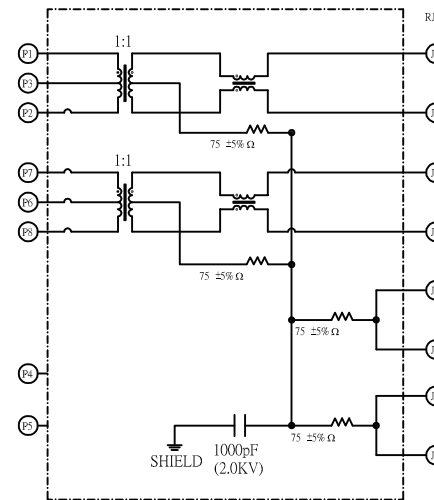


MATERIALS:
PLASTIC HOUSING: ENGINEERING THERMOPLASTIC
 FLAMMABILITY RATING UL 94V-0.
CONTACTS: PHOSPHOR BRONZE
PLATING: GOLD PLATING OVER NICKEL IN CONTACT.
 TIN PLATING OVER NICKEL IN SOLDER AREA.
SHIELD: BRASS PLATING NICKEL ALLOY.



電氣特性:
 Turns Ration (+5%):TX (1CT : 1CT) RX(1CT : 1CT)
 Insertion Loss (dB MAX): 0.3~100 MHz -1.0dB
 Return Loss(dB MIN @100)
 30MHz -18dB
 60MHz -14dB
 80MHz -12dB
 Crosstalk (TX-RX) (dB MIN)
 1MHz ~ 30MHz -40 dB
 30MHz ~ 60MHz -35 dB
 60MHz ~ 100MHz -30 dB
 CMRR TX/RX(dB MIN)
 30MHz -40 dB
 50MHz -35 dB
 100MHz -30dB
 150MHz -20 dB
 Hipot (Vrms MIN) 1500AVC

線路圖

RoHS Compliant

TOLERANCES ARE

MORETHANALL
 PCB CONNECTORS
 Cable ASSEMBLIES

DRAWING BY CY

X, ±

CHECKED BY GENIUS

.X ± 0.38

UNIT / mm

SCALE 1 : 1

.XX ± 0.25

DATE

.XXX ± 0.10

ANG ±

SIZE A4

PJECTION

照片框

ORDER INFORMATION

MJF13T36UL-KX06B3GY24-0808

SERIES

8P8C
 LED1 / LED2
 GREEN / YELLOW
 REAR TAB 3.05mm
 06u" GOLD
 NON EAR

BLACK

煜倫股份有限公司

www.morethanall.com

DESCRIPTION: 10/100 BaseT RJ45