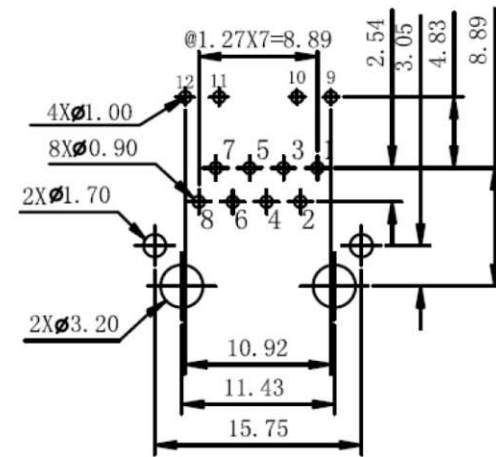
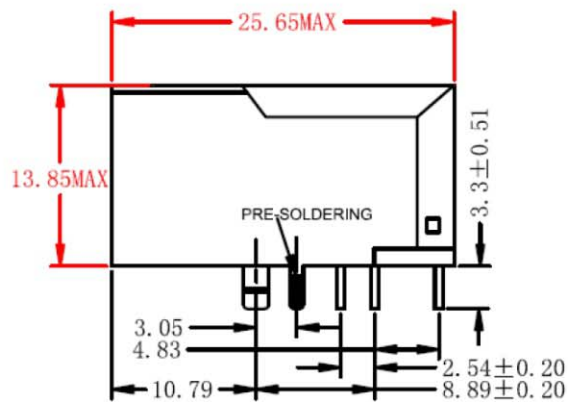
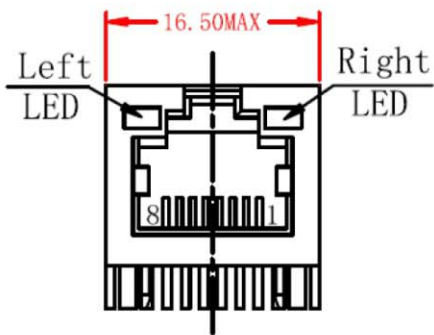


# 一、Mechanical Dimensions



YY:Year WW:Week



PC Board Layout  
Component Side Shown

UNIT:mm Unless otherwise specified, all tolerances are  $\pm 0.25$

**RoHS Compliant**

TOLERANCES ARE

**MORETHANALL**  
PCB CONNECTORS  
Cable ASSEMBLIES

DRAWING BY CY

X.±

CHECKED BY GENIUS

.X±

UNIT / mm

SCALE 1:1

.XX±

DATE

.XXX±

ANG±

照片框

ORDER INFORMATION

MJF13T36UL-KX06B3GY-0808

SERIES

BLACK | 06u" GOLD | NON EAR | 8P8C | LEFT | RIGHT | GREEN / YELLOW | REAR TAB 3.05mm

煜倫股份有限公司

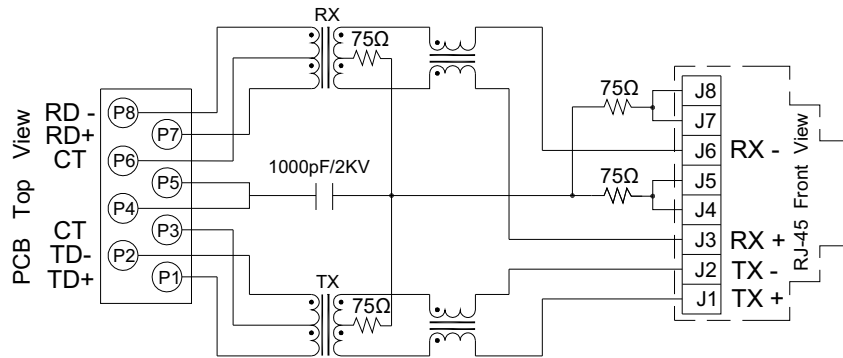
www.morethanall.com

SIZE A4

PPOJECTION

DESCRIPTION: 10/100 BASE-T SINGLE PORT RJ45 JACK MAGNETICS

## 二、Schematics



Standard LED	Wavelength	Forward*V(MAX)	TYP
Green	565nm	2.5v	2.2v
Yellow	585nm	2.5v	2.1v

With a forward current of 20mA

## 三、ELECTRICAL SPECIFICATIONS@25 °C:

1. Turn Ratio( $\pm 5\%$ ): 1CT:1CT
2. OCL(100KHz/0.1V@8mA): 350uH MIN.
3. Insertion Loss(dB TYP):-1.0dB(1-65MHz)
4. Return Loss (dB TYP): -20dB(1-10MHz),-16dB(10-30MHz),-12dB(30-60MHz),  
-10dB(60-80MHz)
5. Crosstalk (dB TYP):-40dB(1-30MHz),-35dB(30-60MHz),-30dB(60-100MHz)
6. CMR(dB TYP):-30dB (1-50MHz),-20dB (50-150MHz)
7. HI-POT(Pri to Sec): 1500Vrms or 2250VDC
8. Operating Temperature: 0°C TO +70°C
9. AUTO MDIX
10. RoHS compliance: YES

RoHS Compliant

TOLERANCES ARE

**MORETHANALL**  
PCB CONNECTORS  
Cable ASSEMBLIES

煜倫股份有限公司

www.morethanall.com

DRAWING BY CY

CHECKED BY GENIUS

UNIT / mm SCALE 1 : 1

DATE

SIZE A4

P PROJECTION

X,  $\pm$

.X  $\pm$

.XX  $\pm$

.XXX  $\pm$

ANG  $\pm$

照片框

ORDER INFORMATION

MJF13T36UL-KX06B3GY-0808

SERIES

BLACK | 06u" GOLD | NON EAR

8P8C

LEFT GREEN / YELLOW

RIGHT REAR TAB 3.05mm

DESCRIPTION: 10/100 BASE-T SINGLE PORT RJ45 JACK MAGNETICS

## 四、Mechanicals

Housing Material:

MATERIAL:NYLON 66 UL94V-0 STANDARD COLOR:BLACK

Insert Material:

MATERIAL:Phos-Bronze C5210 EH---0.35mm Thickness

Insert -PBT GF UL94V-0

1.PLATING(1) NICKEL

2.PLATING(2) 100%Sn

3.PLATING(3) GOLD (3u " ~ 50u " )

Plate Material:

PBT GF UL 94V-0

Contact pin Material:

MATERIAL: Phos-Bronze C5191---0.35mm Thickness

1.PLATING(1) NICKEL

2.PLATING(2) 100%Sn

Shielding Material:

BRASS C2680 PLATING NICKEL

Operating Life:750 Cycles MIN.

## 五、Environmental

1.Storage Temp:-40°C TO +85°C.

2.Operating Temp: 0°C TO +70°C

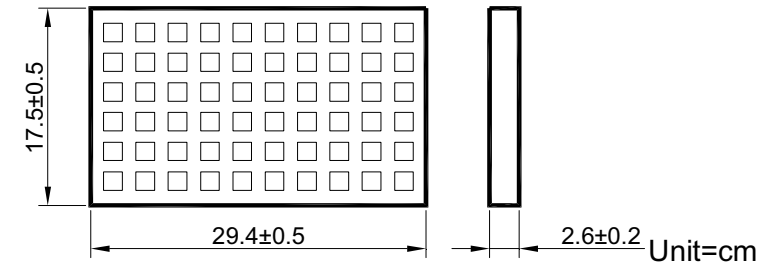
3.MATES WITH MODULAR PLUG CONFORMING TO FCC PART 68,SUBPARTF.

## 六、Packaging

1. packaging unit : 60 PCS/tray

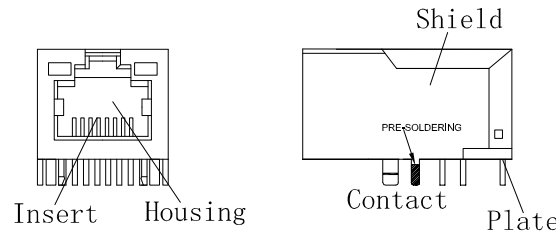
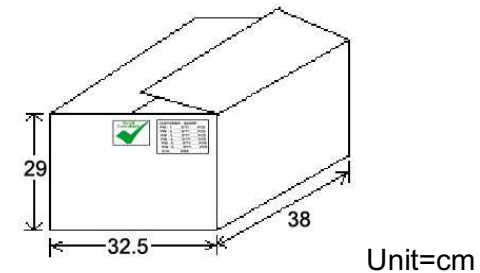
2. packaging material : PET

3. Weight :7.8grams/pcs



4. outer carton unit 1080 pcs/ 18 Trays/box

5. Weight:10.6 kg per carton



**MORETHANALL**  
PCB CONNECTORS  
Cable ASSEMBLIES

煜倫股份有限公司

www.morethanall.com

RoHS Compliant

DRAWING BY CY

CHECKED BY GENIUS

UNIT / mm SCALE 1 : 1

DATE

SIZE A4

TOLERANCES ARE

X. ±

.X ±

.XX ±

.XXX ±

ANG ±

PPOJECTION

照片框

ORDER INFORMATION

MJF13T36UL-KX06B3GY-0808

SERIES

BLACK

06u" GOLD

NON EAR

REAR TAB 3.05mm

GREEN /YELLOW

LEFT

RIGHT

8P8C

DESCRIPTION: 10/100 BASE-T SINGLE PORT RJ45 JACK MAGNETICS