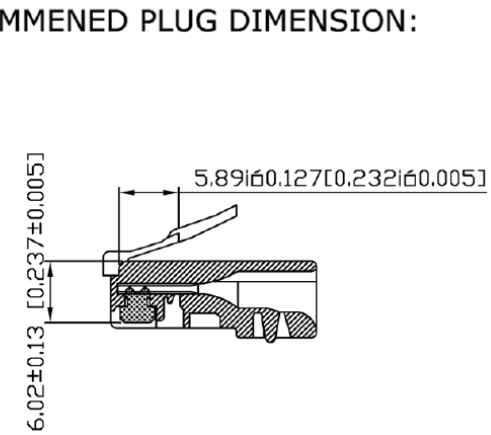
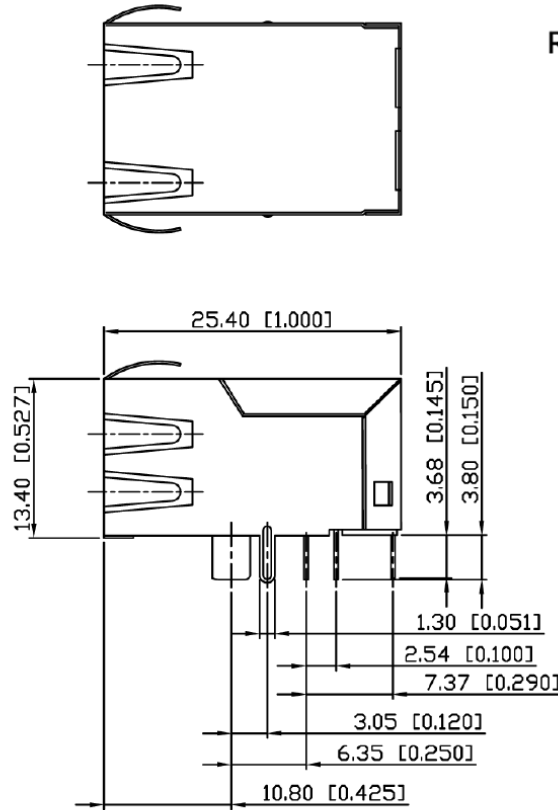
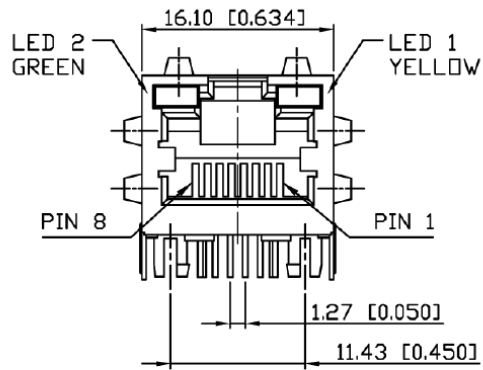


1. MECHANICAL DIMENSIONS :



NOTES:

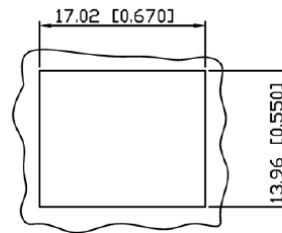
1. MATERIAL:

HOUSING-PBT POLYESTER UL94V-0
 MIXED GLASS FIBER.
 STANDARD COLOR-BLACK
 CONTACTS-0.35mm THICK PHOS-BRONZE PLATED
 WITH 6u" GOLD AND TIN IN
 SOLDER AREA.
 SHIELD-0.20mm THICK COPPER ALLOY,
 PLATED WITH NICKEL.

2. OPERATING TEMPERATURE : 0°C-70°C

3. CAVITY CONFORMS TO FCC RULES AND REGULATIONS
 PART 68,SUBPART F.

4. UNSPECIFIED TOLERANCE: .XX ±0.25
 .X ±0.30



RECOMMENDED
 PANEL CUTOUT DIMENSION

RoHS Compliant

TOLERANCES ARE

MORETHANALL
 PCB CONNECTORS
 Cable ASSEMBLIES

DRAWING BY CY

CHECKED BY GENIUS

UNIT / mm

SCALE 1 : 1

DATE

SIZE A4

X, ±
 .X ± 0.30
 .XX ± 0.25
 .XXX ±
 ANG ±

PJECTION

照片框

ORDER INFORMATION

MJF13T36UL-KF06B3GY-0808

SERIES

06u" GOLD
 FULL SPRING
 BLACK

8P8C

LED1 / LED2

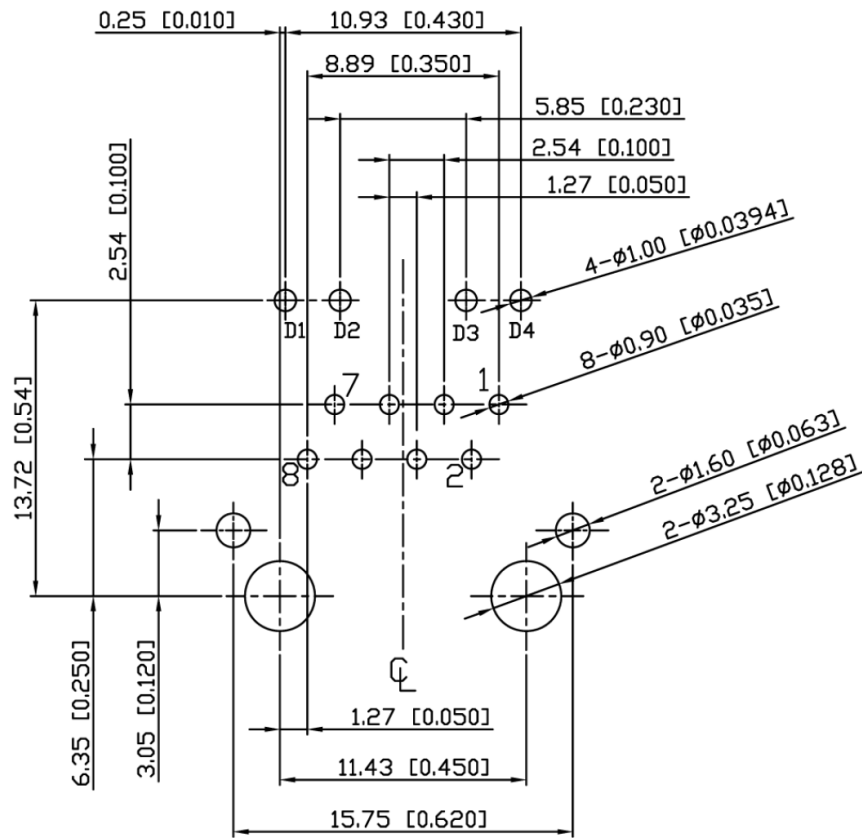
GY:GREEN / YELLOW
 REAR TAB 3.05mm

煜倫股份有限公司

www.morethanall.com

DESCRIPTION:

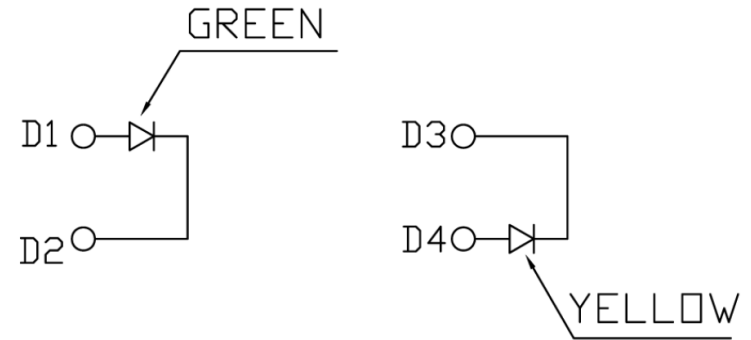
2. PCB LAYOUT :



SUGGESTED PCB LAYOUT
(TOP VIEW)

△ DIMENSIONAL TOLERANCE: .XX ±0.08[0.003]

3. LED CONFIGURATION :



RoHS Compliant

TOLERANCES ARE

MORETHANALL
PCB CONNECTORS
Cable ASSEMBLIES

DRAWING BY CY

X. ±

CHECKED BY GENIUS

.X ± 0.30

UNIT / mm

SCALE 1 : 1

.XX ± 0.25

DATE

.XXX ±

ANG ±

照片框

ORDER INFORMATION

MJF13T36UL-KF06B3GY-0808

SERIES

06u" GOLD
FULL SPRING
BLACK

8P8C

LED1 / LED2
GY:GREEN / YELLOW
REAR TAB 3.05mm

煜倫股份有限公司

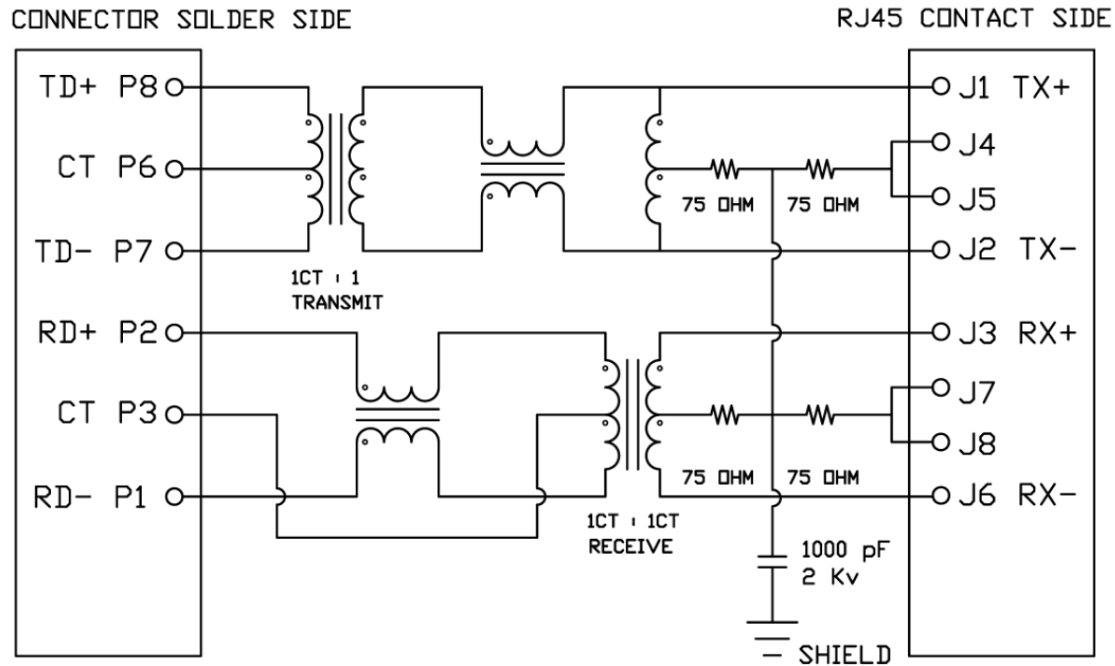
www.morethanall.com

SIZE A4

PJECTION

DESCRIPTION:

4. SCHEMATIC :



5. ELECTRICAL CHARACTERISTICS :

TEST NOTES:($25 \pm 5^\circ\text{C}$)

- 1.TR:(100KHz,0.1V);
PINS:(P8-P7):(J1-J2)= $1:1 \pm 3\%$
PINS:(P2-P1):(J3-J6)= $1:1 \pm 3\%$
- 2.LX:(100KHz,100mV,8mA, DC Bias)
PINS: (P8,P7),(P2,P1)=350uH MINIMUM
- 3.DCR:
PINS:(J1-J2),(J3-J6)= 1.2 OHMS MAXIMUM
- 4.HIPOT:
PINS(P8,P6,P7)TO(J1,J2)=1500VAC FOR 60 SECONDS
PINS(P2,P3,P1)TO(J3,J6)=1500VAC FOR 60 SECONDS
- 5.INSERTION LOSS:
-1.0dB MAXIMUM AT 0.3MHz TO 100MHz;
- 6.RETURN LOSS:
-20dB MINIMUM AT 1MHz TO 30MHz;
-15dB MINIMUM AT 30MHz TO 60MHz
-10dB MINIMUM AT 60MHz TO 80MHz
- 7.CROSS TALK:
-30dB MINIMUM AT 1MHz TO 100MHz
- 8.COMMON TO COMMON MODE REJECTION:
-30dB MINIMUM AT 1MHz TO 100MHz

RoHS Compliant

TOLERANCES ARE

MORETHANALL
PCB CONNECTORS
Cable ASSEMBLIES

DRAWING BY CY

CHECKED BY GENIUS

UNIT / mm SCALE 1 : 1

DATE

SIZE A4

X, ±
.X ± 0.30
.XX ± 0.25
.XXX ±
ANG ±

P PROJECTION

照片框

ORDER INFORMATION

MJF13T36UL-KF06B3GY-0808

SERIES

06u" GOLD
FULL SPRING
BLACK

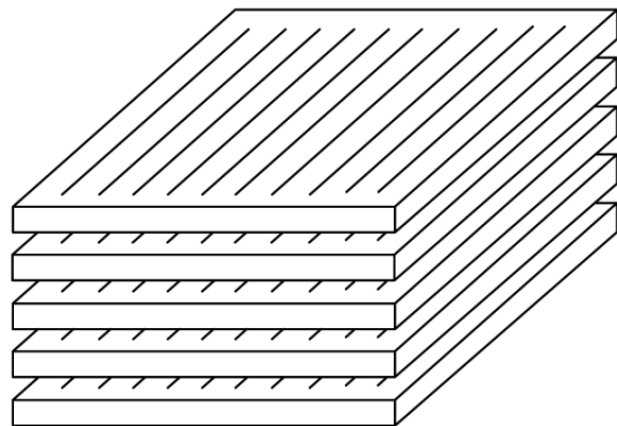
8P8C

LED1 / LED2
GY:GREEN / YELLOW
REAR TAB 3.05mm

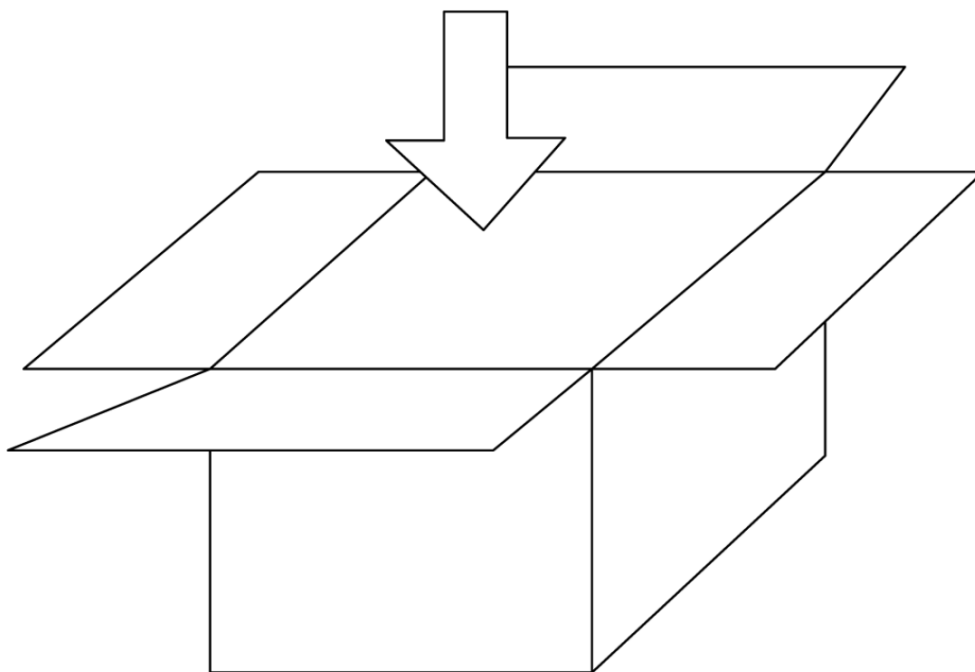
煜倫股份有限公司

www.morethanall.com

DESCRIPTION:



每盤120pcs(真空包裝)
每箱5盤 共600pcs



330mm x 330mm x 190mm
淨重4.5KG 毛重6KG

RoHS Compliant

TOLERANCES ARE

MORETHANALL
PCB CONNECTORS
Cable ASSEMBLIES

煜倫股份有限公司

www.morethanall.com

DRAWING BY CY

CHECKED BY GENIUS

UNIT / mm

SCALE 1 : 1

DATE

SIZE A4

X, ±
.X ± 0.30
.XX ± 0.25
.XXX ±
ANG ±

PJECTION

照片框

ORDER INFORMATION

MJF13T36UL-KF06B3GY-0808

SERIES

06u" GOLD
FULL SPRING
BLACK

8P8C

LED1 / LED2

GY:GREEN / YELLOW

REAR TAB 3.05mm

DESCRIPTION: