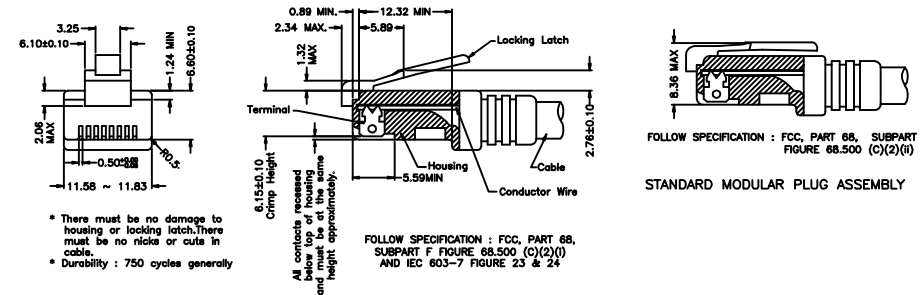
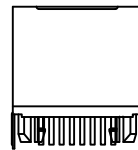
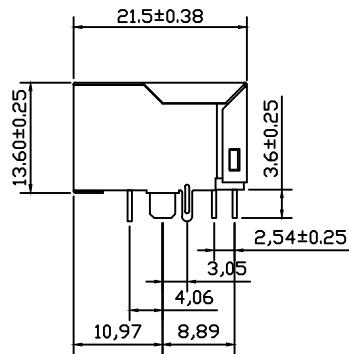
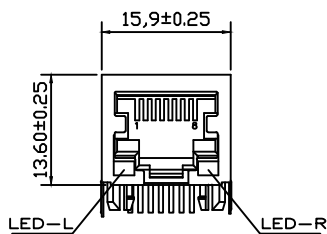


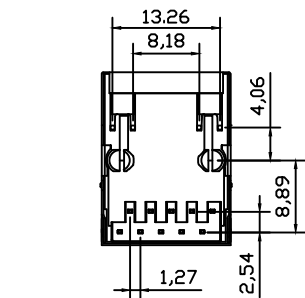
PCB Layout

NOTE:

- 1.Shielded - 0.20mm THICKNESS BRASS C2680 H. PLATING NICKEL 20u"-40u".
- 2.Housing- Standard Material Nylon66,Glass Filled Polyester UL94V-0 Standed Color Black.
- 3.RJ Terminal- Plastic:Nylon66, UL94V-0,Standard Color Black. Pin:0.35mm Thickness Phos-Bronze C5210 EH. Plating:Nickel40u"~60u" for all and Sn 100% ,and Gold Plating.
- 4.Input Terminal- Nylon66,Glass Filled,UL94V-0, Standard Color Black. Pin:0.35mm SUS430. Plating:Nickel40u"~60u" for all and Sn 100%.



FOLLOW SPECIFICATION : FCC, PART 68, SUBPART F FIGURE 68.500 (C)(2)(I) STANDARD MODULAR PLUG ASSEMBLY



Code	RJ45 Plating			LED Code			
	Contact Area	Solder tail	Under plating	Left LFD		Right LED	
06	6μ" gold	150μ" Tin Min.	50μ" Nickel	+9,-10	+9,-10	+11,-12	-11,+12
				Yellow	-	Green	-

RoHS Compliant

TOLERANCES ARE

**MORETHANALL**  
PCB CONNECTORS  
Cable ASSEMBLIES

煜倫股份有限公司

www.morethanall.com

DRAWING BY CY

CHECKED BY GENIUS

UNIT / mm SCALE 1 : 1

DATE

SIZE A4 PPROJECTION

X, ±  
.X ± 0.25  
.XX ± 0.15  
.XXX ± 0.10  
ANG ± 5°

照片框

ORDER INFORMATION

MJF13T36L-KX06B3YG-0808

SERIES

NON EAR

06u" GOLD

BLACK

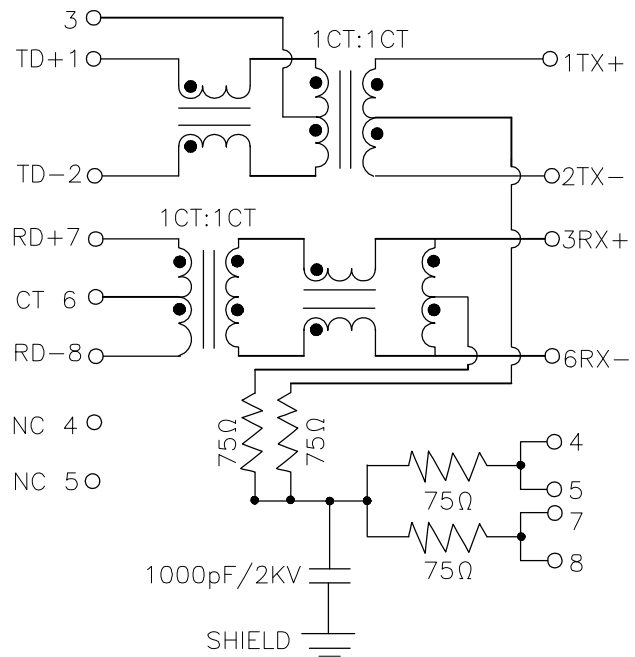
8P8C

LED L / LED R

YG:YELLOW / GREEN  
REAR TAB 3.05mm

DESCRIPTION:

# Schematic



Standard LED	Wavelength	Forward*V(MAX)	TYP
Hsffo	676nm	3/6w	3/3w
Zfmpx	676nm	3/6w	3/2w

With a forward current of 20mA

## Electrical Specifications @25°C

Turns Ratio (±2%)		DCL (uH Min.) @100 KHz/0.1V with 8mA DC Bias	Cross talk (dB Min.)				HI-PDT Vrms (VDC) 1.0 mA
TX	RX		0.5-10 MHz	30 MHz	50 MHz	100 MHz	
1CT:1CT	1CT:1CT	350	-50	-40	-35	-30	1500 (2250)

## Continue

Insertion Loss (dB Max.)	Return Loss (dB Min.) @ Load 100 OHM				DCMR (dB Min.)		
	1-100 MHz	1-30 MHz	40 MHz	50 MHz	60-80 MHz	1-30 MHz	30-60 MHz
-1.0	-19	-16	-14.08	-11.5	-40	-35	-30

RoHS Compliant

TOLERANCES ARE

**MORETHANALL**  
PCB CONNECTORS  
Cable ASSEMBLIES

煜倫股份有限公司

www.morethanall.com

DRAWING BY CY

CHECKED BY GENIUS

UNIT / mm SCALE 1:1

DATE

SIZE A4

X, ±  
.X ± 0.25  
.XX ± 0.15  
.XXX ± 0.10  
ANG ±

PJECTION

照片框

## ORDER INFORMATION

MJF13T36L-KX06B3YG-0808

SERIES

06u" GOLD  
NON EAR  
BLACK

8P8C

LED L / LED R  
YG:YELLOW / GREEN  
REAR TAB 3.05mm

DESCRIPTION: