

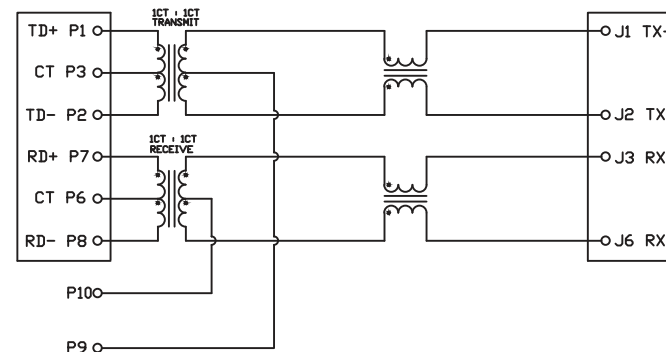
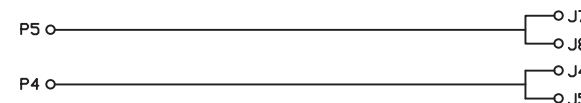
**MATERIALS:**

PLASTIC HOUSING: HIGH TEMP THERMOPLASTIC  
FLAMMABILITY RATING UL 94V-0.

CONTACTS: PHOSPHOR BRONZE

PLATING: GOLD PLATING OVER NICKEL IN CONTACT.  
TIN PLATING OVER NICKEL IN SOLDER AREA.

SHIELD: BRASS PLATING NICKEL ALLOY.



**Electrical:**

- 1.Voltage Rating:125 Vac Rms.
- 2.Current Rating:1.5 Amp.
- 3.Contact Resistance:40 Milliohms Max.
- 4.Insulation Resistance:1000 Megohms Min @500 Vdc.
- 5.Dielectric Strength:1000 Vac Rms 60Hz, 1Min.

**Mechanical:**

- 1.Operating:750 Cycles Min.

**Environmental:**

- 1.Storage:-40°C To +85°C.
- 2.Operation:-20°C To +75°C.

Mates With Modular Plug Conforming To FCC Part 68, Subpart F.

**RoHS Compliant**

TOLERANCES ARE



煜倫股份有限公司

www.morethanall.com

DRAWING BY CY

CHECKED BY GENIUS

UNIT / mm SCALE 1:1

DATE

SIZE A4

X. ± 0.50  
X. ± 0.38  
.XX ± 0.25  
.XXX ± 0.10  
ANG ±

PJECTION

照片框

**ORDER INFORMATION**

MJF13T36L-KX06B3GY43-0808

SERIES

8P8C  
GREEN / YELLOW  
REAR TAB 3.05mm  
06u" GOLD  
NON EAR  
BLACK

DESCRIPTION: