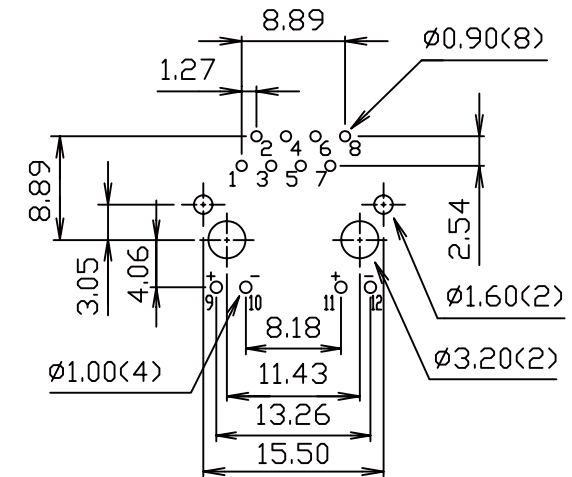


**DETAIL Y**

- MATERIALS:
- HOUSING-PBT POLYESTER UL94V-0 MIXED GLASS FIBER. STANDARD COLOR-BLACK.
  - CONTACTS-0.35mm THICK PHOS-BRONZE PLATED WITH HARD GOLD AND TIN/LEAD IN SOLDER AREA.
  - SHIELD-0.25mm THICK COPPER ALLOY, PLATED WITH NICKEL.

CAVITY CONFIRMS TO FCC RULES AND REGULATIONS PART 68,SUBPART F.

Operation Temperature : -40°C to + 105°C



PC Board Layout Ref.

**RoHS Compliant**

TOLERANCES ARE

**MORETHANALL**  
PCB CONNECTORS  
Cable ASSEMBLIES

DRAWING BY CY

X, ±

CHECKED BY GENIUS

.X ± 0.20

UNIT / mm

SCALE 1 : 1

.XX ± 0.10

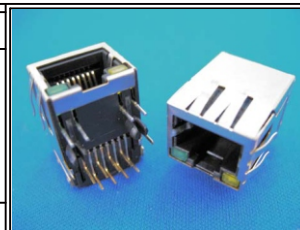
DATE

.XXX ±

ANG ±

SIZE A4

P PROJECTION



**ORDER INFORMATION**

**MJF13T36L-KF06B3xx-0808-LF**

SERIES

BLACK

FULL SPRING

06u" GOLD

LEADFREE

8P8C

LED 1 / LED2

GY: GREEN / YELLOW

YG: YELLOW / GREEN

REAR TAB 3.05mm

**煜倫股份有限公司**

[www.morethanall.com](http://www.morethanall.com)

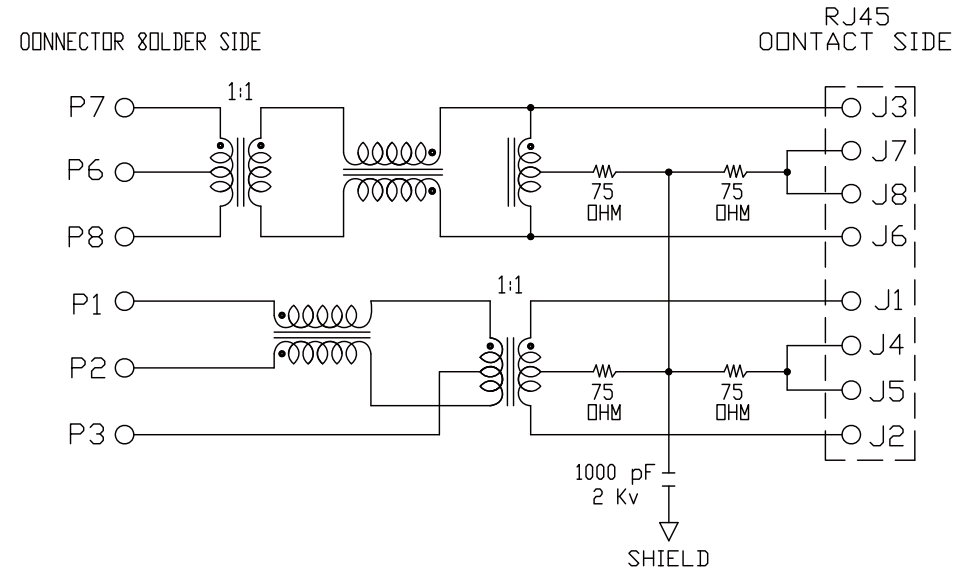
DESCRIPTION: SINGLE PORT, RJ45, SHIELDED, WITH LED WITH TRANSFORMER, SIDE ENTRY PCB JACK

# TRANSFORMER TYPE 3

Specification :

Item	Parameter	Condition	Min.	Typ.	Max.	Unit	REMARK
1	Insertion loss	1-100 MHz			-1	dB	
2	Return loss	1-30 MHz	-16			dB	NOTE 1
		30-60 MHz				dB	
		60-80 MHz	-10			dB	
3	DCL	100 KHz	350			μH	
4	Crosstalk	1-100 MHz	-35			dB	
5	Hipot	V <sub>rms</sub>	1.5			kV	
6	Turns Ratio (Chip : Cable)	TX: 1 : 1 RX: 1 : 1				CT	
7	Direct Current resistance					Ω	

\*NOTE 1: Greater than  $(16-20 \text{ Log } (f/30\text{MHz}))$  dB.



**RoHS Compliant**

TOLERANCES ARE

**MORETHANALL**  
PCB CONNECTORS  
Cable ASSEMBLIES

DRAWING BY CY

X. ±  
.X ± 0.20

CHECKED BY GENIUS

.XX ± 0.10

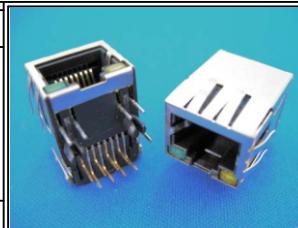
UNIT / mm SCALE 1 : 1

.XXX ±  
ANG ±

DATE

SIZE A4

PJECTION



**ORDER INFORMATION**

**MJF13T36L-KF06B3xx-0808-LF**

SERIES | | | | LEADFREE  
BLACK | | | | 8P8C  
FULL SPRING | | | | LED 1 / LED2  
06u" GOLD | | | | GY: GREEN / YELLOW  
REAR TAB 3.05mm | | | | YG: YELLOW / GREEN

DESCRIPTION: TRANSFORMER TYPE 3 SPECIFICATION

煜倫股份有限公司

www.morethanall.com