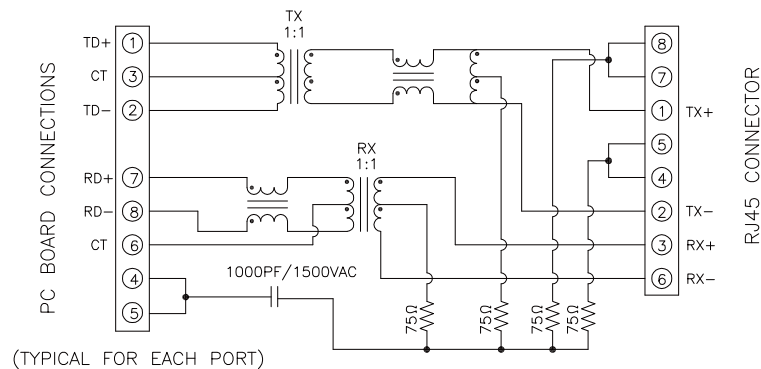


Schematic:



NOTES:

Characteristics Description:

1. RJ45 10/100 Base-Tx Transformer Jack With Transformer/ Impedance Resistor/High Voltage Capacitor.
2. Size Same As RJ-45 Modular Jack To Save PCB Board Space.
3. Reduce EMI Radiation, Improve EMI Performance.
4. Designed For Network Interface Card Application.
5. Designed To Meet IEEE 802.3u Requirement.
6. Designed For 100 Base Transmission over UTP-5 Cable.
7. Operation Temperature Range: 0°c To 70°c

Electrical Specification:

1. Inductance At 100 KHZ, 100 mV DC Bias: 350 uH MIN
2. C W/W (PF MAX): 40 PF
3. Leakage Inductance At 100 KHZ DC 100 mV: 0.3 uH MAX
4. Insertion Loss: 1.0 dB MAX @ 1-80 MHZ
1.2 dB MAX @ 100 MHZ
5. Return Loss: 14 dB MIN @ 1-60 MHZ
10 dB MIN @ 60-100 MHZ
6. Cross Talk: 35 dB MIN @ 1-80 MHZ

Mechanical:

1. Housing Material : Glass Filled Polyester UL94V-0.
2. Contact Mateial : Phosphor Bronze t=0.35mm.
3. Plating : 1:Contact Area- Selectine Gold Plating,
2:Tails- 150u” Tin-Lead Min Over 50u” Nickel.
4. Operating Life : 750 Cycles Min.
5. Pcb Retention Pre-Solder : 1 Lb Min.
6. Pcb Retention Post-Solder : 10 Lbs Min.

Environmental:

1. Storage : -40°c To+85°c.

Mates With Modular Plug Conforming To Fcc Part 68, Subpart F.

RoHS Compliant

TOLERANCES ARE



DRAWING BY CY

X, ±

CHECKED BY GENIUS

.X ±

UNIT / mm SCALE 1 : 1

.XXX ±

DATE

ANG ±

SIZE A4

P PROJECTION

照片框

ORDER INFORMATION

MJF13T36L-KF06B3xx43-0808

SERIES

8P8C

GY:GREEN / YELLOW

YG:YELLOW / GREEN

BLACK

REAR TAB 3.05mm

06u" GOLD

FULL SPRING

煜倫股份有限公司

www.morethanall.com

DESCRIPTION: Tr's LED JACK(1X1,Amphenol)