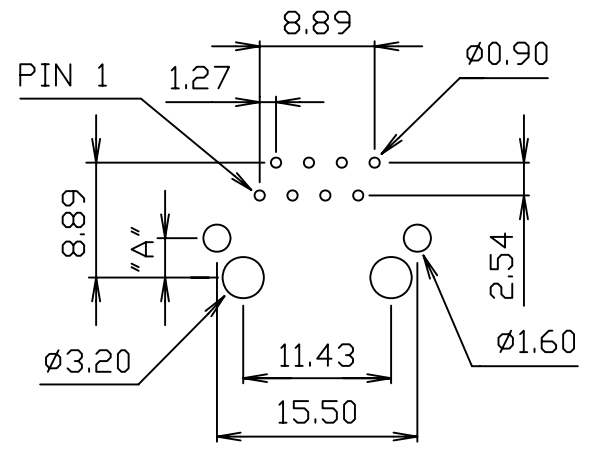


MATERIAL: • HOUSING-PBT POLYESTER UL94V-0  
 MIXED GLASS FIBER.  
 STANDARD COLOR-BLACK  
 • CONTACTS-0.35mm THICK PHOS-BRONZE  
 WITH HARD GOLD AND TIN/LEAD  
 PLATED IN SOLDER AREA.  
 • SHIELD-0.25mm THICK COPPER ALLOY,  
 PLATED WITH NICKEL.  
 CAVITY CONFIRMS TO FCC RULES AND REGULATIONS  
 PART 68,SUBPART F.



PC Board Layout

RoHS Compliant



PART NO. MJF13T36-KX06B3-0808

DWG NO. MJF13T36-KX06B3-0808

FILE NO.

UNIT / mm

SCALE 1:1

CHECKED BY CY

DRAWING BY

PROJECTION

TOLERANCES ARE  
 .X ± 0.2  
 .XX ±  
 .XXX ±  
 AWG

DESCRIPTION:  
 AREA

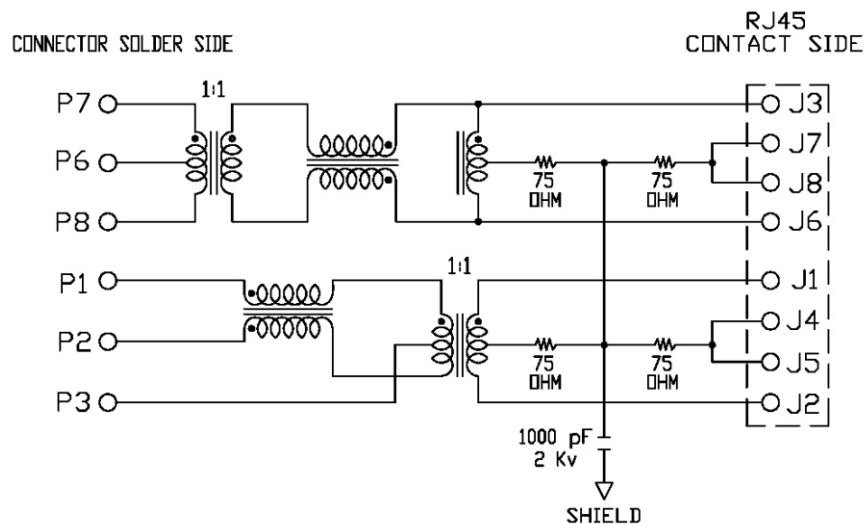
8POSITION SHIELDED FLAT PIN  
 WITH TRANSFORMER, SIDE ENTRY PCB JACK  
 REVISIONS  
 HK  
 DATE

焜倫股份有限公司

Specification :

Item	Parameter	Condition	Min.	Typ.	Max.	Unit	REMARK
1	Insertion loss	1-100 MHz			-1	dB	
2	Return loss	1-30 MHz	-16			dB	NOTE 1
		30-60 MHz				dB	
		60-80 MHz	-10			dB	
3	QCL	100 KHz	350			μH	
4	Crosstalk	1-100 MHz	-35			dB	
5	Hipot	Vrms	1.5			kV	
6	Turns Ratio (Chip : Cable)	TX: 1 : 1 RX: 1 : 1				CT	
7	Direct Current resistance					Ω	

\*NOTE 1: Greater than  $(16-20 \text{ Log } (f/30\text{MHz}))$  dB.



CONNECTOR SCHEMATIC



PART NO. MJF13T36-KX06B3-0808

DWG NO. MJF13T36-KX06B3-0808

CHECKED BY CY

TOLERANCES ARE

DESCRIPTION:

FILE NO.

DRAWING BY

.X ± 0.2  
.XX ±  
.XXX ±  
AWG

AREA

REVISIONS

HK

DATE

煜倫股份有限公司

UNIT / mm

SCALE 1:1

PROJECTION

