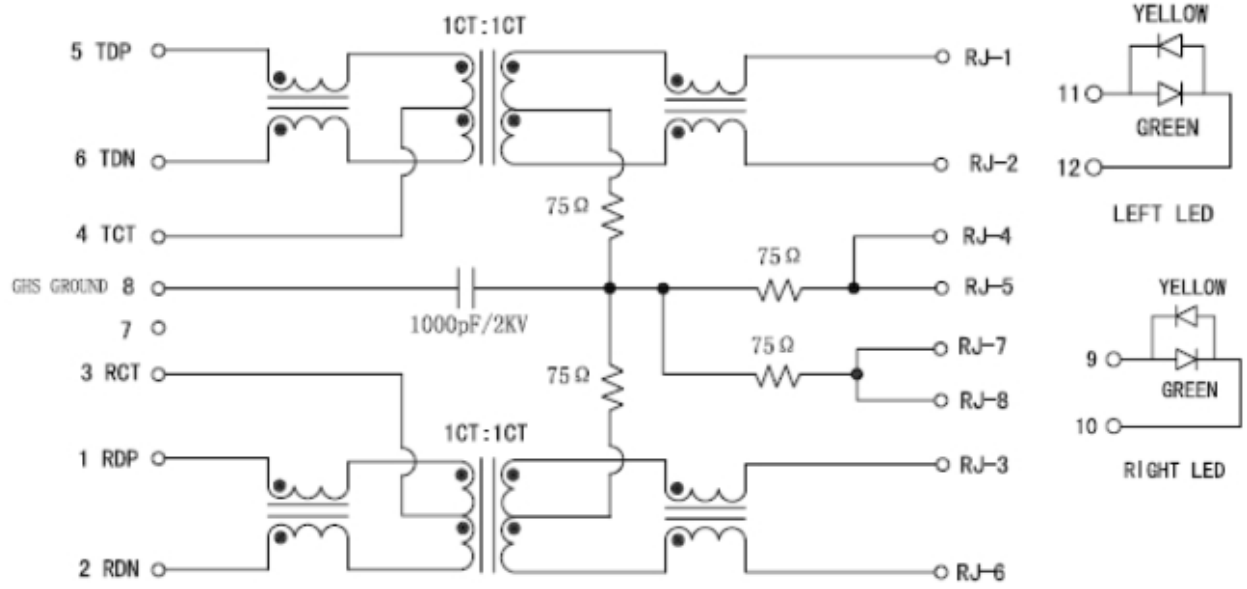


ELECTRICAL CHARACTERISTIC @25°C :

1. Turns Ratio:
TX=1CT:1CT RX=1CT:1CT
2. Inductance:
350uH MIN@100KHz, 0.1V, 8mA DC BIAS.
3. Cross Talk (Min):
0.3-80MHZ: -30 dB
4. Return Loss (Min):
1-30MHz: -18dB
40MHz: -16 dB
50MHz: -14dB
60-80MHz: - 12dB
5. Insertion Loss (Max):
0.3-65MHz: -1.2dB
6. Isolation Voltage : 1500V
7. Operating Temperature: 0°C~70°C

SCHEMATIC DRAWING :



PART NO. MJF13T34UL-KF06B3GYGY24-0808

DWG NO. MJF13T34UL-KF06B3GYGY24-0808

CHECKED BY CY

TOLERANCES ARE

DESCRIP TION:

FILE NO.

DRAWING BY

.X ± 0.2
.XX ± 0.1
.XXX ±

AREA REVISIONS HK DATE

煜倫股份有限公司

UNIT / mm

SCALE 1:1

PROJECTION

AWG