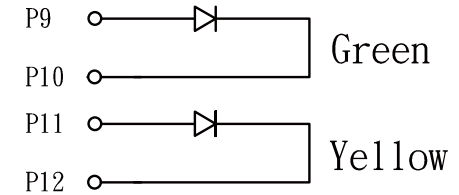


RECOMMENDED P.C.B LAYOUT
TOP VIEW (COMPONENT SIDE)

Dimensions Tolerance:
All PCB LAYOUT
Tolerances: $\pm 0.05 [0.002]$

MATERIALS

1. HOUSING: GLASS FILLED PA46(BLACK) UL94V-0(ROHS)
2. CONTACT: PHOSPHOR BRONZE, 50-100 MICROINCHES MIN. OVERALL DUCTILE NICKEL UNDERPLATE WITH SELECTED 30 MICROINCHES GOLD AT MATING INTERFACE
3. SHIELD: 0.2mm THICKNESS WITH BRASS.
4. JACK CAVITY CONFORMS TO FCC RULES AND REGULATIONS PART 68 SUBPART F
5. THE PART IS RECOMMENDED FOR WAVE SOLDERING PROCESS PEAK SOLDERING TEMPERATURE IS 260°C MAX, 10 SECS MAX.
6. OPERATING TEMPERATURE: -40°C TO +85°C.
STORAGE TEMPERATURE: -40°C TO +85°C.



LED SPECIFICATION			
STANDARD LED	WAVELENGTH	Forward V(max)	TYP
GREEN	565nm	2.4V	2.2V
YELLOW	590nm	2.5V	2.1V

*WITH A FORWARD CURRENT OF 20mA

MORETHANALL
PCB CONNECTORS
Cable ASSEMBLIES

煜倫股份有限公司

www.morethanall.com

RoHS Compliant

DRAWING BY CY

CHECKED BY GENIUS

UNIT / mm SCALE 1 : 1

DATE

SIZE A4

TOLERANCES ARE

X, \pm
X ± 0.25
.XX ± 0.15
.XXX ± 0.05
ANG \pm

PJECTION

照片框

ORDER INFORMATION

MJF13T34UL-KF06B3GY24-0808

SERIES

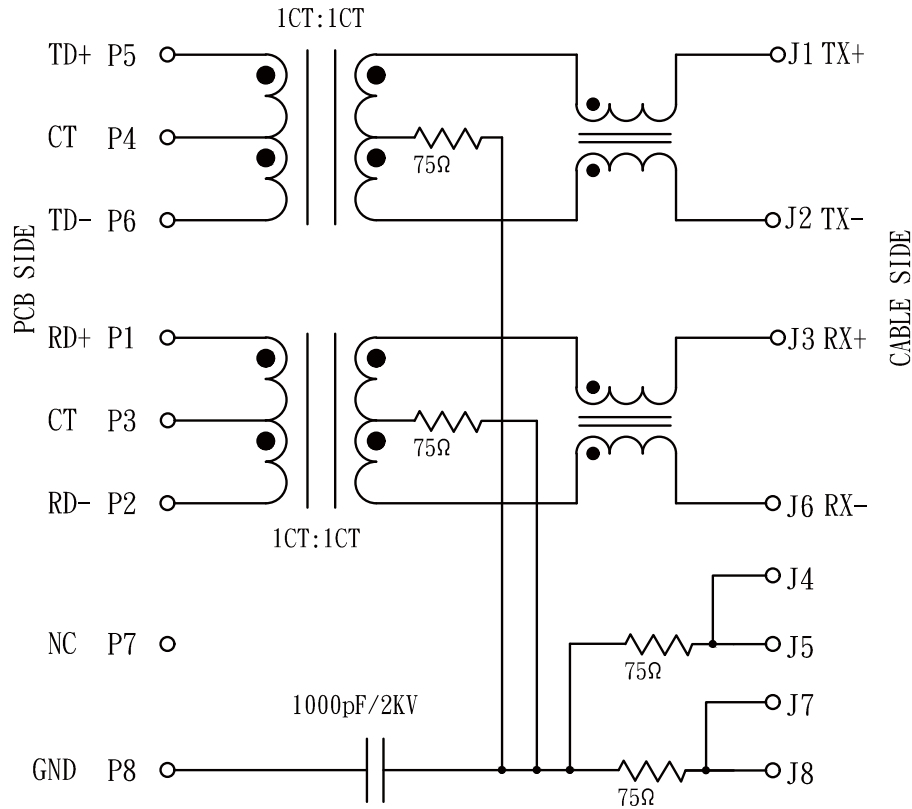
06u" GOLD
FULL SPRING
BLACK

8P8C

LED1 / LED2
GY: GREEN / YELLOW
REAR TAB 3.05mm

DESCRIPTION:

Schematic



PARAMETER	SPECIFICATIONS
OPERATING TEMPERATURE	-40°C To +85°C
URNS RATIO	1:1±2%
INDUCTANCE(OCL)	350uH MIN@100KHz/100mV With 8mA DC Bias
INSERTION LOSS	-1.0dB MAX@0.3MHz-100MHz;
RETURN LOSS (Z out=100 OHM)	-18dB MIN@1MHz-30MHz; -16dB MIN@30MHz-60MHz; -12dB MIN@60MHz-80MHz;-10dB MIN@80MHz-100MHz;
CROSSTALK (ADJACENT CHANNELS)	-30dB MIN@1MHz-100MHz;
COMMON MODE REJECTION RATIO	-30dB MIN@1MHz-100MHz;
HI-POT	2250 VDC@60 SECONDS

RoHS Compliant

TOLERANCES ARE

MORETHANALL
PCB CONNECTORS
Cable ASSEMBLIES

DRAWING BY CY

CHECKED BY GENIUS

UNIT / mm

SCALE 1 : 1

DATE

SIZE A4

PJECTION

X. ±
.X ± 0.25
.XX ± 0.15
.XXX ± 0.05
ANG ±

照片框

ORDER INFORMATION

MJF13T34UL-KF06B3GY24-0808

SERIES

06u" GOLD
FULL SPRING
BLACK

8P8C

LED1 / LED2
GY: GREEN / YELLOW
REAR TAB 3.05mm

煜倫股份有限公司

www.morethanall.com

DESCRIPTION: