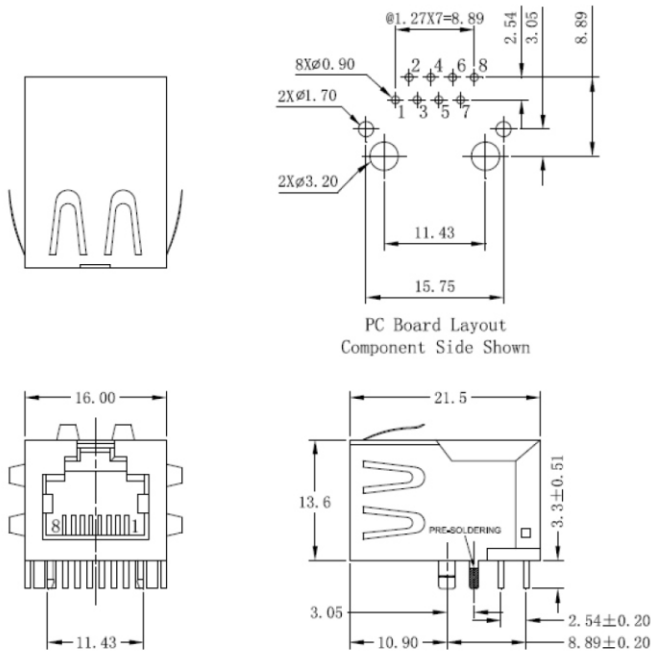
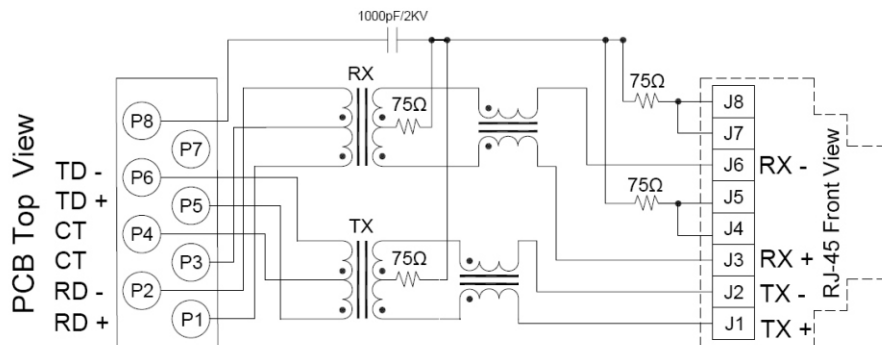


一、Mechanical Dimensions



Unit: mm Unless otherwise specified, all tolerances are ± 0.25

二、Schematics



三、ELECTRICAL SPECIFICATIONS@25°C:

1. Turn Ratio($\pm 5\%$): 1CT:1CT
2. Inductance(100KHz/0.1V@8mA): 350uH MIN
3. Insertion Loss(dB MAX): -1.1dB(0.5-100MHz)
4. Return Loss(dB MIN): -18dB(0.5-30MHz), -18+20log(f/30MHz)dB(30-60MHz), -12dB(60-80MHz)
5. Cross talk(dB MIN): -35dB(0.5-40MHz), -33+20log(f/50MHz)dB(40-100MHz)
6. CMR(dB MIN): -30dB(0.5-100MHz)
7. HI-POT(Pri to Sec): 1500Vrms/0.5mA/60sec or 1650Vrms/0.5mA/2sec
8. Operating Temperature:-40°C TO +85°C
9. RoHS compliance: YES

RoHS Compliant

MORETHANALL
CONNECTORS
ASSEMBLIES

PART NO. MJF13T34U-KF06B3-0808

DWG NO. MJF13T34U-KF06B3-0808

CHECKED BY CY

TOLERANCES ARE

DESCRIP TION:

FILE NO.

DRAWING BY

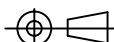
.X \pm 0.2
.XX \pm
.XXX \pm
AWG

煜倫股份有限公司

UNIT / mm

SCALE 1:1

PROJECTION



AREA

REVISIONS

HK

DATE

四、Mechanicals

Housing Material:

MATERIAL:NYLON GF (Fr50) UL94V-0 STANDARD COLOR:BLACK

Insert Material:

MATERIAL:Phos-Bronze C5210 EH---0.35mm Thickness

Insert -PBT GF UL94V-0

1.PLATING(1) NICKEL

2.PLATING(2) 100%Sn

3.PLATING(3) GOLD (3u " ~50u ")

Plate Material:

PBT GF UL 94V-0

Contact pin Material:

MATERIAL: Phos-Bronze C5191---0.35mm Thickness

1.PLATING(1) NICKEL

2.PLATING(2) 100%Sn

Shielding Material:

BRASS C2680 PLATING NICKEL

Operating Life:750 Cycles MIN.

五、Environmental

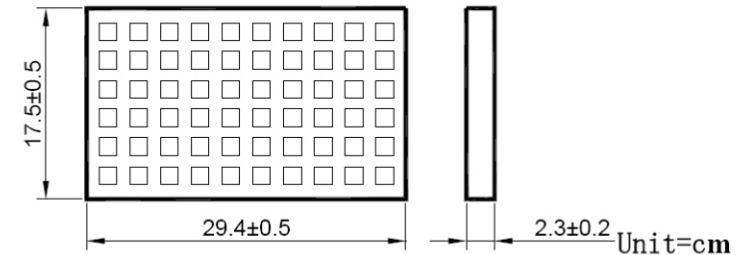
1.Storage Temp:-40°C TO +85°C.

2.Operating Temp: -40°C TO +85°C

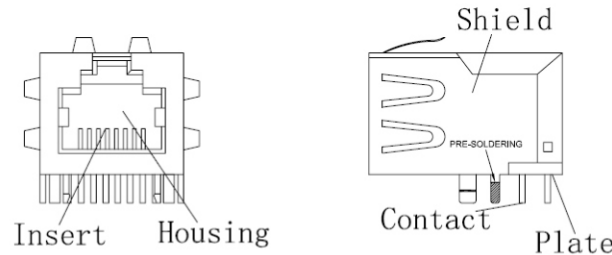
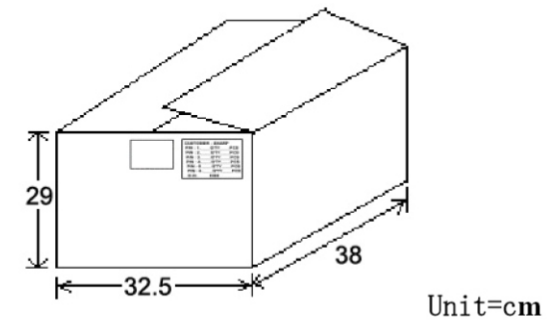
3. MATES WITH MODULAR PLUG CONFORMING TO FCC PART 68,SUBPARTE.

六、Packaging

1. packaging unit : 60 PCS/tray
2. packaging material : PET



3. outer carton unit: 1320 pcs/ 22 Trays/box



MORETHANALL
CONNECTORS
ASSEMBLIES

PART NO. MJF13T34U-KF06B3-0808

DWG NO. MJF13T34U-KF06B3-0808

CHECKED BY CY

TOLERANCES ARE

DESCRIP TION:

FILE NO.

DRAWING BY

.X ± 0.2
.XX ±
.XXX ±
AWG

AREA

REVISIONS

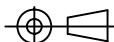
HK

DATE

UNIT / mm

SCALE 1:1

PROJECTION



煜倫股份有限公司