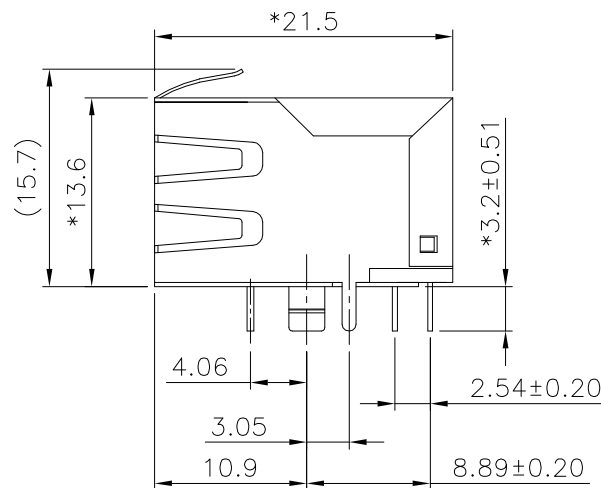
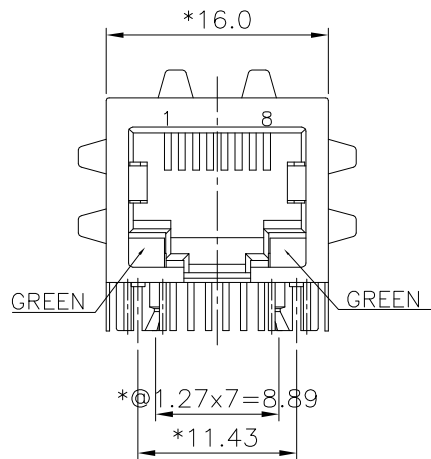


PCB Layout  $t=1.60\text{mm}$   
Component Side Shown



**NOTES:**

**Characteristics Description:**

1. RJ45 10/100 Base-Tx Transformer Jack With Transformer/ Impedance Resistor/High Voltage Capacitor.
2. Size Same As RJ-45 Modular Jack To Save PCB Board Space.
3. Reduce EMI Radiation, Improve EMI Performance.
4. Designed For Network Interface Card Application.
5. Designed To Meet IEEE 802.3u Requirement.
6. Designed For 100 Base Transmission over UTP-5 Cable.
7. Operation Temperature Range:  $-40^{\circ}\text{C}$  To  $+85^{\circ}\text{C}$

**Electrical Specification:**

1. Inductance At 100 KHZ, 100 mV, 8mA DC Bias: 350 uH MIN
2. C W/W (PF MAX): 40 PF
3. Leakage Inductance At 100 KHZ DC 100 mV: 0.3 uH MAX
4. Insertion Loss: 1.1 dB MAX @ 1-100 MHZ
5. Return Loss: 18 dB MIN @ 0.1-15MHZ  
18 dB MIN @ 15.1-60 MHZ  
15 dB MIN @ 60.1-80 MHZ  
12 dB MIN @ 80.1-100 MHZ
6. Cross Talk: 35 dB MIN @ 1-80 MHZ
7. Common Mode Rejection: 35 dB Min @ 1-100MHZ.

**Mechanical:**

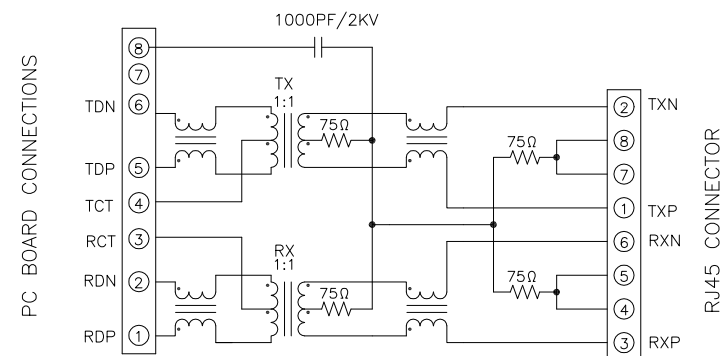
1. Housing Material : Glass Filled Polyester UL94V-0.
2. Contact Mateial : Phosphor Bronze  $t=0.35\text{mm}$ .
3. Plating : 1: Contact Area- Selectine Gold Plating.  
2: Tails- 150u" Tin-Lead Min Over 50u" Nickel.
4. Operating Life : 750 Cycles Min.
5. Pcb Retention Pre-Solder : 1 Lb Min.
6. Pcb Retention Post-Solder : 10 Lbs Min.

**Environmental:**

1. Storage :  $-40^{\circ}\text{C}$  To  $+85^{\circ}\text{C}$ .

Mates With Modular Plug Conforming To  
Fcc Part 68, Subpart F.

**Schematic:**



(TYPICAL FOR EACH PORT)

**RoHS Compliant**

TOLERANCES ARE

**MORETHANALL**  
PCB CONNECTORS  
Cable ASSEMBLIES

DRAWING BY CY

CHECKED BY GENIUS

UNIT / mm SCALE 1 : 1

DATE

SIZE A4

X. ±  
X ±  
.XX ±  
.XXX ±  
ANG ±

PJECTION

照片框

**ORDER INFORMATION**

**MJF13T34L-KF50B3GG-0808**

SERIES

8P8C  
GREEN/GREEN  
REAR TAB 3.05mm  
50u" GOLD  
FULL SPRING

煜倫股份有限公司

www.morethanall.com

DESCRIPTION: Transformer Jack