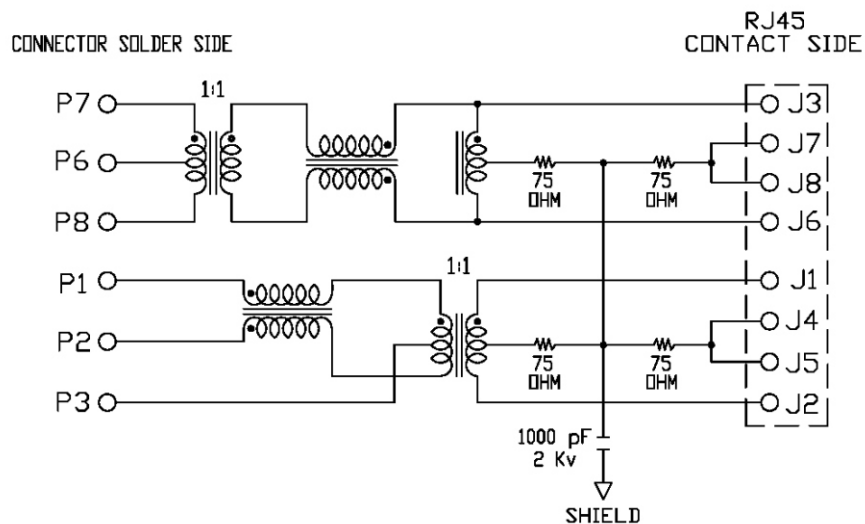


Specification :

Item	Parameter	Condition	Min.	Typ.	Max.	Unit	REMARK
1	Insertion loss	1-100 MHz			-1	dB	
2	Return loss	1-30 MHz	-16			dB	NOTE 1
		30-60 MHz				dB	
		60-80 MHz	-10			dB	
3	QCL	100 KHz	350			μH	
4	Crosstalk	1-100 MHz	-35			dB	
5	Hipot	Vrms	1.5			kV	
6	Turns Ratio (Chip : Cable)	TX: 1 : 1 RX: 1 : 1				CT	
7	Direct Current resistance					Ω	

*NOTE 1: Greater than $(16-20 \text{ Log } (f/30\text{MHz}))$ dB.



CONNECTOR SCHEMATIC



PART NO. MJF13T3-KX06B3-0808

DWG NO. MJF13T3-KX06B3-0808

CHECKED BY CY

TOLERANCES ARE

DESCRIPTION:

FILE NO.

DRAWING BY

.X ± 0.2
.XX ±
.XXX ±
AWG

AREA

REVISIONS

HK

DATE

煜倫股份有限公司

UNIT / mm

SCALE 1:1

PROJECTION

