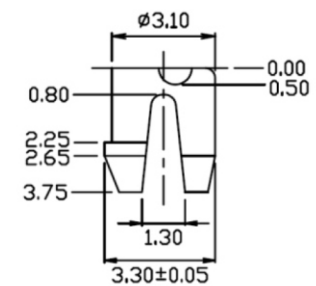
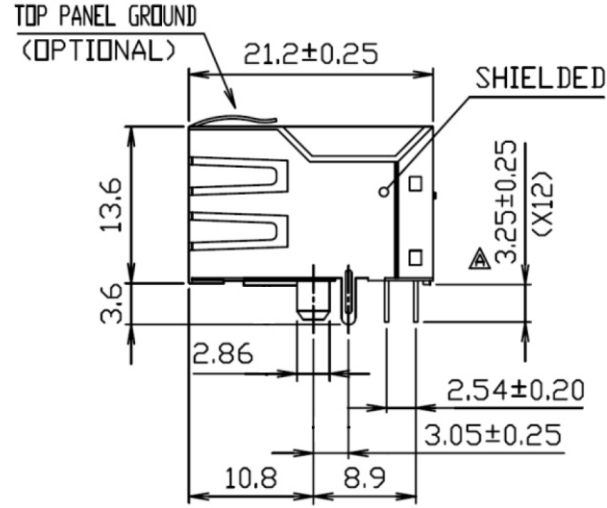
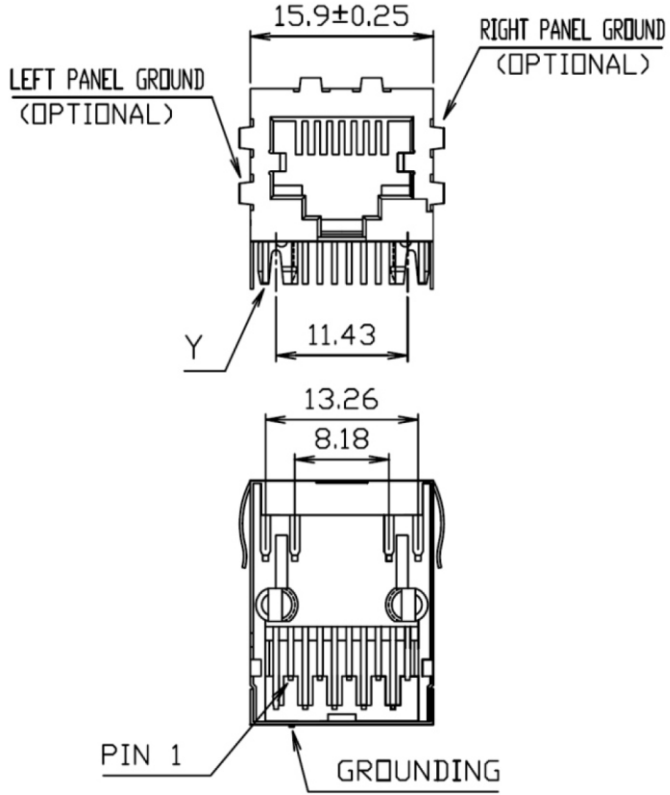
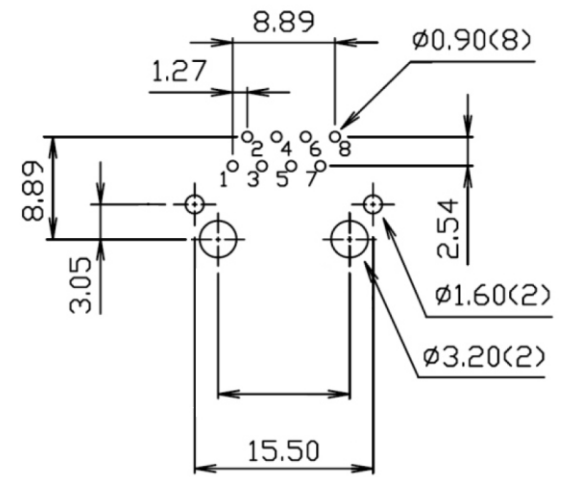


MATERIALS:
 • HOUSING-PBT POLYESTER UL94V-0 MIXED GLASS FIBER. STANDARD COLOR-BLACK.
 • CONTACTS-0.35mm THICK PHOS-BRONZE PLATED WITH HARD GOLD AND TIN/LEAD IN SOLDER AREA.
 • SHIELD-0.25mm THICK COPPER ALLOY, PLATED WITH NICKEL.
 CAVITY CONFIRMS TO FCC RULES AND REGULATIONS PART 68,SUBPART F.



DETAIL Y



PC Board Layout Ref.

RoHS Compliant

MORETHANALL
 CONNECTORS
 ASSEMBLIES

煜倫股份有限公司

PART NO. MJF13T3-KF06B3-0808	
DWG NO. MJF13T3-KF06B3-0808	
FILE NO.	CHECKED BY CY
UNIT / mm	DRAWING BY
SCALE 1:1	PROJECTION

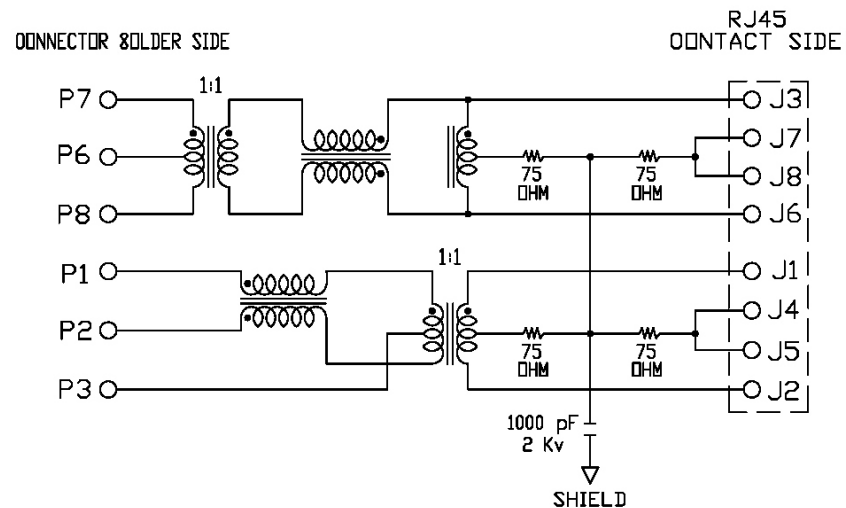
TOLERANCES ARE
.X ± 0.2
.XX ± 0.1
.XXX ±
AWG

DESCRIPTION:
AREA
REVISIONS
HK
DATE

Specification :

Item	Parameter	Condition	Min.	Typ.	Max.	Unit	REMARK
1	Insertion loss	1-100 MHz			-1	dB	
2	Return loss	1-30 MHz	-16			dB	NOTE 1
		30-60 MHz				dB	
		60-80 MHz	-10			dB	
3	QCL	100 KHz	350			μH	
4	Crosstalk	1-100 MHz	-35			dB	
5	Hipot	V _{rms}	1.5			kV	
6	Turns Ratio (Chip : Cable)	TX: 1 : 1 RX: 1 : 1				CT	
7	Direct Current resistance					Ω	

*NOTE 1: Greater than $(16-20 \text{ Log } (f/30\text{MHZ}))$ dB.



CONNECTOR SCHEMATIC



PART NO. MJF13T3-KF06B3-0808

DWG NO. MJF13T3-KF06B3-0808

CHECKED BY CY

TOLERANCES ARE

DESCRIP TION:

FILE NO.

DRAWING BY

.X ± 0.2
.XX ± 0.1
.XXX ±
AWG

AREA

REVISIONS

HK

DATE

煜倫股份有限公司

UNIT / mm

SCALE 1:1

PROJECTION

