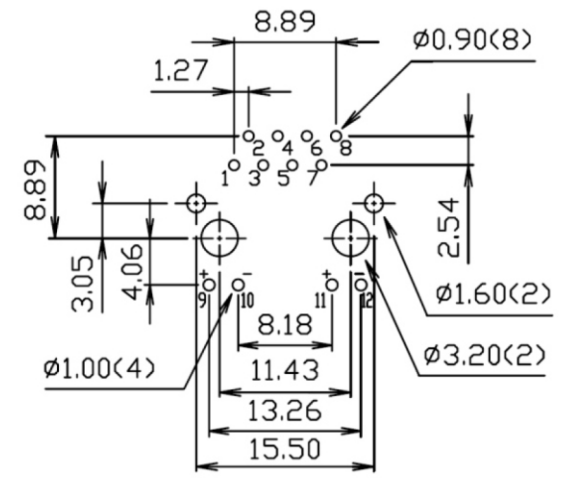
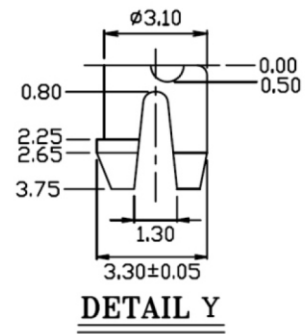
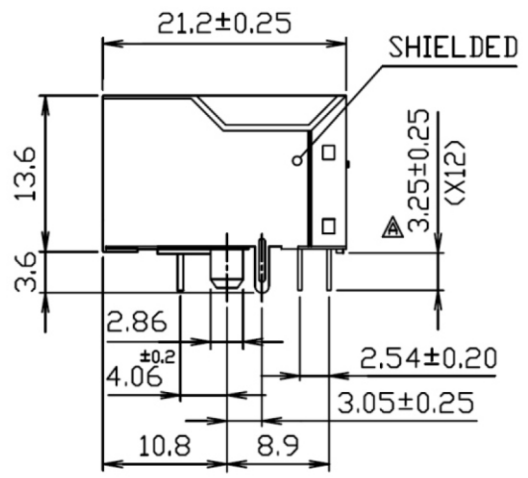
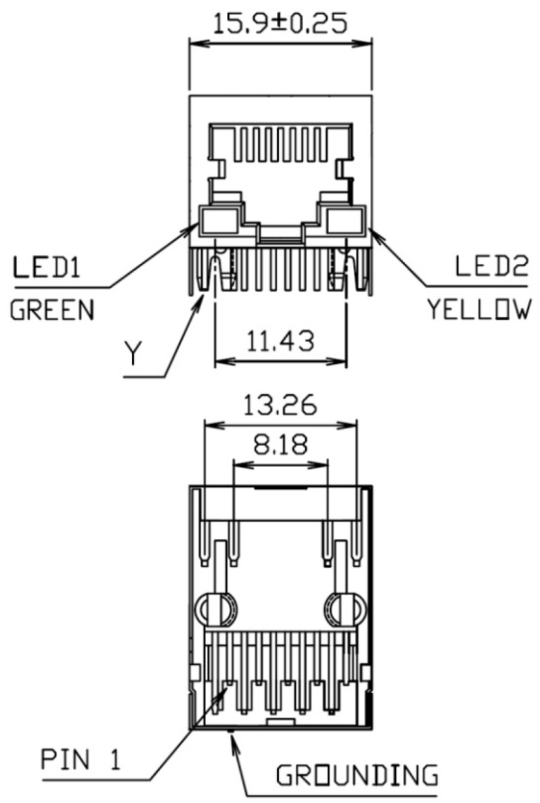


MATERIALS:  
 • HOUSING-PBT POLYESTER UL94V-0  
 MIXED GLASS FIBER.  
 STANDARD COLOR-BLACK.  
 • CONTACTS-0.35mm THICK PHOS-BRONZE PLATED  
 WITH HARD GOLD AND TIN/LEAD IN  
 SOLDER AREA.  
 • SHIELD-0.25mm THICK COPPER ALLOY,  
 PLATED WITH NICKEL.  
 CAVITY CONFIRMS TO FCC RULES AND REGULATIONS  
 PART 68,SUBPART F.



PART NO. MJF13T2L-KX06B3GY-0808

DWG NO. MJF13T2L-KX06B3GY-0808

CHECKED BY CY

TOLERANCES ARE

FILE NO.

DRAWING BY

.X ± 0.2  
.XX ± 0.1  
.XXX ±  
AWG

DESCRIPTION:

煜倫股份有限公司

UNIT / mm

SCALE 1:1

PROJECTION

AREA

REVISIONS

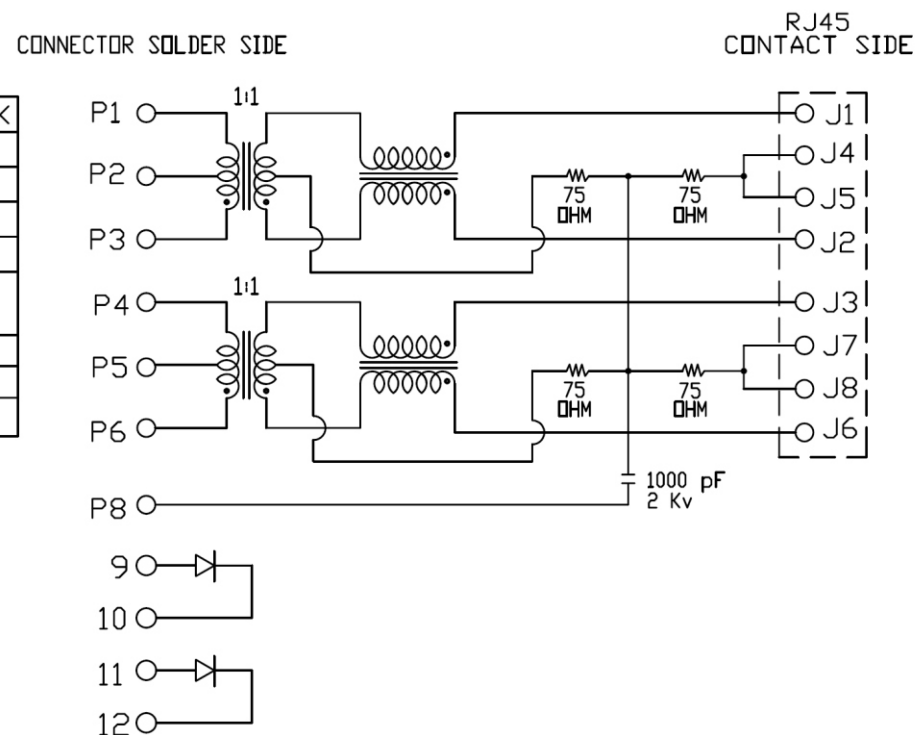
HK

DATE

# TRANSFORMER TYPE I

Specification :

Item	Parameter	Condition	Min.	Typ.	Max.	Unit	REMARK
1	Insertion loss	1-100 MHz			-1	dB	
2	Return loss	1-30 MHz	-20			dB	
		30-60 MHz	-15			dB	
		60-80 MHz	-11			dB	
3	Primary Inductance @100KHz, 0.1Vrms, 8mA DC BIAS	<1-3>, <4-6>	350			μH	
4	Crosstalk	1-100 MHz	-35			dB	
5	Hipot	Vrms	1.5			kV	
6	COMMON MODE REJECTION	@1-100 MHz	-30			dB	



**MORETHANALL**  
CONNECTORS  
ASSEMBLIES

PART NO. MJF13T2L-KX06B3GY-0808

DWG NO. MJF13T2L-KX06B3GY-0808

CHECKED BY CY

TOLERANCES ARE

DESCRIPTION:

FILE NO.

DRAWING BY

.X ± 0.2  
.XX ± 0.1  
.XXX ±  
AWG

AREA

REVISIONS

HK

DATE

煜倫股份有限公司

UNIT / mm

SCALE 1:1

PROJECTION

