

MATERIALS:

- HOUSING-PBT POLYESTER UL94V-0 MIXED GLASS FIBER. STANDARD COLOR-BLACK.
- CONTACTS-0.35mm THICK PHOS-BRONZE PLATED WITH HARD GOLD AND TIN/LEAD IN SOLDER AREA.
- SHIELD-0.25mm THICK COPPER ALLOY, PLATED WITH NICKEL.

CAVITY CONFIRMS TO FCC RULES AND REGULATIONS PART 68,SUBPART F.

PC Board Layout Ref.

RoHS Compliant

B			PART NO. MJF13T2L-KF06B3GY-0808		TOLERANCES ARE	DESCRIP TION:								
			DWG NO. MJF13T2L-KF06B3GY-0808							CHECKED BY CY				
A			FILE NO.		DRAWING BY	.X ± 0.2 .XX ± 0.1 .XXX ± AWG	<table border="1"> <tr> <td>AREA</td> <td>REVISIONS</td> <td>HK</td> <td>DATE</td> </tr> </table>				AREA	REVISIONS	HK	DATE
			AREA	REVISIONS	HK						DATE			
			UNIT / mm	SCALE 1:1	PROJECTION									

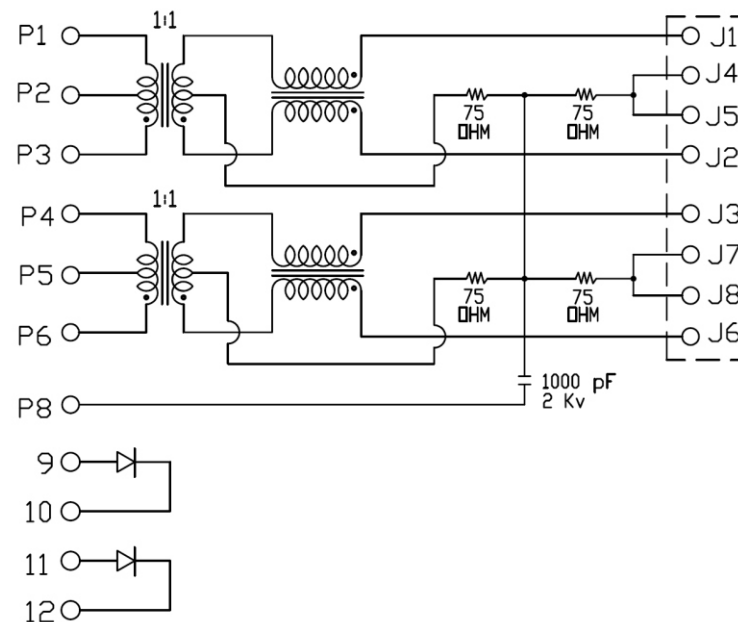
TRANSFORMER TYPE I

Specification :

Item	Parameter	Condition	Min.	Typ.	Max.	Unit	REMARK
1	Insertion loss	1-100 MHz			-1	dB	
2	Return loss	1-30 MHz	-20			dB	
		30-60 MHz	-15			dB	
		60-80 MHz	-11			dB	
3	Primary Inductance @100KHz, 0.1Vrms, 8mA DC BIAS	(1-3), (4-6)	350			μH	
4	Crosstalk	1-100 MHz	-35			dB	
5	Hipot	Vrms	1.5			kV	
6	COMMON MODE REJECTION	@1-100 MHz	-30			dB	

CONNECTOR SOLDER SIDE

RJ45
CONTACT SIDE



CONNECTOR SCHEMATIC

MORETHANALL
CONNECTORS
ASSEMBLIES

PART NO. MJF13T2L-KF06B3GY-0808

DWG NO. MJF13T2L-KF06B3GY-0808

CHECKED BY CY

TOLERANCES ARE

DESCRIP TION:

煜倫股份有限公司

FILE NO.

DRAWING BY

.X ± 0.2
.XX ± 0.1
.XXX ±
AWG

AREA

REVISIONS

HK

DATE

UNIT / mm

SCALE 1:1

PROJECTION

