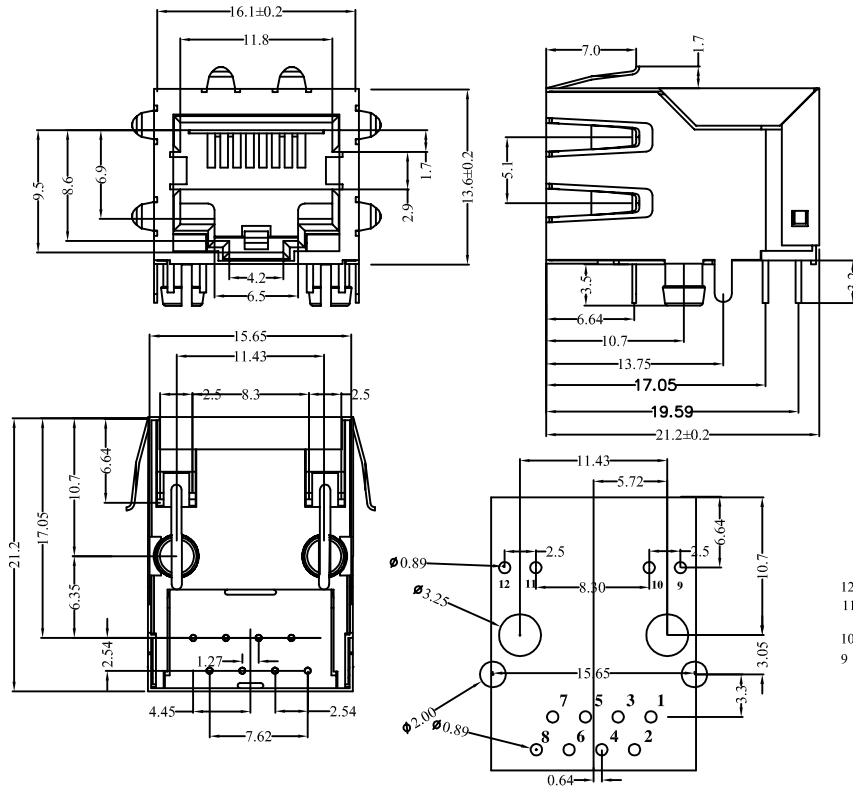


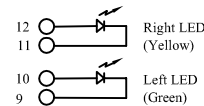
1 PORT RJ-45 JACK WITH MAGNETICS MODULE

Electrical Specifications: @25°C

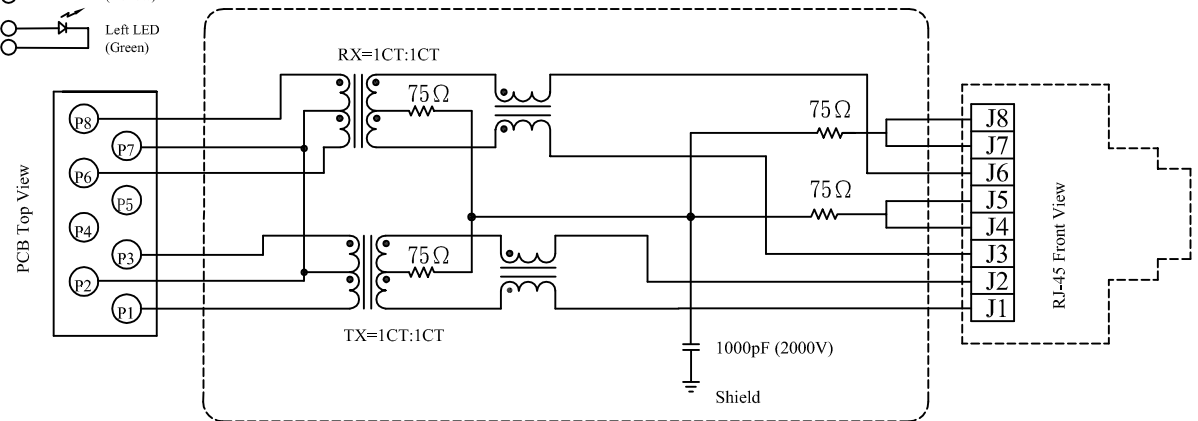
Isolation Voltage: 1500 Vrms (INPUT to OUTPUT)
 Rise Time (10-90%): 2.5ns Typical
 OCL: 350uH Minimum @100KHz 100mV 8mADC
 Insertion Loss : -1.0dB Max. @100KHz - 100MHz
 Return Loss: -18dB Minimum @1MHz - 30MHz
 -15dB Minimum @40MHz - 50MHz
 -10dB Minimum @60MHz - 80MHz
 Crosstalk: -38dB Typ. @100KHz - 100MHz
 Operating Temperature: 0°C ~ +70°C
 Turn Ratio: RX=1CT:1CT(±3%) TX=1CT:1CT(±3%)
 Cw/w: 20pF Typ. @100KHz 100mV
 Leakage Inductance(TX&RX): 0.4uH Max
 CMRR: -40dB Typ. @100KHz - 100MHz



TOP VIEW (COMPONENT SIDE)
RECOMMENDED P.C.B. LAYOUT



Block Circuit X1 set



RoHS Compliant

TOLERANCES ARE

MORETHANALL
PCB CONNECTORS
Cable ASSEMBLIES

DRAWING BY CY

X, ±

CHECKED BY GENIUS

.X ±

UNIT / mm

SCALE 1 : 1

.XXX ±

DATE

ANG ±

煜倫股份有限公司

www.morethanall.com

SIZE A4

PJECTION

照片框

ORDER INFORMATION

MJF13T27L-KF15B3GY-0808

SERIES

8P8C
GREEN/YELLOW
REAR TAB 3.05mm
15u" GOLD
FULL SPRING

BLACK

DESCRIPTION: