

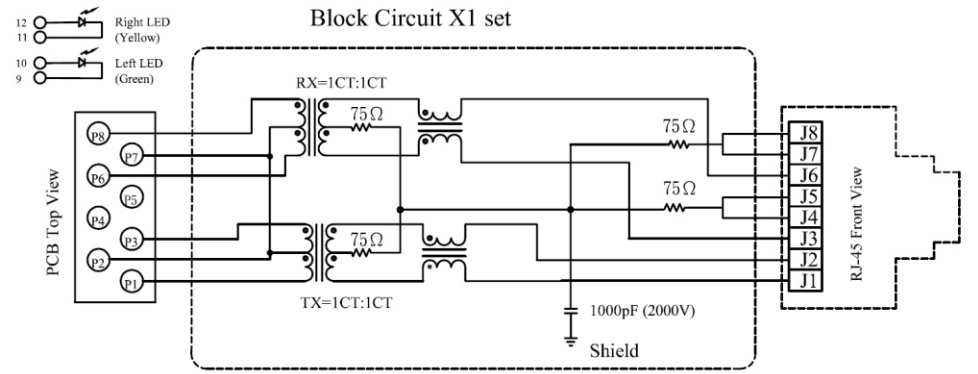
TOP VIEW (COMPONENT SIDE)
RECOMMENDED P.C.B. LAYOUT

1 PORT RJ-45 JACK WITH MAGNETICS MODULE

Electrical Specifications: @25°C

- Isolation Voltage: 1500 Vrms (INPUT to OUTPUT)
- Rise Time (10-90%): 2.5ns Typical
- OCL: 350uH Minimum @100KHz 100mV 8mADC
- Insertion Loss : -1.0dB Max. @100KHz - 100MHz
- Return Loss: -18dB Minimum @1MHz - 30MHz
-15dB Minimum @40MHz - 50MHz
-10dB Minimum @60MHz - 80MHz
- Crosstalk: -38dB Typ. @100KHz - 100MHz
- Operating Temperature: 0°C ~ +70°C
- Turn Ratio: RX=1CT:1CT(±3%) TX=1CT:1CT(±3%)
- Cw/w: 20pF Typ. @100KHz 100mV
- Leakage Inductance(TX&RX): 0.4uH Max
- CMRR: -40dB Typ. @100KHz - 100MHz

Schematics:



PART NO. MJF13T27L-KF06B3GY45-0808

DWG NO. MJF13T27L-KF06B3GY45-0808

FILE NO.

UNIT / mm

CHECKED BY CY

DRAWING BY

SCALE 1:1

PROJECTION

TOLERANCES ARE

- .X ± 0.2
- .XX ± 0.1
- .XXX ±
- AWG

DESCRIP TION:

AREA	REVISIONS	HK	DATE
------	-----------	----	------

煜倫股份有限公司