

TRANSFORMER TYPE 21

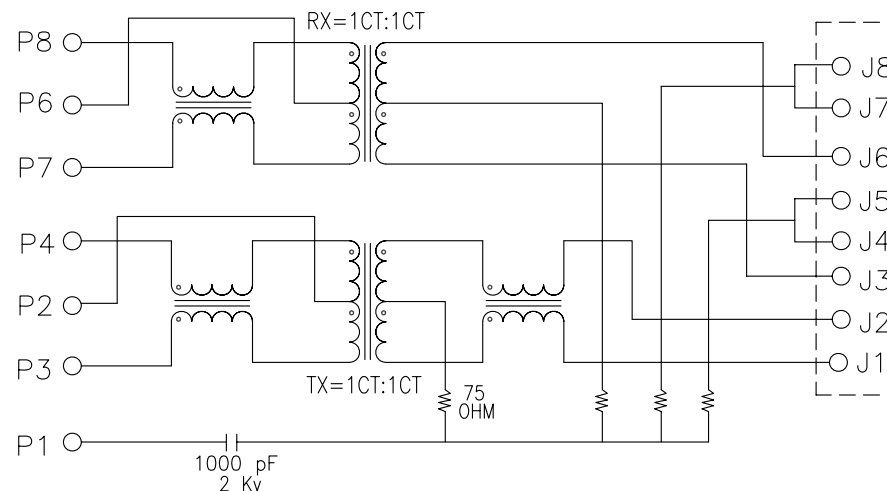
Specification :

Item	Parameter	Condition	Min.	Typ.	Max.	Unit	REMARK
1	Insertion loss	1-100 MHz			-1	dB	
2	Return loss	@ 30 MHz	-18			dB	
		@ 80 MHz	-12			dB	
3	Common Mode To Differential Mode Rejection	300KHz-60MHz	-45/-40			Typ	
		60MHz-100MHz	-40/-35			Typ	
4	OCL	100KHz	350			uH	
5	Crosstalk	300KHz-60MHz	-40			dB	
		60MHz-100MHz	-38			dB	
6	Hipot	Vrms	1.5			kV	
7	Operating temperature range						NOTE 1

* NOTE 1: -40°C TO +85°C

CONNECTOR SOLDER SIDE

RJ45 CONTACT SIDE



CONNECTOR SCHEMATIC

MORETHANALL
CONNECTORS
ASSEMBLIES

PART NO. MJF13T26A4-KF06B3-0808

DWG NO. MJF13T26A4-KF06B3-0808

FILE NO.

CHECKED BY CY

DRAWING BY

TOLERANCES ARE

.X ± 0.2

.XX ±

.XXX ±

AWG

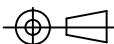
DESCRIPTION:

煜倫股份有限公司

UNIT / mm

SCALE 1:1

PROJECTION



AREA

REVISIONS

HK

DATE