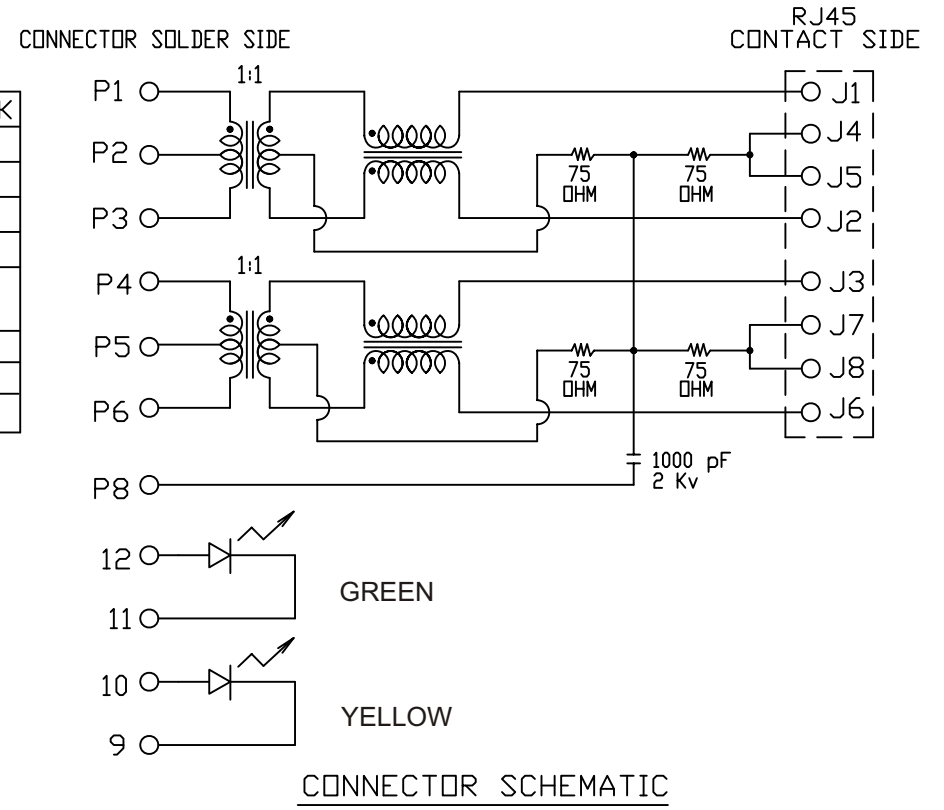


TRANSFORMER TYPE 1

Specification :

Item	Parameter	Condition	Min.	Typ.	Max.	Unit	REMARK
1	Insertion loss	1-100 MHz			-1	dB	
2	Return loss	1-30 MHz	-20			dB	
		30-60 MHz	-15			dB	
		60-80 MHz	-12			dB	
3	Primary Inductance @100KHz, 0.1Vrms, 8mA DC BIAS	(J1-J2), (J3-J6)	350			μ H	
4	Crosstalk	1-100 MHz	-35			dB	
5	Hipot	Vrms	1.5			kV	
6	COMMON MODE REJECTION	1-100 MHz	-35			dB	

* OPERATING TEMPERATURE RANGE: 0°C TO +70°C.



RoHS Compliant

TOLERANCES ARE

MORETHANALL
PCB CONNECTORS
Cable ASSEMBLIES

煜倫股份有限公司

www.morethanall.com

DRAWING BY CY

CHECKED BY GENIUS

UNIT / mm SCALE 1 : 1

DATE

SIZE A4

X. \pm

.X \pm

.XX \pm

.XXX \pm

ANG \pm

PJECTION

照片框

ORDER INFORMATION

MJF13T25ULA4-KF06B3XYXG-0808

SERIES

BLACK 06u" GOLD FULL SPRING
REAR TAB 3.05mm
8P8C
LED1 / LED2
X/YELLOW / X/GREEN

DESCRIPTION: TRANSFORMER TYPE 1 SPECIFICATION