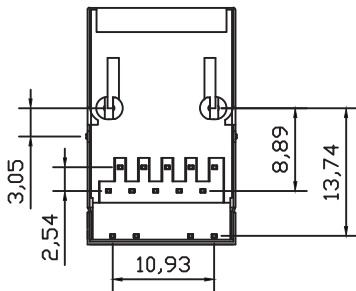
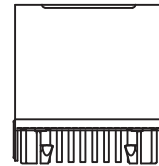
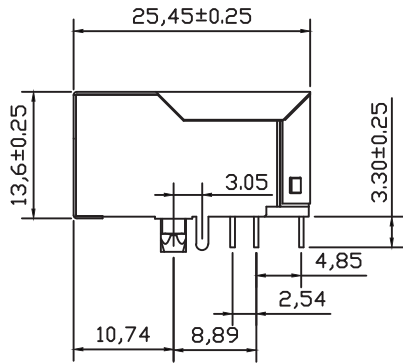
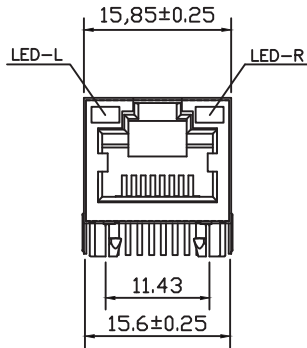


NOTE:

1. Shielded - 0.20mm THICKNESS BRASS C2680 H. PLATING NICKEL 20u"-40u".
2. Housing- Standard Material Nylon66, Glass Filled Polyester UL94V-0 Standed Color Black.
3. Insert Pin- Plastic:PBT UL94V-0, Standard Color Black. Pin:0.35mm Thickness Phos-Bronze C5210 EH. Plating:Nickel40u"~60u" for all and Sn 100% ,and Gold Plating.
4. Contact Pin- Plastic:PBT, Glass Filled, UL94V-0, Standard Color Black. Pin:0.35mm SUS430. Plating:Nickel40u"~60u" for all and Sn 100%.



Standard LED	Wavelength	Forward*V(MAX)	TYP
Hsf0	676nm	3/6w	3/3w
Zfmmpx	676nm	3/6w	3/2w

With a forward current of 20mA

照片框

RoHS Compliant

TOLERANCES ARE

**MORETHANALL**  
PCB CONNECTORS  
Cable ASSEMBLIES

DRAWING BY CY

CHECKED BY GENIUS

UNIT/mm SCALE 1:1

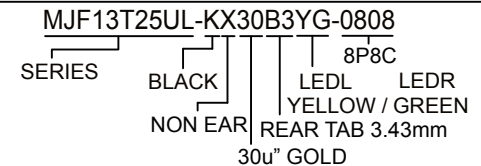
DATE

SIZE A4

X. ±  
.X ± 0.38  
.XX ± 0.20  
.XXX ± 0.10  
ANG ±

P PROJECTION

ORDER INFORMATION

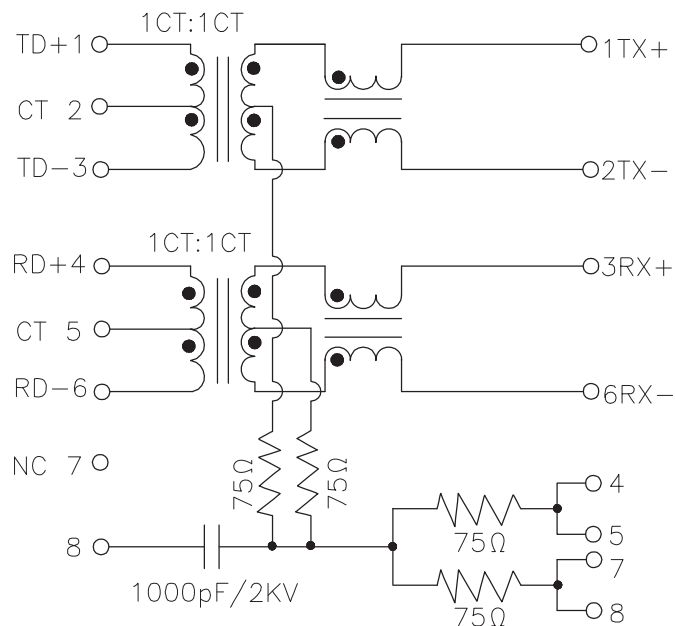


煜倫股份有限公司

www.morethanall.com

DESCRIPTION:

**Schematic:**



**Environmental:**

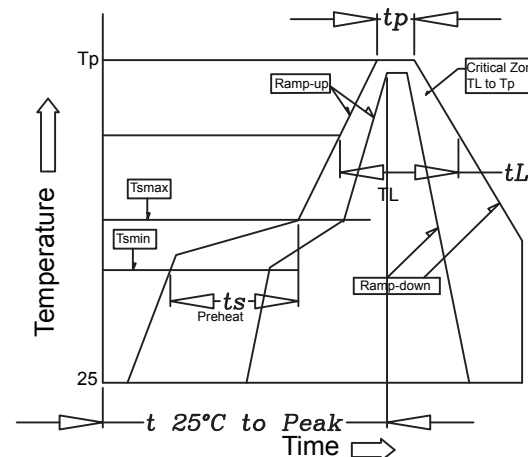
- 1.Storage Temp: -40°C to +85°C.
- 2.Operating Temp: 0°C to +70°C.
- 3.MATES WITH MODULAR PLUG CONFORMING TO FCC PART 68,SUBPARTF.

**Profile of wave solder**

- 1.Peak temperature( $T_p$ ) :250°C±5°C.
- 2.Peak temperature( $T_p$ ) time: 5sec max.

**ELECTRICAL SPECIFICATIONS@25°C:**

Turn Ratio( $\sqrt{2}\%$ ): 1:1  
 INSERTION LOSS (1-100MHz): -1.0dB MAX.  
 Return Loss (dB MIN): -18dB(1-30MHz)  
 -[18-20LOG(F/30MHz)]dB (30-60MHz), -12dB(60-80MHz)  
 Cross talk (dB MIN): -50dB(0.5-1MHz),-50dB(10MHz)  
 -40dB (30MHz), -35dB (50MHz), -30dB (100MHz)  
 CMR(dB MIN): -50dB(0.3-1MHz),-47dB(10MHz)  
 -42dB (30MHz), -37dB (60MHz), -30dB (100MHz)  
 CDMR(dB MIN): -50dB(0.3-1MHz),-50dB(10MHz)  
 -50dB (30MHz), -45dB (60MHz), -40dB (100MHz)  
 HI-POT TEST: 1500Vrms/1.0mA/3Sec.  
 PRIMARY INDUCTANCE: 350uH MIN @100KHz/0.1V, 8mA  
 D.C.BIAS  
 RoHS compliance: YES



煜倫股份有限公司

www.morethanall.com

**RoHS Compliant**

DRAWING BY CY

CHECKED BY GENIUS

UNIT/ mm SCALE 1:1

DATE

SIZE A4

TOLERANCES ARE

X, ±  
 .X ± 0.38  
 .XX ± 0.20  
 .XXX ± 0.10  
 ANG ±

P PROJECTION

照片框

**ORDER INFORMATION**

MJF13T25UL-KX30B3YG-0808  
 SERIES BLACK LEDL LEDR 8P8C  
 NON EAR YELLOW / GREEN REAR TAB 3.43mm  
 30u" GOLD

DESCRIPTION: