

NOTE:

CAVITY CONFIRMS TO FCC RULES AND REGULATIONS PART 68, SUBPART F.

1. MATERIAL:

- 1.1 HOUSING: PBT, WITH GLASS FIBER, UL94V-0, STANDARD COLOR-BLACK.
- 1.2 INSERT HOUSING & BASE: PBT, WITH GLASS FIBER, UL94V-0, STANDARD COLOR-BLACK.
- 1.3 CONTACTS: PHOSPHOR BRONZE.
- 1.4 SHELL: BRASS.
- 1.5 LED SOLDER TAIL: STEEL.

2. FINISH:

- 2.1 CONTACTS: GOLD FLASH ON CONTACT AREA, 2.54µm [100µ"] TIN PLATED ON SOLDER TAIL, 1.27µm [50µ"] MIN. NICKEL UNDERPLATED OVERALL.
- 2.2 SHELL: 0.508µm [20µ"] MIN. NICKEL PLATED.
- 2.3 LED SOLDER TAIL: 2.032µm [80µ"] MIN. TIN PLATED.

RoHS Compliant

TOLERANCES ARE

**MORETHANALL**  
PCB CONNECTORS  
Cable ASSEMBLIES

DRAWING BY CY

CHECKED BY GENIUS

UNIT / mm

SCALE 1:1

DATE

SIZE A4

PJECTION

X, ±  
.X ± 0.25  
.XX ± 0.13  
.XXX ± 0.05  
ANG ±

照片框

ORDER INFORMATION

MJF13T25UL-KX03B3GY24-0808

SERIES

BLACK

03u" GOLD

NON EAR

LED1 : GREEN  
LED2 : YELLOW  
REAR TAB 3.05mm

8P8C

煜倫股份有限公司

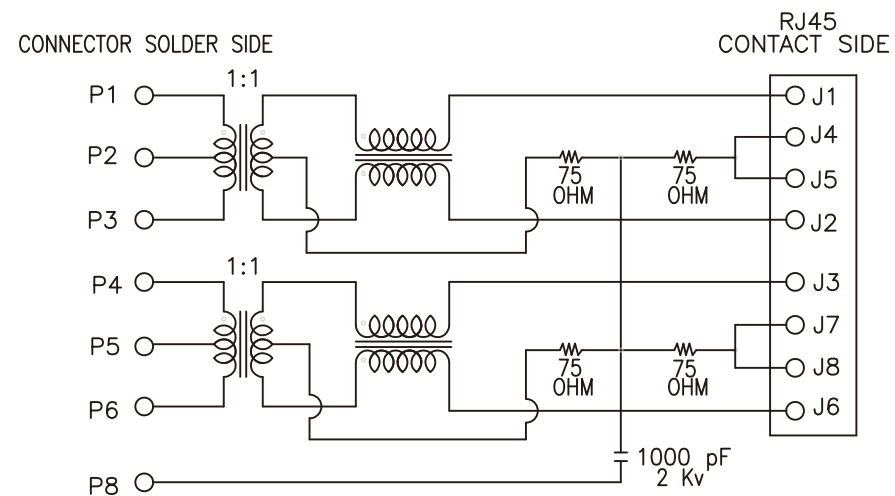
www.morethanall.com

DESCRIPTION: MODULAR JACK, RJ45, GIGABIT, WITH LED & SHELL, SIDE ENTRY

## TRANSFORMER TYPE 1

Specification :

Item	Parameter	Condition	Min.	Typ.	Max.	Unit	REMARK
1	Insertion loss	1-100 MHz			-1	dB	
2	Return loss	1-30 MHz	-20			dB	
		30-60 MHz	-15			dB	
		60-80 MHz	-12			dB	
3	Primary Inductance @100KHz, 0.1Vrms, 8mA DC BIAS	(J1-J2), (J3-J6)	350			uH	
4	Crosstalk	1-100 MHz	-35			dB	
5	Hipot	Vrms	1.5			kV	
6	COMMON MODE REJECTION	1-100 MHz	-35			dB	



CONNECTOR SCHEMATIC

**RoHS Compliant**

TOLERANCES ARE

**MORETHANALL**  
PCB CONNECTORS  
Cable ASSEMBLIES

DRAWING BY CY

CHECKED BY GENIUS

UNIT / mm SCALE 1 : 1

DATE

SIZE A4

X ±  
.X ± 0.25  
.XX ± 0.15  
.XXX ± 0.05  
ANG ±

PPOJECTION

照片框

**ORDER INFORMATION**

**MJF13T25UL-KX06B3GY24-0808**

SERIES

BLACK

LED1 : GREEN  
LED2 : YELLOW  
REAR TAB 3.05mm

06u" GOLD  
NON EAR

8P8C

**煜倫股份有限公司**

[www.morethanall.com](http://www.morethanall.com)

DESCRIPTION: MODULAR JACK, RJ45, GIGABIT, WITH LED & SHELL, SIDE ENTRY