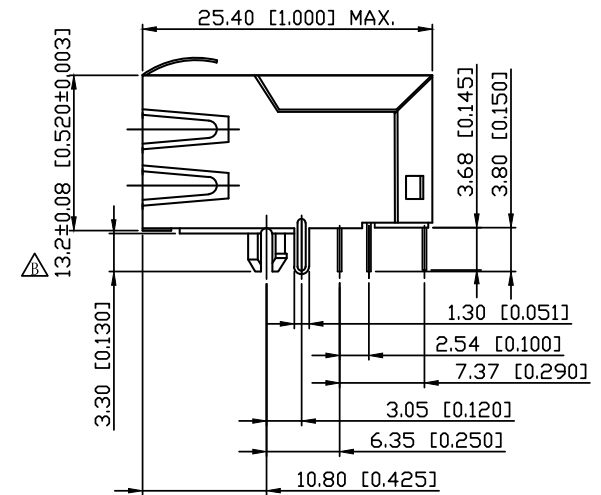
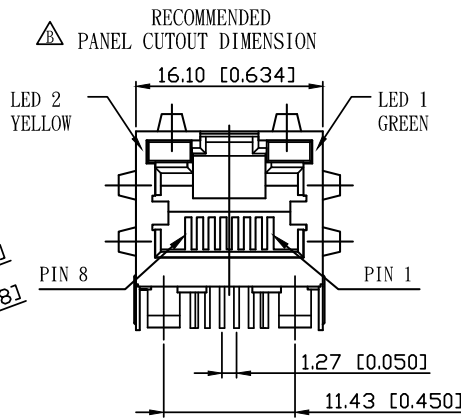
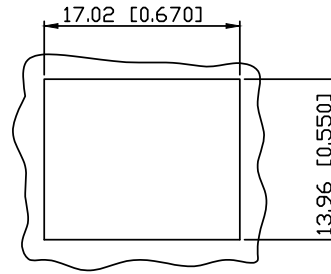
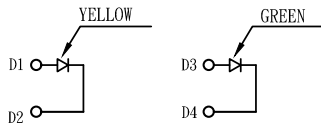


SUGGESTED PCB LAYOUT



NOTES:

- MATERIAL:
HOUSING -PBT POLYESTER UL94V-0
MIXED GLASS FIBER.
STANDARD COLOR-BLACK
CONTACTS -0.35mm THICK PHOS-BRONZE PLATED
WITH 6u" GOLD AND TIN IN
SOLDER AREA.
SHIELD -0.20mm THICK COPPER ALLOY,
PLATED WITH NICKEL.
- OPERATING TEMPERATURE : 0°C-70°C
- CAVITY CONFORMS TO FCC RULES AND REGULATIONS
PART 68, SUBPART F.

RoHS Compliant

TOLERANCES ARE

MORETHANALL
PCB CONNECTORS
Cable ASSEMBLIES

DRAWING BY CY

CHECKED BY GENIUS

UNIT / mm

SCALE 1 : 1

DATE

SIZE A4

X, ±
.X ± 0.30
.XX ± 0.25
.XXX ±
ANG ±

P PROJECTION

照片框

ORDER INFORMATION

MJF13T25UL-KF06B3YG-0808

SERIES

8P8C

LED1 / LED2
YELLOW / GREEN

REAR TAB 3.05mm

BLACK

06u" GOLD
FULL SPRING

煜倫股份有限公司

www.morethanall.com

DESCRIPTION: RJ45, W/LED, with 10/100 Mbps Filter 8P,8C, Shielded, Thru Hole.

ELECTRICAL CHARACTERISTICS :

TEST NOTES: (25±5 °C)

1. TR: (100KHz, 0.1V);

PINS: (P1-P3): (J1-J2)=1:1±3%

PINS: (P4-P6): (J3-J6)=1:1±3%

2. LX: (100KHz, 100mV, 8mA, DC Bias)

PINS: (P1, P3), (P4, P6)=350uH MINIMUM

3. DCR:

PINS: (J1-J2), (J3-J6)= 1.2 OHMS MAXIMUM

4. HIPOT:

PINS(P1, P2, P3) TO (J1, J2)=1500VAC FOR 60 SECONDS

PINS(P4, P5, P6) TO (J3, J6)=1500VAC FOR 60 SECONDS

5. INSERTION LOSS:

-1.0dB MAXIMUM AT 0.3MHz TO 100MHz;

6. RETURN LOSS:

-20dB MINIMUM AT 1MHz TO 30MHz;

-15dB MINIMUM AT 30MHz TO 60MHz

-10dB MINIMUM AT 60MHz TO 80MHz

7. CROSS TALK:

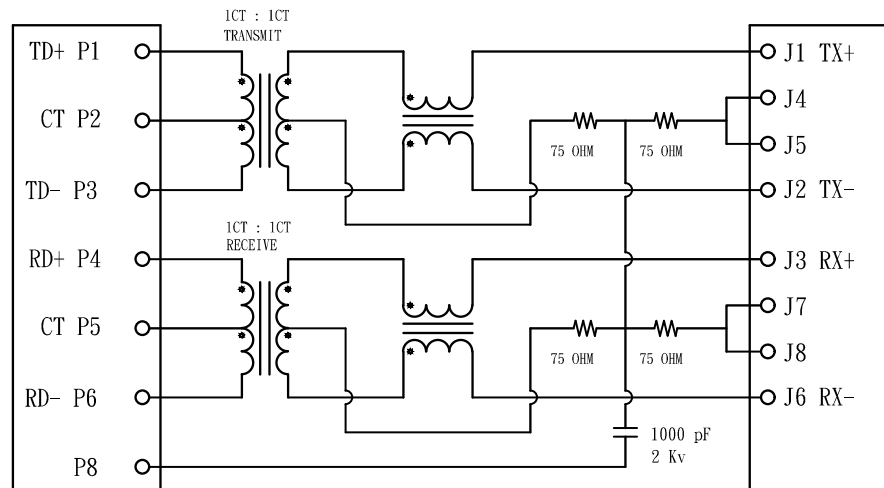
-30dB MINIMUM AT 1MHz TO 100MHz

8. COMMON TO COMMON MODE REJECTION:

-30dB MINIMUM AT 1MHz TO 100MHz

CONNECTOR SOLDER SIDE

RJ45 CONTACT SIDE



RoHS Compliant

TOLERANCES ARE

MORETHANALL
PCB CONNECTORS
Cable ASSEMBLIES

DRAWING BY CY

X. ±

CHECKED BY GENIUS

.X ± 0.30

UNIT / mm

SCALE 1:1

.XX ± 0.25

DATE

.XXX ±

ANG ±

SIZE A4

PPOJECTION

照片框

ORDER INFORMATION

MJF13T25UL-KF06B3YG-0808

SERIES

8P8C

LED1 / LED2

YELLOW / GREEN

REAR TAB 3.05mm

BLACK

06u" GOLD

FULL SPRING

煜倫股份有限公司

www.morethanall.com

DESCRIPTION: RJ45, W/LED, with 10/100 Mbps Filter 8P, 8C, Shielded, Thru Hole.