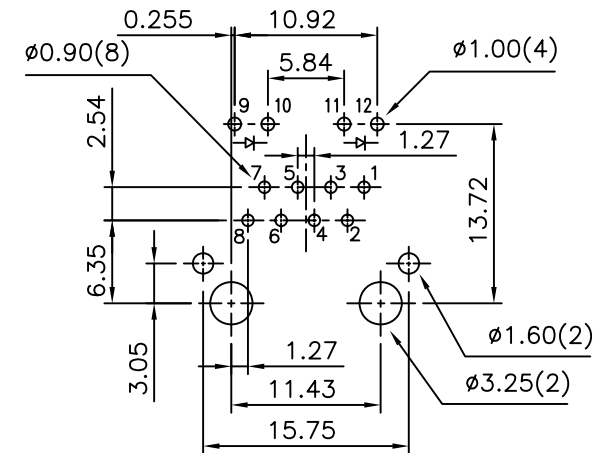
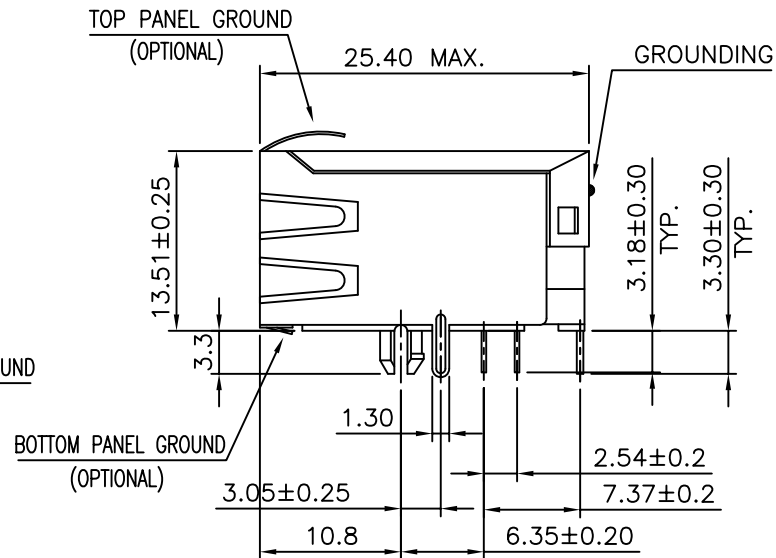
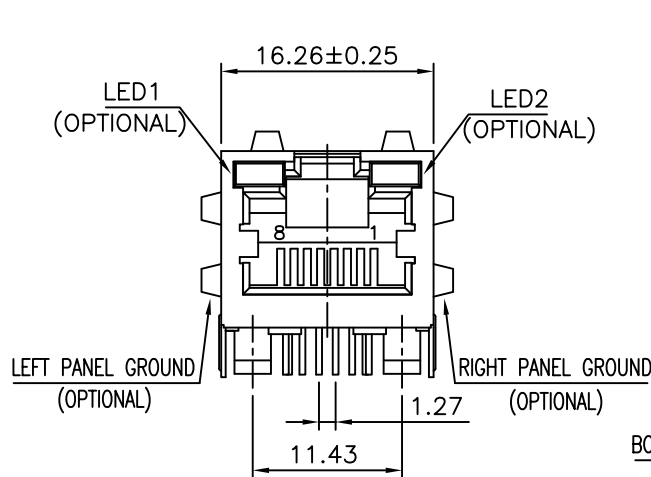


**MATERIAL:**

- HOUSING—DSM STANYL TE250F6 (NYLON-46)  
HEAT DEFLECTION TEMP.290°  
BLACK COLOR, UL94V-0
- CONTACTS—0.35mm THICK PHOS-BRONZE PLATED  
WITH HARD GOLD AND TIN/LEAD IN  
SOLDER AREA.
- SHIELD—0.20mm THICK COPPER ALLOY,  
PLATED WITH NICKEL OR TIN/LEAD.

CAVITY CONFIRMS TO FCC RULES AND REGULATIONS  
PART 68,SUBPART F.



**PCB LAYOUT**

Ref.

**RoHS Compliant**

TOLERANCES ARE



煜倫股份有限公司

www.morethanall.com

DRAWING BY CY		X.± .X± .XX± .XXX± ANG ±
CHECKED BY GENIUS		
UNIT / mm	SCALE 1 : 1	
DATE		
SIZE A4	PJECTION	

照片框

**ORDER INFORMATION**

MJF13T25UL-KF06B3XYXG-0808

SERIES

8P8C  
LED1 / LED2  
X/GREEN / X/YELLOW  
REAR TAB 3.05mm  
FULL SPRING  
06u" GOLD  
BLACK

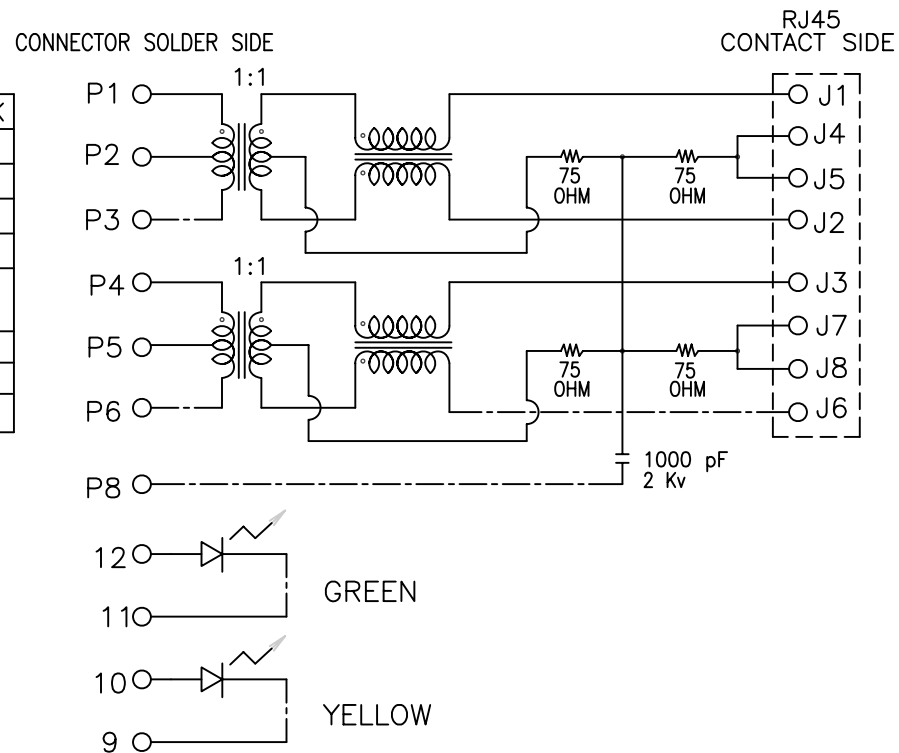
DESCRIPTION: SINGLE PORT, RJ45, WITH LED'S DIP TYPE, SIDE ENTRY.

# TRANSFORMER TYPE 1

Specification :

Item	Parameter	Condition	Min.	Typ.	Max.	Unit	REMARK
1	Insertion loss	1-100 MHz			-1	dB	
2	Return loss	1-30 MHz	-20			dB	
		30-60 MHz	-15			dB	
		60-80 MHz	-12			dB	
3	Primary Inductance @100KHz, 0.1Vrms, 8mA DC BIAS	(J1-J2), (J3-J6)	350			μH	
4	Crosstalk	1-100 MHz	-35			dB	
5	Hipot	Vrms	1.5			kV	
6	COMMON MODE REJECTION	1-100 MHz	-35			dB	

\* OPERATING TEMPERATURE RANGE: 0°C TO +70°C.



CONNECTOR SCHEMATIC

**RoHS Compliant**

TOLERANCES ARE

**MORETHANALL**  
PCB CONNECTORS  
Cable ASSEMBLIES

DRAWING BY CY

X.±

CHECKED BY GENIUS

.X±

UNIT / mm

SCALE 1:1

.XXX±

DATE

ANG±

**煜倫股份有限公司**

www.morethanall.com

SIZE A4

PJECTION

照片框

**ORDER INFORMATION**

**MJF13T25UL-KF06B3XYXG-0808**

SERIES

BLACK

06u" GOLD

REAR TAB 3.05mm

FULL SPRING

8P8C

LED1

X/GREEN

LED2

X/YELLOW

DESCRIPTION: TRANSFORMER TYPE 1 SPECIFICATION