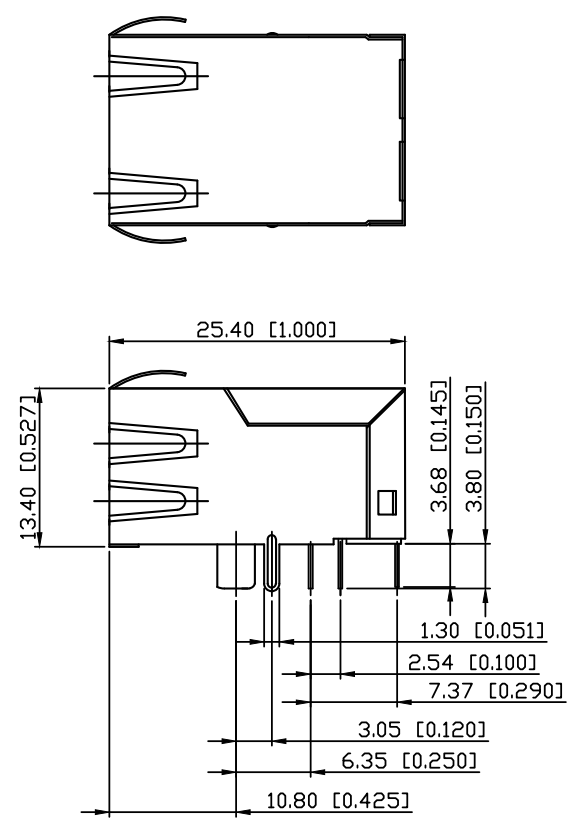
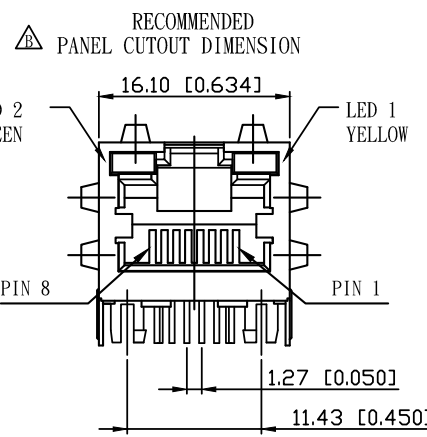
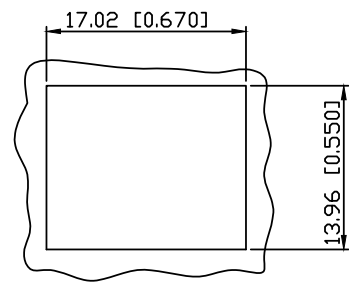
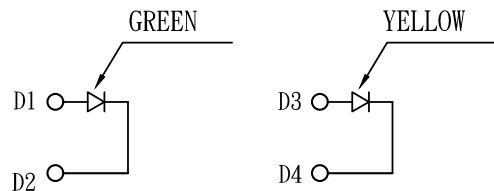


SUGGESTED PCB LAYOUT  
(TOP VIEW)



NOTES:

- MATERIAL:
  - HOUSING -PBT POLYESTER UL94V-0 MIXED GLASS FIBER. STANDARD COLOR-BLACK
  - CONTACTS -0.35mm THICK PHOS-BRONZE PLATED WITH 6u" GOLD AND TIN IN SOLDER AREA.
  - SHIELD -0.20mm THICK COPPER ALLOY, PLATED WITH NICKEL.
- OPERATING TEMPERATURE : 0°C-70°C
- CAVITY CONFORMS TO FCC RULES AND REGULATIONS PART 68, SUBPART F.
- UNSPECIFIED TOLERANCE: .XX ±0.25  
.X ±0.30

照片框

RoHS Compliant

TOLERANCES ARE

**MORETHANALL**  
PCB CONNECTORS  
Cable ASSEMBLIES

DRAWING BY CY

X, ±  
.X ± 0.25  
.XX ± 0.15  
.XXX ± 0.05  
ANG ±

CHECKED BY GENIUS

UNIT / mm SCALE 1 : 1

DATE

SIZE A4

PJECTION

煜倫股份有限公司

www.morethanall.com

ORDER INFORMATION

MJF13T25UL-KF06B3GY-0808

SERIES

8P8C

LED2 / LED1

GREEN / YELLOW

REAR TAB 3.05mm

BLACK

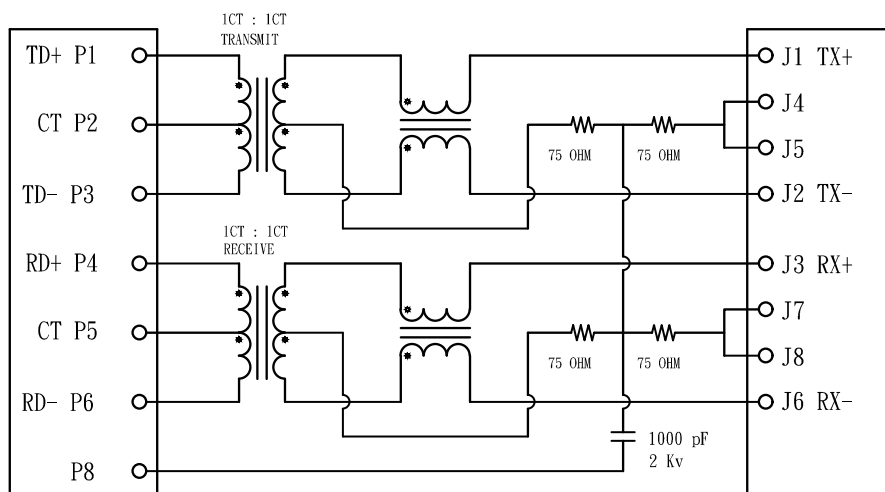
06u" GOLD

FULL SPRING

DESCRIPTION: RJ45, W/LED, with 10/100 Mbps Filter 8P, 8C, Shielded, Thru Hole.

CONNECTOR SOLDER SIDE

RJ45 CONTACT SIDE



## ELECTRICAL CHARACTERISTICS :

TEST NOTES: (25±5°C)

1. TR: (100KHz, 0.1V);

PINS: (P1-P3):(J1-J2)=1:1±3%

PINS: (P4-P6):(J3-J6)=1:1±3%

2. LX: (100KHz, 100mV, 8mA, DC Bias)

PINS: (P1, P3), (P4, P6)=350uH MINIMUM

3. DCR:

PINS: (J1-J2), (J3-J6)= 1.2 OHMS MAXIMUM

4. HIPOT:

PINS(P1, P2, P3)TO(J1, J2)=1500VAC FOR 60 SECONDS

PINS(P4, P5, P6)TO(J3, J6)=1500VAC FOR 60 SECONDS

5. INSERTION LOSS:

-1.0dB MAXIMUM AT 0.3MHz TO 100MHz;

6. RETURN LOSS:

-20dB MINIMUM AT 1MHz TO 30MHz;

-15dB MINIMUM AT 30MHz TO 60MHz

-10dB MINIMUM AT 60MHz TO 80MHz

7. CROSS TALK:

-30dB MINIMUM AT 1MHz TO 100MHz

8. COMMON TO COMMON MODE REJECTION:

-30dB MINIMUM AT 1MHz TO 100MHz

RoHS Compliant

TOLERANCES ARE

**MORETHANALL**  
PCB CONNECTORS  
Cable ASSEMBLIES

DRAWING BY CY

CHECKED BY GENIUS

UNIT / mm

SCALE 1:1

DATE

SIZE A4

PJECTION

X, ±  
.X ± 0.25  
.XX ± 0.15  
.XXX ± 0.05  
ANG ±

照片框

ORDER INFORMATION

MJF13T25UL-KF06B3GY-0808

SERIES

BLACK  
06u" GOLD  
FULL SPRING  
8P8C  
LED2 / LED1  
GREEN / YELLOW  
REAR TAB 3.05mm

煜倫股份有限公司

www.morethanall.com

DESCRIPTION: RJ45, W/LED, with 10/100 Mbps Filter 8P, 8C, Shielded, Thru Hole.