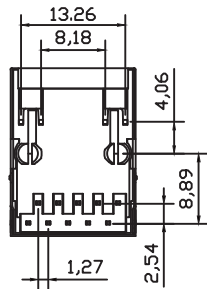
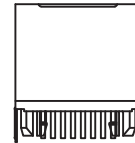
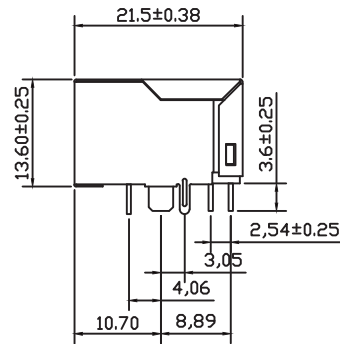
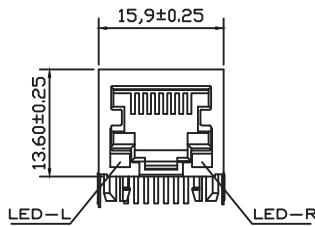


PCB Layout



Standard LED	Wavelength	Forward*V(MAX)	TYP
Hsffo	676nm	3/6w	3/3w
Zfmpx	676nm	3/6w	3/2w

With a forward current of 20mA

NOTE:

- 1.Shielded - 0.20mm THICKNESS BRASS C2680 H. PLATING NICKEL 30u"-50u".
- 2.Housing- Standard Material Nylon66,Glass Filled Polyester UL94V-0 Standed Color Black.
- 3.Insert Pin- Plastic:PBT UL94V-0,Standard Color Black. Pin:0.35mm Thickness Phos-Bronze C5210 EH. Plating:Nickel40u"~60u" for all and Sn 100% ,and Gold Plating.
- 4.Contact Pin- Plastic:PBT,Glass Filled,UL94V-0, Standard Color Black. Pin:0.35mm SUS430. Plating:Nickel40u"~60u" for all and Sn 100%.

RJ45 Plating				LED Code				
				Left LED		Right LED		
Code	Contact Area	Solder tail	Under plating	+9,-10	-9,+10	+11,-12	-11,+12	
06	6μ" gold	150μ" Tin Min.	50μ" Nickel	YG	Yellow	-	Green	-

RoHS Compliant

TOLERANCES ARE

**MORETHANALL**  
PCB CONNECTORS  
Cable ASSEMBLIES

DRAWING BY CY

CHECKED BY GENIUS

UNIT / mm

SCALE 1 : 1

DATE

SIZE A4

PJECTION

X, ±  
.X ± 0.38  
.XX ± 0.20  
.XXX ± 0.10  
ANG ±

照片框

ORDER INFORMATION

MJF13T25L-KX06B3YG-0808

SERIES

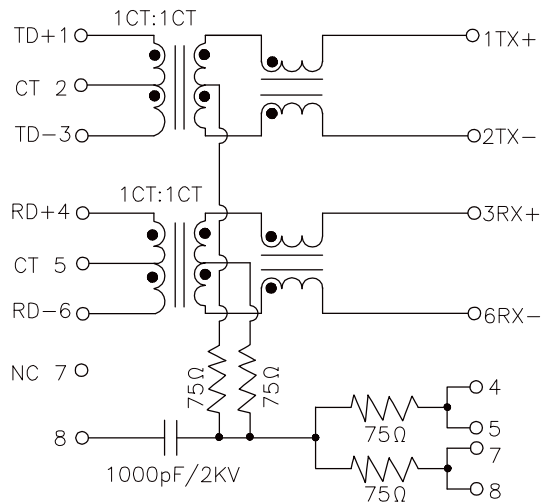


煜倫股份有限公司

www.morethanall.com

DESCRIPTION:

Schematic:



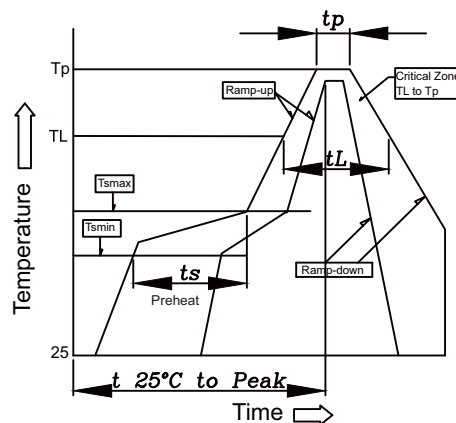
ELECTRICAL SPECIFICATIONS@25°C:

Turn Ratio(±2%): 1:1  
 INSERTION LOSS (1-100MHz): -1.0dB MAX.  
 Return Loss (dB MIN): -18dB(1-30MHz)  
 -[18-20LOG(F/30MHz)dB (30-60MHz), -12dB(60-80MHz)]  
 Cross talk (dB MIN): -50dB(0.5-1MHz),-50dB(10MHz)  
 -40dB (30MHz), -35dB (50MHz), -30dB (100MHz)  
 CMR(dB MIN): -50dB(0.3-1MHz),-47dB(10MHz)  
 -42dB (30MHz), -37dB (60MHz), -30dB (100MHz)  
 CDMR(dB MIN): -50dB(0.3-1MHz),-50dB(10MHz)  
 -50dB (30MHz), -45dB (60MHz), -40dB (100MHz)  
 HI-POT TEST:1500Vrms/0.5mA/2Sec.  
 PRIMARY INDUCTANCE: 350uH MIN @100KHz/0.1V, 8mA  
 D.C.BIAS  
 RoHS compliance: YES

- 1.Storage Temp: -40°C to +85°C.
- 2.Operating Temp: 0°C to +70°C.
- 3.MATES WITH MODULAR PLUG CONFORMING TO FCC PART 68,SUBPARTF.

PROFILE OF WAVE SOLDER:

- 1.Peak temperature( $T_p$ ):260°C±5°C.
- 2.Peak temperature( $T_p$ ) time: 5sec max.



**MORETHANALL**  
 PCB CONNECTORS  
 Cable ASSEMBLIES

煜倫股份有限公司

www.morethanall.com

RoHS Compliant

DRAWING BY CY  
 CHECKED BY GENIUS  
 UNIT / mm SCALE 1 : 1  
 DATE  
 SIZE A4 PPROJECTION

TOLERANCES ARE

X, ±  
 .X ± 0.38  
 .XX ± 0.20  
 .XXX ± 0.10  
 ANG ±

照片框

ORDER INFORMATION

MJF13T25L-KX06B3YG-0808

SERIES 8P8C  
 LED-L LED-R  
 YELLOW / GREEN  
 REAR TAB 3.05mm  
 BLACK 06u" GOLD  
 NON EAR

DESCRIPTION: