

PCB LAYOUT

**Material**

Housing : Glass Filled Polyester (UL94V-0)

Standard Colour : Black

Contact : 0.35mm Dia Phosphor Bronze Gold Plating Over Nickel

Shielded: 0.20mm Thickness Copper Alloy With Tin plated

**RoHS Compliant**

TOLERANCES ARE

**MORETHANALL**  
PCB CONNECTORS  
Cable ASSEMBLIES

DRAWING BY CY

X.±

CHECKED BY GENIUS

.X±

UNIT / mm

SCALE 1 : 1

.XX±

DATE

.XXX±

ANG±

**煜倫股份有限公司**

www.morethanall.com

SIZE A4

P PROJECTION

照片框

**ORDER INFORMATION**

MJF13T25L-KX06B3GY43-0808

SERIES

BLACK

06u" GOLD  
NON EAR

8P8C

LED1 GREEN / YELLOW

REAR TAB 3.05mm

DESCRIPTION:

# Electrical Specifications:

Isolation Voltage:1500 Vrms(INPUT to output)

Rise Time(10-90%):2.5ns Typical

OCL:350uH Minimum @100KHz 8mADC

Insertion Loss:-1.0dB Max. @100KHz-100MHz

Return Loss:-16dB Minimum @1MHz-30MHz  
 -14dB Minimum @40MHz-50MHz  
 -13dB Minimum @60MHz  
 -10dB Minimum @80MHz

Crosstalk:-40dB Typ. @30KHz-100MHz

Operating Temperature:0°~+70°

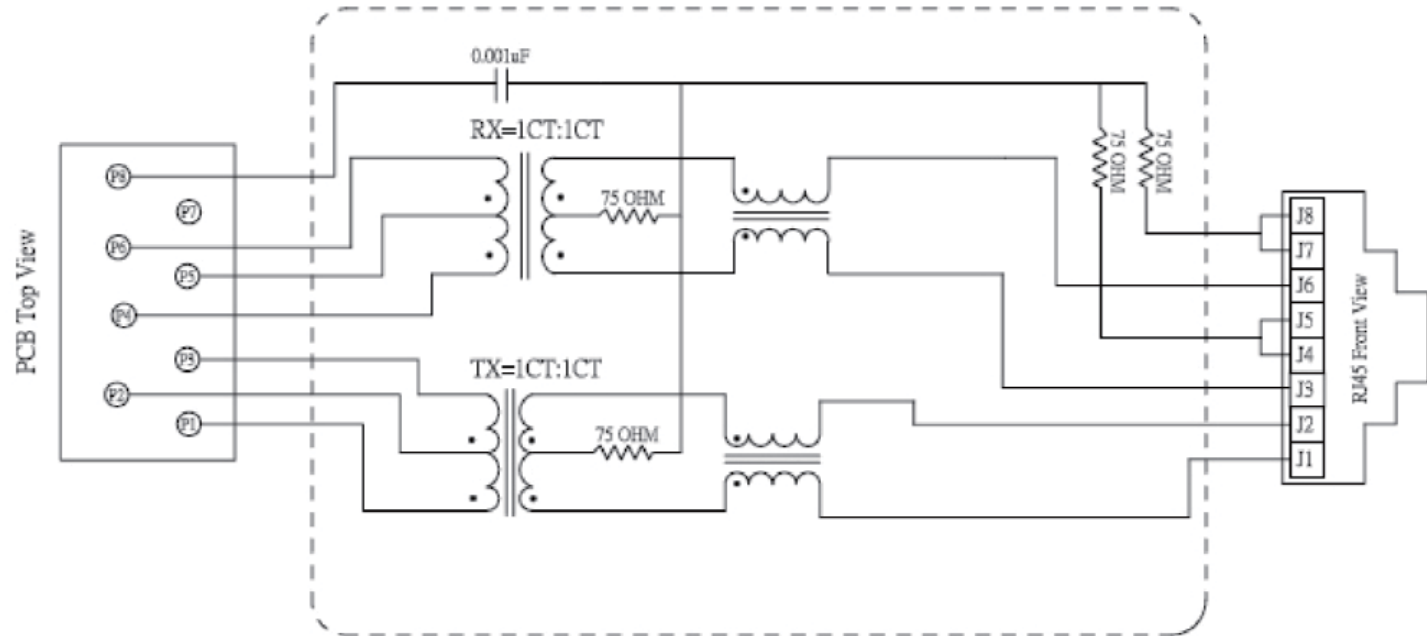
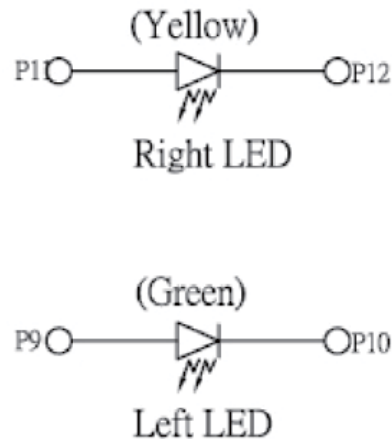
Turn Ratio:RX=1CT:1CT(±3%) TX=1CT:1CT(±3%)

Cw/w:28pF Typ. @100KHz 100mV

Leakage Inductance(TX&RX):0.5uH Max

CMRR:-40dB Typ. @100KHz - 100MHz

# Schematics:



RoHS Compliant

TOLERANCES ARE

**MORETHANALL**  
 PCB CONNECTORS  
 Cable ASSEMBLIES

DRAWING BY CY

X.±

CHECKED BY GENIUS

.X±

UNIT / mm

SCALE 1:1

.XX±

DATE

.XXX±

ANG±

照片框

ORDER INFORMATION

MJF13T25L-KX06B3GY43-0808

SERIES

LED1

GREEN / YELLOW

REAR TAB 3.05mm

06u" GOLD

NON EAR

BLACK

8P8C

LED2

煜倫股份有限公司

www.morethanall.com

SIZE A4

PJECTION

DESCRIPTION: