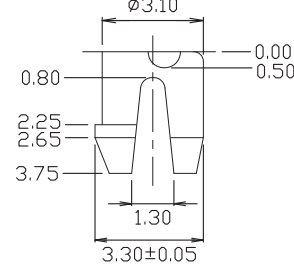
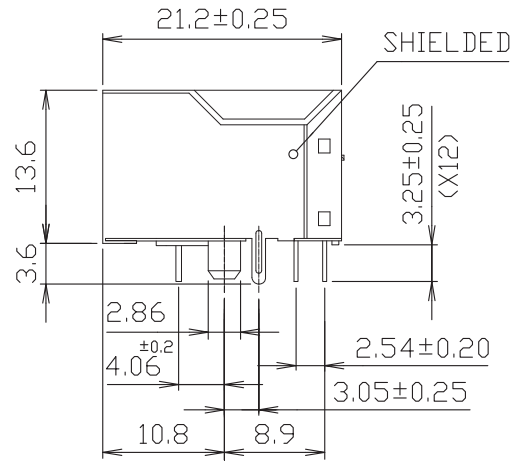
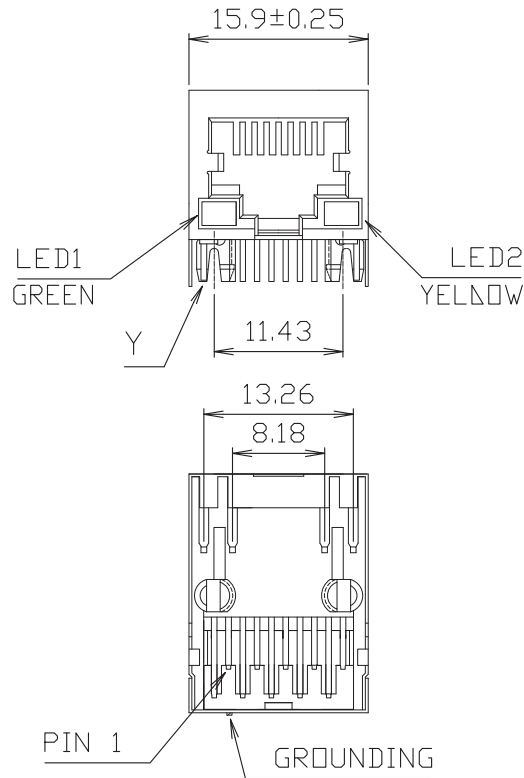
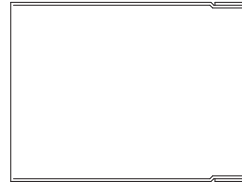
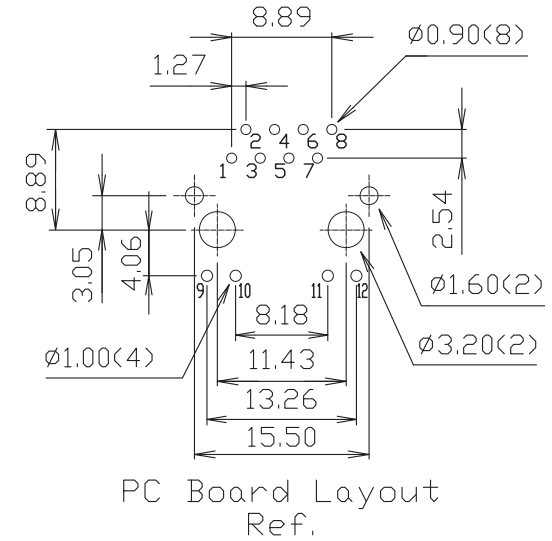


GREEN YELLOW
 9+ -10 11+ -12
 LED SCHEMATIC



- MATERIALS:
- HOUSING-PBT POLYESTER UL94V-0 MIXED GLASS FIBER, STANDARD ODOR-BLACK.
 - CONTACTS-0.35mm THICK PHOS-BRONZE PLATED WITH HARD GOLD AND GOLD FLASH IN SOLDER AREA.
 - SHIELD-0.25mm THICK COPPER ALLOY, PLATED WITH NICKEL.
- CAVITY CONFIRMS TO FCC RULES AND REGULATIONS PART 68,SUBPART F.



RoHS Compliant

TOLERANCES ARE

MORETHANALL
 PCB CONNECTORS
 Cable ASSEMBLIES

煜倫股份有限公司

www.morethanall.com

DRAWING BY CY

CHECKED BY GENIUS

UNIT / mm

SCALE 1 : 1

DATE

SIZE A4

X, ±
 .X ± 0.25
 .XX ± 0.13
 .XXX ± 0.05
 ANG ±

P PROJECTION

照片框

ORDER INFORMATION

MJF13T25L-KX06B3GY-0808

SERIES

8P8C
 LED1 GREEN / YELLOW
 LED2
 REAR TAB 3.05mm
 BLACK 06u" GOLD
 NON EAR

DESCRIPTION: SINGLE PORT, RJ45, SHIELDED, WITH LED WITH TRANSFORMER, SIDE ENTRY PCB JACK

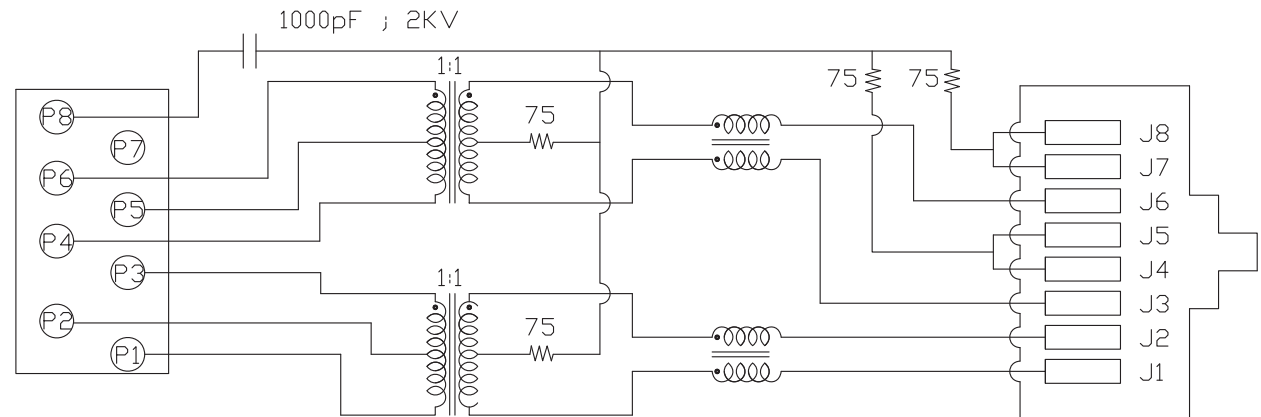
TRANSFORMER

ELECTRICAL CHARACTERISTICS:

- | | |
|---|---|
| 1. TURNS RATIO : | |
| (P6-P5-P4): (J6-J3) | : 1CT:1CT ± 3% |
| (P3-P2-P1): (J2-J1) | : 1CT:1CT ± 3% |
| 2. INDUCTANCE: (P6-P4) | : 350uH MIN. @ 0.1V, 100KHz,8mA DC Bias |
| (P3-P1) | : 350uH MIN. @ 0.1V, 100KHz,8mA DC Bias |
| 3. LEAKAGE INDUCTANCE: P6-P4 (WITH J6 AND J3 SHORT) | : 0.3 MAX. @ 1MHz |
| P3-P1 (WITH J2 AND J1 SHORT) | : 0.3 MAX. @ 1MHz |
| 4. INTERWINDING CAPACITANCE: (P6,P5,P4)TO(J6,J3) | : 30pf MAX. @1MHz |
| (P3,P2,P1)TO(J2,J1) | : 30pf MAX. @1MHz |
| 5. DC RESISTANCE: (J6-J3)=(J2-J1) | : 1.2 ohms Max. |
| 6. CROSSTALK | : -30dB MIN AT 1MHz TO 100MHz |
| 7. INSERTION LOSS | : -1.0dB MAX AT 1MHz TO 100MHz |
| 8. RETURN LOSS | : -20dB MIN AT 1MHz TO 30MHz |
| | : -15dB MIN AT 30MHz TO 60MHz |
| | : -10dB MIN AT 60MHz TO 80MHz |

NOTES

1.0 PINS WITHOUT ELECTRICAL CONNECTION ARE OMITTED



CONNECTOR SCHEMATIC

RoHS Compliant

TOLERANCES ARE

MORETHANALL
PCB CONNECTORS
Cable ASSEMBLIES

煜倫股份有限公司

www.morethanall.com

DRAWING BY CY

CHECKED BY GENIUS

UNIT / mm SCALE 1 : 1

DATE

SIZE A4

X, ±
.X ± 0.25
.XX ± 0.13
.XXX ± 0.05
ANG ±

PJECTION

照片框

ORDER INFORMATION

MJF13T25L-KX06B3GY-0808

SERIES

8P8C
LED1 GREEN / YELLOW
LED2
REAR TAB 3.05mm
06u" GOLD
NON EAR

BLACK

DESCRIPTION: TRANSFORMER SPECIFICATION