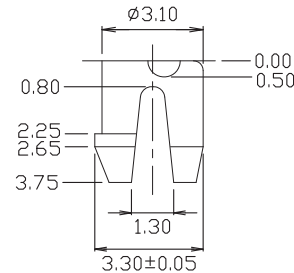
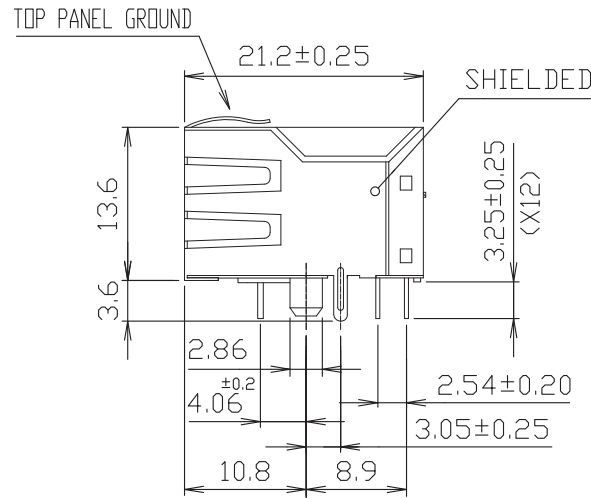
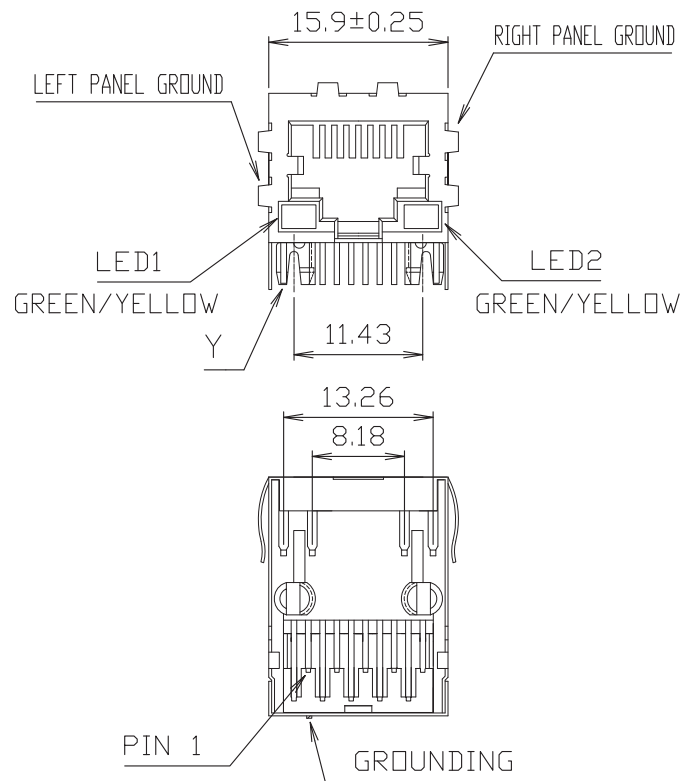
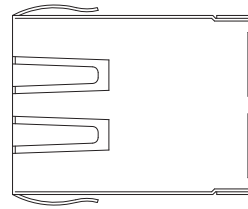


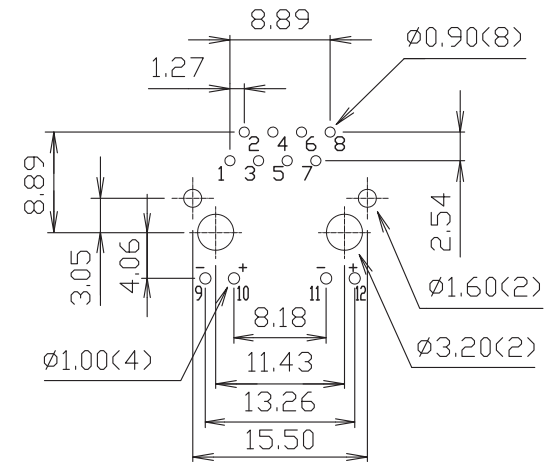
MATERIALS:

- HOUSING-PBT POLYESTER UL94V-0 MIXED GLASS FIBER. STANDARD COLOR-BLACK.
- CONTACTS-0.35mm THICK PHOS-BRONZE PLATED WITH 6u" HARD GOLD IN SOLDER AREA.
- SHIELD-0.25mm THICK COPPER ALLOY, PLATED WITH NICKEL.

CAVITY CONFIRMS TO FCC RULES AND REGULATIONS PART 68,SUBPART F.



DETAIL Y



PC Board Layout Ref.

RoHS Compliant

TOLERANCES ARE

MORETHANALL
PCB CONNECTORS
Cable ASSEMBLIES

DRAWING BY CY

CHECKED BY GENIUS

UNIT / mm

SCALE 1 : 1

DATE

SIZE A4

X, ±
.X ± 0.25
.XX ± 0.13
.XXX ± 0.05
ANG ±

PJECTION

照片框

ORDER INFORMATION

MJF13T25L-KF06B3GYGY-0808

SERIES

8P8C

LED1

GREEN, YELLOW / GREEN, YELLOW

REAR TAB 3.05mm

LED2

GREEN, YELLOW / GREEN, YELLOW

BLACK

06u" GOLD

FULL SPRING

煜倫股份有限公司

www.morethanall.com

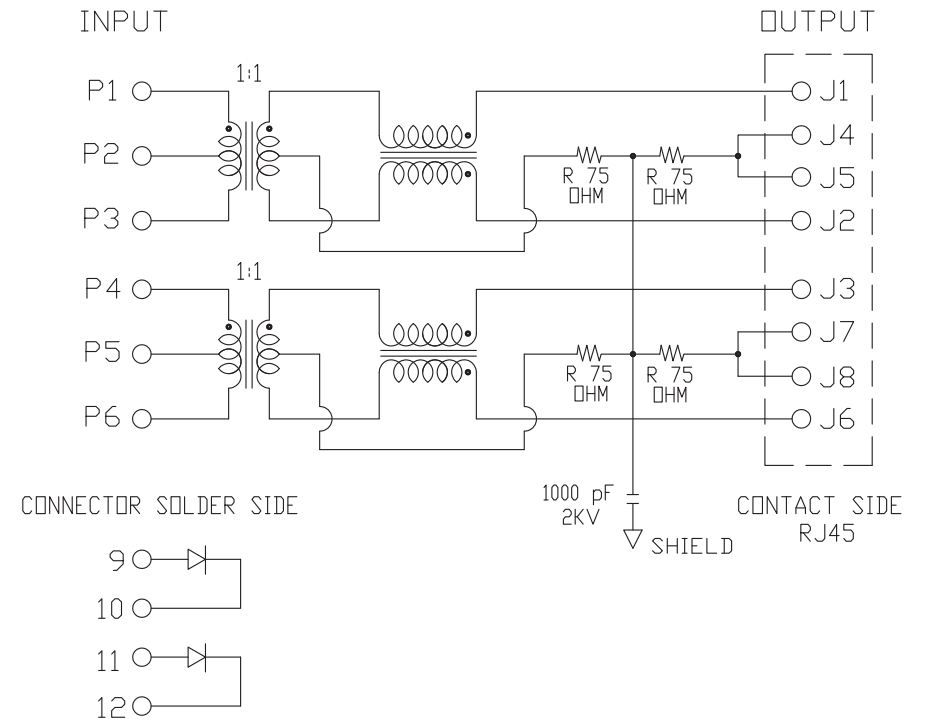
DESCRIPTION: SINGLE PORT, RJ45, SHIELDED, WITH LED WITH TRANSFORMER, SIDE ENTRY PCB JACK

TRANSFORMER TYPE X

Specification :

Item	Parameter	Condition	Min.	Typ.	Max.	Unit	REMARK
1	Insertion loss	1-100 MHz			-1	dB	
2	Return loss	1-30 MHz	-20			dB	NOTE 1
		30-60 MHz	-15			dB	
		60-80 MHz	-11			dB	
3	Crosstalk	@1-100 MHz	-30			dB	
4	Hipot	Vrms	1.5			kV	
5	Turns Ratio (Chip : Cable)	TX: 1 : 1 RX: 1 : 1				CT	
6	Direct Current resistance					Ω	
7	PRIMARY INDUCTANCE	@100 KHz, 0.1Vrms, 8mA (1-3),(4-6)	350			μ H	

*NOTE 1: LOAD 100 OHM.



CONNECTOR SCHEMATIC

MORETHANALL
PCB CONNECTORS
Cable ASSEMBLIES

煜倫股份有限公司

www.morethanall.com

RoHS Compliant

DRAWING BY CY

CHECKED BY GENIUS

UNIT / mm SCALE 1 : 1

DATE

SIZE A4

TOLERANCES ARE

X, \pm
.X \pm 0.25
.XX \pm 0.13
.XXX \pm 0.05
ANG \pm

PJECTION

照片框

ORDER INFORMATION

MJF13T25L-KF06B3GYGY-0808

SERIES

8P8C

LED1

GREEN, YELLOW /

REAR TAB 3.05mm

LED2

GREEN, YELLOW

BLACK

06u" GOLD

FULL SPRING

DESCRIPTION: TRANSFORMER TYPE X SPECIFICATION