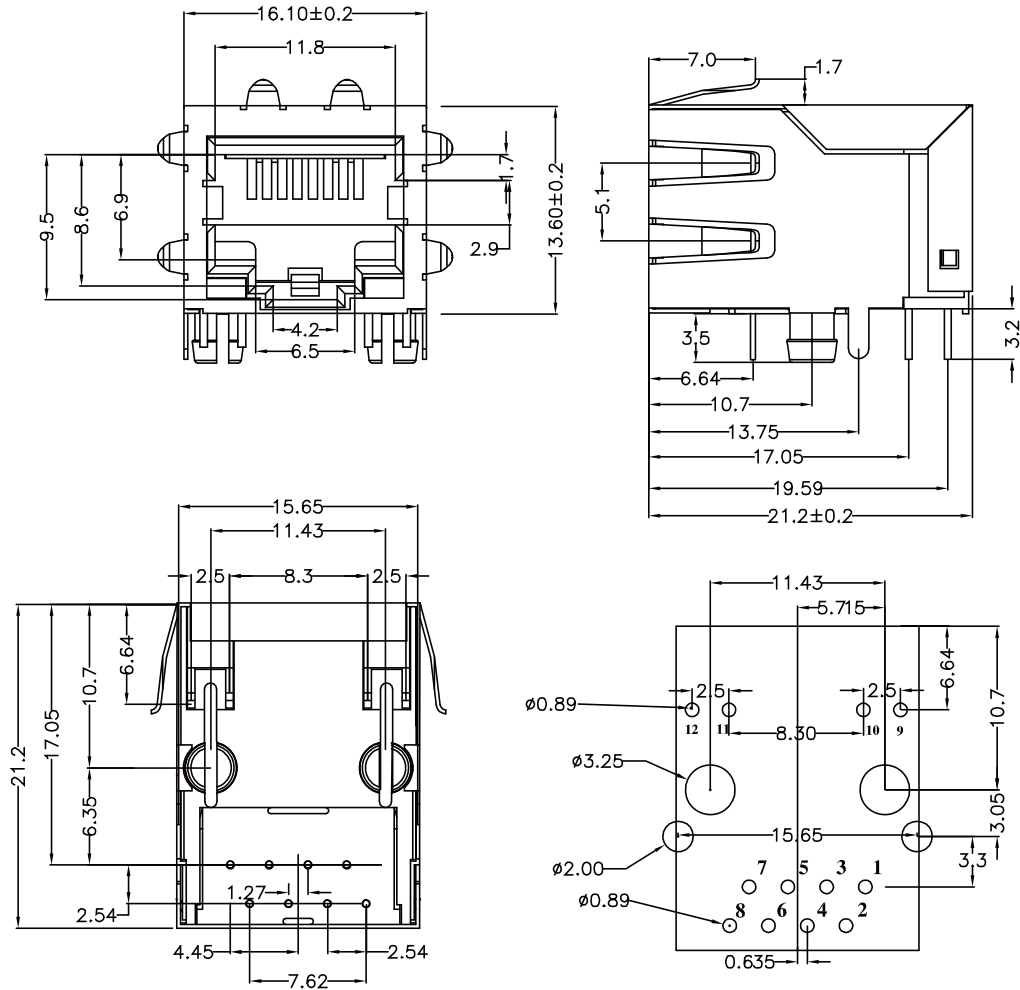


1 PORT RJ-45 JACK With 10/100Base-T Magnetics Module

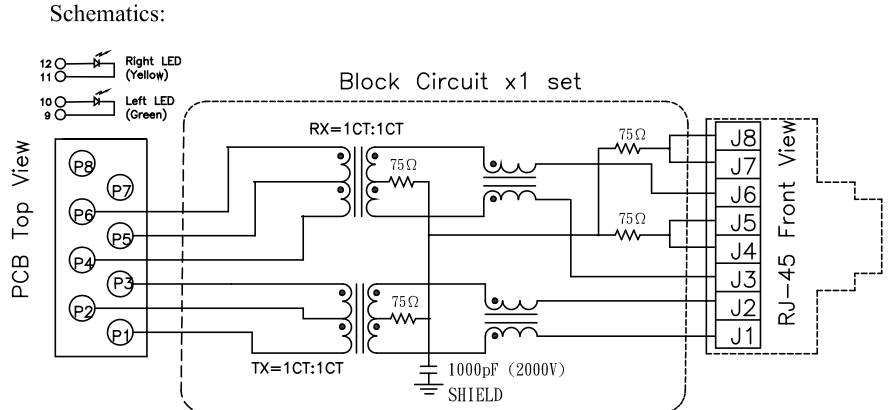
Electrical Specifications: @25°C

Isolation Voltage: 1500 Vrms (INPUT to OUTPUT)
 Rise Time (10-90%): 2.5ns Typical
 OCL: 350uH Min. @100KHz /100mV 8mADC
 Insertion Loss: -1.0dB Max. @100KHz - 100MHz
 Return Loss: -18dB Min. @1MHz - 30MHz
 -15dB Min. @40MHz - 50MHz
 -12dB Min. @60MHz - 80MHz
 Operating Temperature: 0°C ~ +70°C

Turn Ratios: RX=1CT:1CT(±3%) TX=1CT:1CT(±3%)
 Cw/w: 20pF Typ. @100KHz 100mV
 Leakage Inductance(TX&RX): 0.4uH Max.
 DCR: P1-P3: 0.5Ω Max. J1-J2: 1.1Ω Max.
 DCR: P4-P6: 0.5Ω Max. J3-J6: 1.1Ω Max.
 CMRR: -40dB Typ @100KHz -100MHz
 Crosstalk: -40dB Typ @100KHz -100MHz



TOP VIEW (COMPONENT SIDE)
RECOMMENDED P.C.B. LAYOUT



RoHS Compliant

TOLERANCES ARE

MORETHANALL
PCB CONNECTORS
Cable ASSEMBLIES

DRAWING BY CY
 CHECKED BY GENIUS
 UNIT / mm SCALE 1 : 1
 DATE
 SIZE A4 PPROJECTION

X, ±
 .X ±
 .XX ±
 .XXX ±
 ANG ±

照片框

ORDER INFORMATION

MJF13T25L-KF06B3GY78-0808
 SERIES 8P8C
 GREEN / YELLOW
 REAR TAB 3.05mm
 06u" GOLD
 FULL SPRING
 BLACK

DESCRIPTION:

煜倫股份有限公司

www.morethanall.com