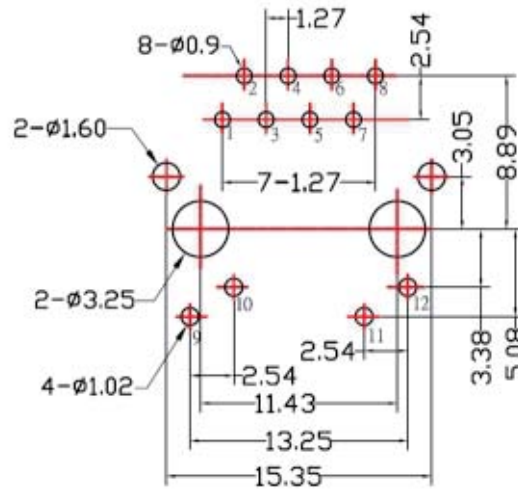
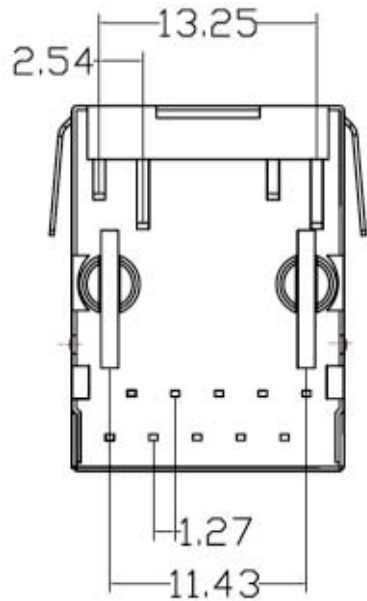


**Material**  
 Housing : Glass Filled Polyester (UL94V-0)  
 Standard Colour : Black  
 Contact : 0.35mm Dia Phosphor Bronze Gold Plating Over Nickel  
 Shielded: 0.20mm Thickness Copper Alloy With Tin plated



**RoHS Compliant**

TOLERANCES ARE

**MORETHANALL**  
 PCB CONNECTORS  
 Cable ASSEMBLIES

DRAWING BY CY

X.±

CHECKED BY GENIUS

.X±

UNIT / mm

SCALE 1 : 1

.XXX±

DATE

ANG±

**煜倫股份有限公司**

www.morethanall.com

SIZE A4

PJECTION

照片框

**ORDER INFORMATION**

MJF13T25L-KF06B3GY53-0808

SERIES

8P8C

GREEN / YELLOW

REAR TAB 3.05mm

06u" GOLD

FULL SPRING

BLACK

DESCRIPTION:

## Electrical Specifications:

Isolation Voltage:1500 Vrms(INPUT to output)

Rise Time(10-90%):2.5ns Typical

OCL:350uH Minimum @100KHz 8mADC

Insertion Loss:-1.0dB Max. @100KHz-100MHz

Return Loss:-16dB Minimum @1MHz-30MHz

-14dB Minimum @40MHz-50MHz

-13dB Minimum @60MHz

-10dB Minimum @80MHz

Crosstalk:-40dB Typ. @30KHz-100MHz

Operating Temperature:0°~+70°

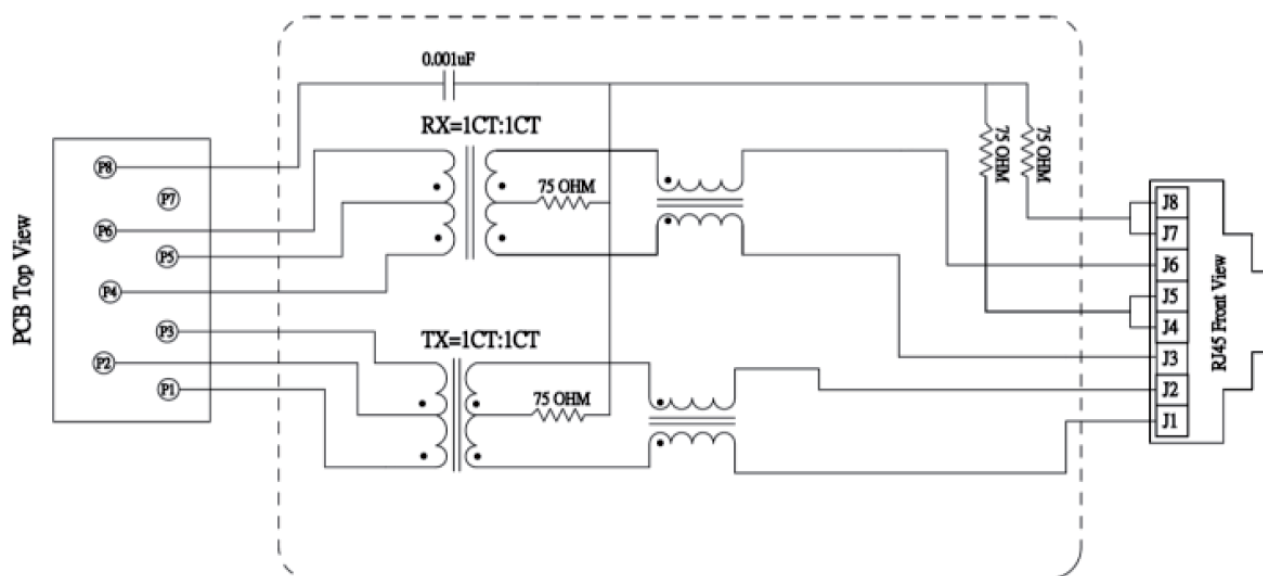
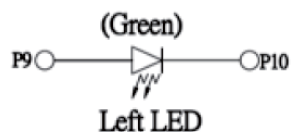
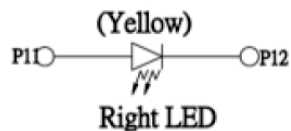
Turn Ratio:RX=1CT:1CT(±3%) TX=1CT:1CT(±3%)

Cw/w:28pF Typ. @100KHz 100mV

Leakage Inductance(TX&RX):0.5uH Max

CMRR:-40dB Typ. @100KHz - 100MHz

## Schematics:



RoHS Compliant

TOLERANCES ARE

**MORETHANALL**  
PCB CONNECTORS  
Cable ASSEMBLIES

DRAWING BY CY

X. ±

CHECKED BY GENIUS

.X ±

UNIT / mm

SCALE 1 : 1

.XX ±

.XXX ±

ANG ±

DATE

SIZE A4

PPOJECTION

照片框

ORDER INFORMATION

MJF13T25L-KF06B3GY53-0808

SERIES

8P8C

GREEN / YELLOW  
REAR TAB 3.05mm

06u" GOLD  
FULL SPRING  
BLACK

煜倫股份有限公司

www.morethanall.com

DESCRIPTION: