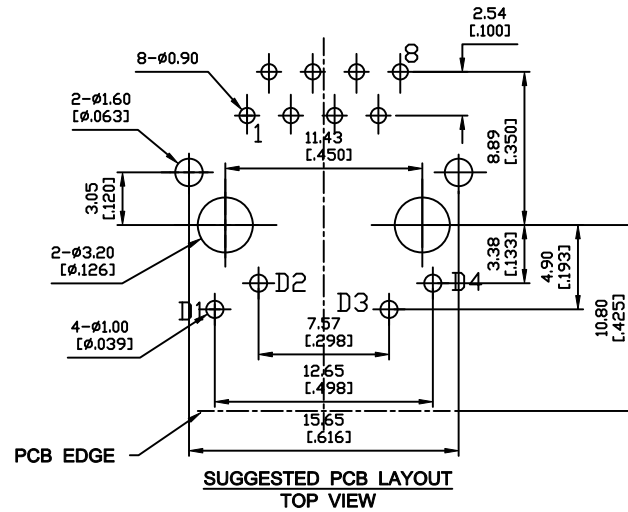
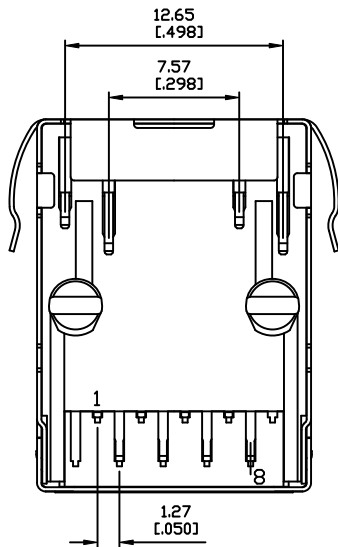
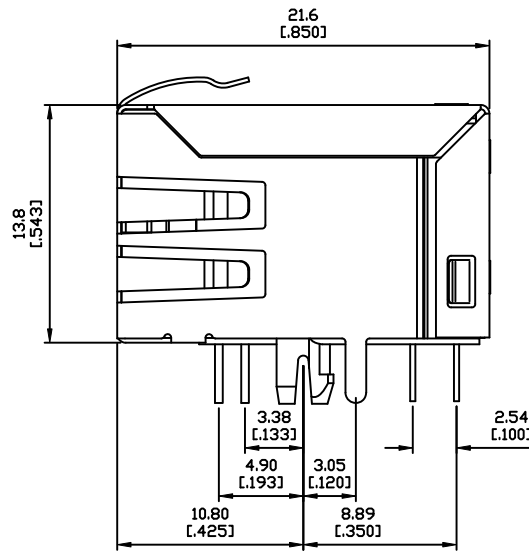
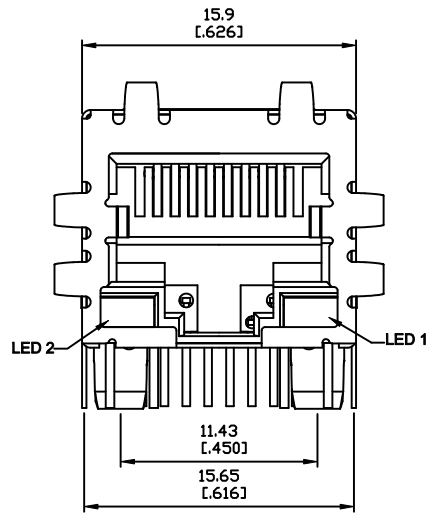


# 1. MECHANICAL DIMENSIONS:



## Material:

- 1.Housing: Thermoplastic UL 94V-0
- 2.Contact : Selective Gold Plating
- 3.Terminal: 0.35mm Thickness Phosphor Bronze Plated With Gold And Tin In Solder Area.
- 4.Shielded: Brass ,Nickel Plating
- 5.Operating Temperature Range : 0°C~70°C

**LED Polarity Table**  
(Applicable only for single-colored LED)

脚位 編號	LED 2 (Left)	LED 1 (Right)
0		
1		
2		
3		

**LED Color Options Table**

LED Color Options		LED DASH OPTION
LED 2 (Left)	LED 1 (Right)	
No LED	No LED	0
Yellow	Green	1
No LED	Green	2
Yellow	No LED	3
Green	Yellow	4
Green	Green	5
Yellow	Yellow	6
Orange/Green	Orange/Green	7
Yellow/Green	Yellow/Green	8
Orange/Green	Yellow	9

RoHS Compliant

TOLERANCES ARE

**MORETHANALL**  
PCB CONNECTORS  
Cable ASSEMBLIES

DRAWING BY CY

X. ±  
.X ± 0.30

CHECKED BY GENIUS

.XX ±  
.XXX ±  
ANG ± 3°

UNIT / mm

SCALE 1 : 1

DATE

SIZE A4

PPOJECTION

照片框

ORDER INFORMATION

MJF13T25L-KF06B3GY43-0808

SERIES

8P8C

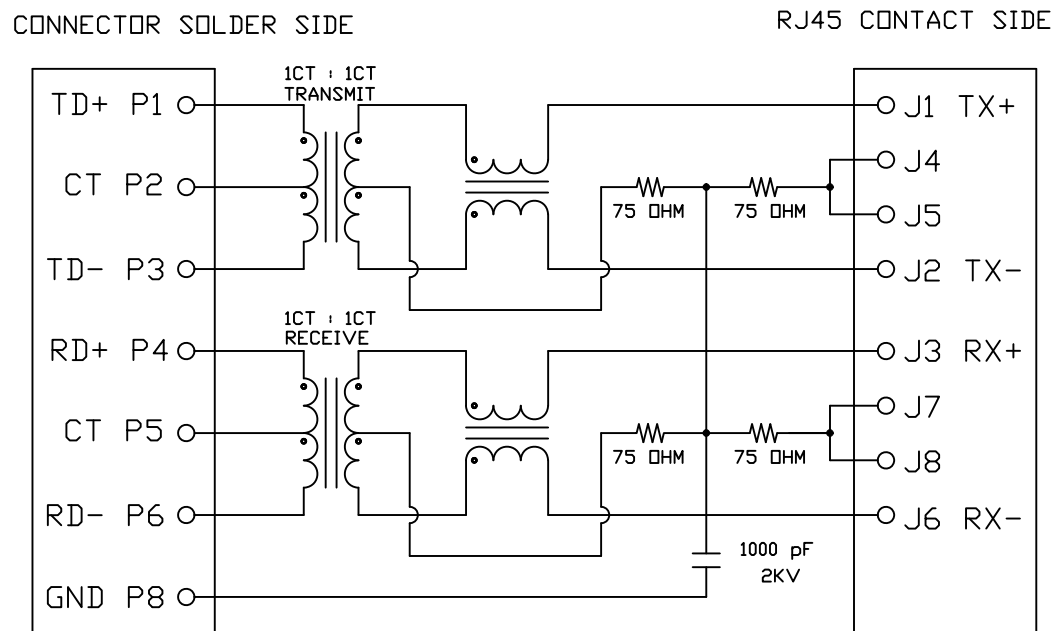
BLACK | GREEN / YELLOW  
06u" GOLD  
FULL SPRING

煜倫股份有限公司

www.morethanall.com

DESCRIPTION: RJ45 JACK +TSFM 10/100M

## 1. SCHEMATIC:



## 2. ELECTRICAL CHARACTERISTICS :

Test Notes:(25±5°C)

1.TR:(100KHz,0.1V):

Pins:(P1-P3):(J1-J2)=1:1±3%

Pins:(P4-P6):(J3-J6)=1:1±3%

2.LX:(100KHz,100mV,8mA, DC Bias)

Pins:(P1-P3),(P4-P6)=350uH Minimum

3.DCR:

Pins:(J1-J2),(J3-J6)=1.2 Ω Maximum

4.HIPOT:

Pins:(P1,P3)To(J1,J2)=1500VAC For 60s or 2250VDC 60s

Pins:(P4,P6)To(J3,J6)=1500VAC For 60s or 2250VDC 60s

5.INSERTION LOSS:

-1.0dB Maximum At 0.3MHZ To 100MHZ

6.RETURN LOSS:

-18dB Minimum At 1MHz To 30MHz,load 100 Ω ;

-16dB Minimum At 30MHz To 60MHz,load 100 Ω ;

-12dB Minimum At 60MHz To 80MHz,load 100 Ω .

7.CROSS TALK:

-30dB Minimum At 1MHz To 100MHz

8.COMMON TO COMMON MODE REJECTION:

-30dB Minimum At 1MHz To 100MHz

RoHS Compliant

TOLERANCES ARE

**MORETHANALL**  
PCB CONNECTORS  
Cable ASSEMBLIES

煜倫股份有限公司

www.morethanall.com

DRAWING BY CY

CHECKED BY GENIUS

UNIT / mm

SCALE 1 : 1

DATE

SIZE A4

PJECTION

X. ±  
.X ± 0.30  
.XX ±  
.XXX ±  
ANG ± 3°

照片框

ORDER INFORMATION

MJF13T25L-KF06B3GY43-0808

SERIES

8P8C

BLACK | GREEN / YELLOW  
06u" GOLD  
FULL SPRING  
REAR TAB 3.05mm

DESCRIPTION: RJ45 JACK +TSFM 10/100M