

PCB LAYOUT

MATERIALS:

PLASTIC HOUSING: HIGH TEMP THERMOPLASTIC

FLAMMABILITY RATING UL 94V-0.

CONTACTS: PHOSPHOR BRONZE

PLATING: GOLD PLATING OVER NICKEL IN CONTACT.

TIN PLATING OVER NICKEL IN SOLDER AREA.

SHIELD: BRASS PLATING NICKEL ALLOY.

Electrical:

1.Voltage Rating:125 Vac Rms.

2.Current Rating:1.5 Amp.

3.Contact Resistance:40 Milliohms Max.

4.Insulation Resistance:1000 Megohms Min @500 Vdc.

5.Dielectric Strength:1000 Vac Rms 60Hz, 1Min.

Mechanical:

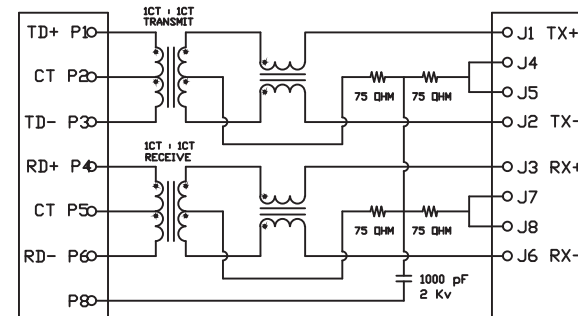
1.Operating:750 Cycles Min.

Environmental:

1.Storage:-40°C To +85°C.

2.Operation:-20°C To +75°C.

Mates With Modular Plug Conforming To FCC Part 68, Subpart F.



RoHS Compliant

TOLERANCES ARE

MORETHANALL
PCB CONNECTORS
Cable ASSEMBLIES

DRAWING BY CY

X. ± 0.50

CHECKED BY GENIUS

.X ± 0.38

UNIT / mm

SCALE 1 : 1

.XX ± 0.25

DATE

.XXX ± 0.10

ANG ±

SIZE A4

PPOJECTION

照片框

ORDER INFORMATION

MJF13T25L-KF06B3GY-0808

SERIES

8P8C

GREEN / YELLOW

REAR TAB 3.05mm

06u" GOLD

FULL SPRING

BLACK

煜倫股份有限公司

www.morethanall.com

DESCRIPTION: