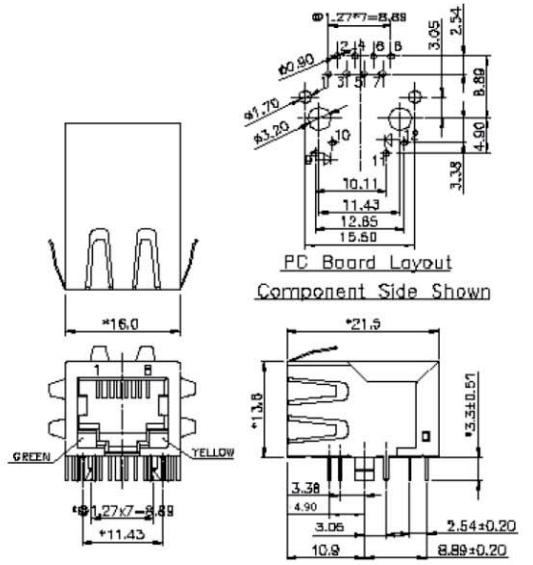


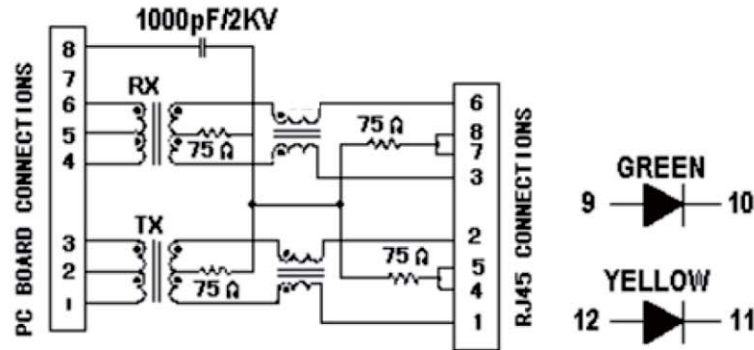
# Mechanicals Dimensions



UNIT:mm Unless otherwise specified, all tolerances are ± 0.25

PC Board Layout  
Component Side Shown

# Schematics



ELECTRICAL SPECIFICATIONS@25°C:

Turn Ratio(±5%): TX&RX=1CT:1CT

OCL(100KHz/0.1V@8mA): 350uH MIN.

INSERTION LOSS (dB TYP): -1.0dB(1-65MHZ)

Return Loss (dB TYP):

-20dB(1-10MHZ); -16dB(10-30MHZ); -12dB(30-60MHZ); -10dB(60-80MHZ)

CrossTalk(dB TYP):

-40dB(1-30MHZ);-35dB(30-60MHZ);-30dB(60-100MHZ)

CMR(dB TYP): -30dB(1-50MHZ);-20dB(50-150MHZ)

HI-POT:1500Vrms/0.5mA/1MIN

Operating Temperature: 0°C~70°C

RoHS compliance:YES

RoHS Compliant

TOLERANCES ARE

**MORETHANALL**  
PCB CONNECTORS  
Cable ASSEMBLIES

DRAWING BY CY

X, ±

CHECKED BY GENIUS

.X ±

UNIT / mm

SCALE 1 : 1

.XXX ±

DATE

ANG ±

煜倫股份有限公司

www.morethanall.com

SIZE A4

PPOJECTION

照片框

ORDER INFORMATION

MJF13T25L-KF06B3GXXY43-0808

SERIES

BLACK

06u" GOLD

REAR TAB 3.05mm

FULL SPRING

LED1

GREEN / X / X/YELLOW

8P8C

LED2

X/YELLOW

DESCRIPTION:

## Mechanicals

### Housing Material:

MATERIAL:NYLON GF (Fr50) UL94V-0 STANDARD COLOR:BLACK

### Insert Material:

MATERIAL:Phos-Bronze C5210 EH---0.35mm Thickness

Insert -PBT GF UL94V-0

- 1.PLATING(1) NICKEL 50u " ~80u "
- 2.PLATING(2) 100%Sn 100u " ~150u "
- 3.PLATING(3) GOLD (3u " ~50u " )

### Plate Material:

PBT GF UL 94V-0

### Contact pin Material:

MATERIAL: Phos-Bronze C5210 EH---0.35mm Thickness

- 1.PLATING(1) NICKEL 30u " ~70u "
- 2.PLATING(2) 100%Sn 100u " ~150u "

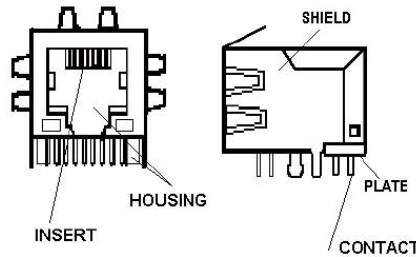
### Shielding Material:

BRASS C2680 H.---0.25mm THICKNESS PLATING NICKEL 30U " -50U "

Operating Life:750 Cycles MIN.

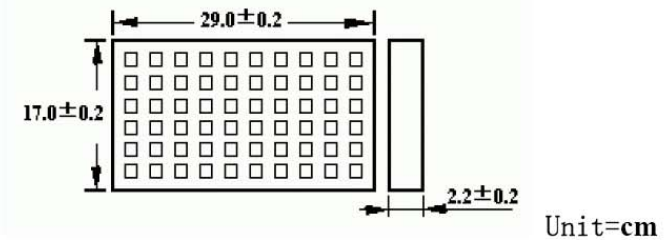
## Environmental

- 1.Storage Temp:-40°C TO +85°C.
- 2.Operating Temp: 0°C TO +70°C.
- 3.Wave Soldering Temperature:230~250°C(3~5 SECONDS)
4. MATES WITH MODULAR PLUG CONFORMING TO FCC PART 68,SUBPART F.

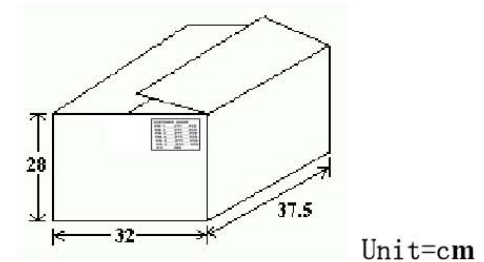


## Packaging

1. packaging unit : 60 PCS/tray
2. packaging material : PVC



3. outer carton unit: 1320 pcs/ 22 Trays/box



### RoHS Compliant

TOLERANCES ARE

**MORETHANALL**  
PCB CONNECTORS  
Cable ASSEMBLIES

煜倫股份有限公司

www.morethanall.com

DRAWING BY CY

CHECKED BY GENIUS

UNIT / mm SCALE 1 : 1

DATE

SIZE A4

X, ±

.X ±

.XX ±

.XXX ±

ANG ±

PJECTION

照片框

### ORDER INFORMATION

MJF13T25L-KF06B3GXXY43-0808

SERIES

BLACK

06u" GOLD

REAR TAB 3.05mm  
FULL SPRING

8P8C

LED1

GREEN / X / X / YELLOW

LED2

DESCRIPTION: