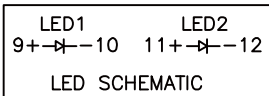
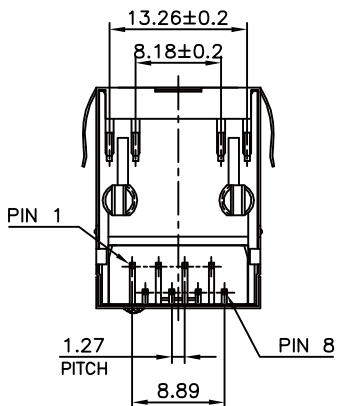
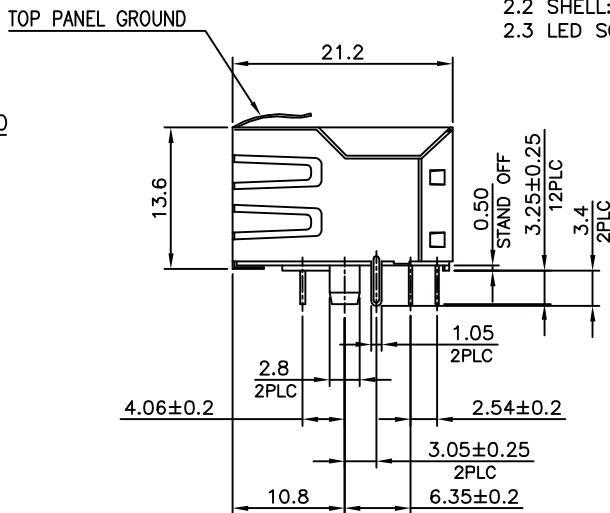
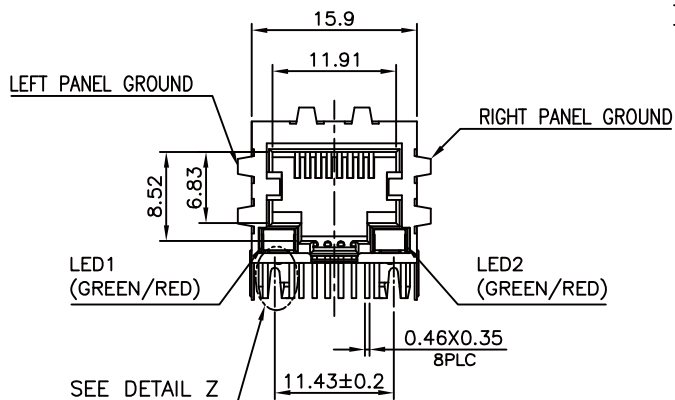
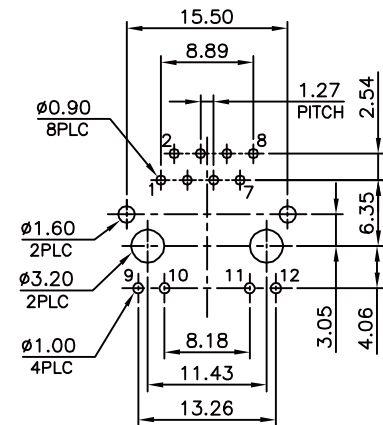


DETAIL Z
SCALE 2:1



NOTE:
CAVITY CONFIRMS TO FCC RULES AND REGULATIONS PART 68, SUBPART F.

1. MATERIAL:
 1.1 HOUSING: PBT, WITH GLASS FIBER, UL94V-0, STANDARD COLOR-BLACK.
 1.2 INSERT HOUSING: PA46, WITH GLASS FIBER, UL94V-0, STANDARD COLOR-BLACK.
 1.3 CONTACTS: PHOSPHOR BRONZE.
 1.4 SHELL: BRASS.
 1.5 LED SOLDER TAIL: STEEL.
2. FINISH:
 2.1 CONTACTS: GOLD PLATED ON CONTACT AREA, GOLD FLASH ON SOLDER TAIL, 1.27 μ m [50 μ '] MIN. NICKEL UNDERPLATED OVERALL.
 2.2 SHELL: 0.508 μ m [20 μ '] MIN. NICKEL PLATED.
 2.3 LED SOLDER TAIL: 2.032 μ m [80 μ '] MIN. TIN PLATED.



RECOMMENDED PCB LAYOUT
PCB THICKNESS: 1.6mm
TOLERANCE: ± 0.05 mm (TOP VIEW)

RoHS Compliant

TOLERANCES ARE



DRAWING BY CY

X. \pm

CHECKED BY GENIUS

.X ± 0.25

UNIT / mm

SCALE 1:1

.XX ± 0.13

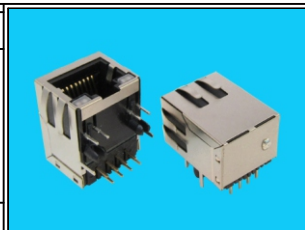
DATE

.XXX ± 0.05

ANG \pm

SIZE A4

PPOJECTION



ORDER INFORMATION

MJF13T25L-KF06B3GRGR-0808

SERIES

LED1

LED2

8P8C

GREEN,RED/ GREEN,RED

REAR TAB 3.05mm

BLACK

06u" GOLD

FULL SPRING

煜倫股份有限公司

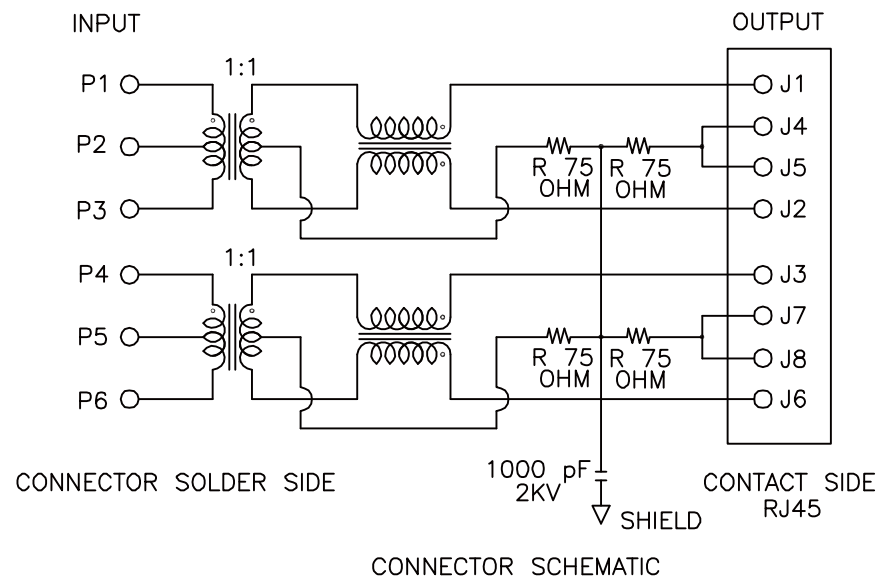
www.morethanall.com

DESCRIPTION:RJ45, FLAT PIN, WITH LED, WITH SHELL, SIDE ENTRY PCB JACK

Specification :

Item	Parameter	Condition	Min.	Typ.	Max.	Unit	REMARK
1	Insertion loss	1-100 MHz			-1	dB	
2	Return loss	1-30 MHz	-20			dB	NOTE 1
		30-60 MHz	-15			dB	
		60-80 MHz	-11			dB	
3	Crosstalk	@1-100 MHz	-30			dB	
4	Hipot	Vrms	1.5			kV	
5	Turns Ratio (Chip : Cable)	TX: 1 : 1 RX: 1 : 1				CT	
6	Direct Current resistance					Ω	
7	PRIMARY INDUCTANCE	@100 KHz, 0.1Vrms, 8mA (1-3),(4-6)	350			uH	

* NOTE 1: LOAD 100 OHM.



RoHS Compliant

TOLERANCES ARE

MORETHANALL
PCB CONNECTORS
Cable ASSEMBLIES

DRAWING BY CY

X, ±

CHECKED BY GENIUS

.X ± 0.25

UNIT / mm

SCALE 1 : 1

.XX ± 0.13

.XXX ± 0.05

DATE

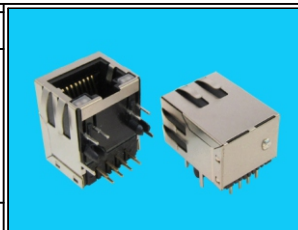
ANG ±

煜倫股份有限公司

www.morethanall.com

SIZE A4

P PROJECTION



ORDER INFORMATION

MJF13T25L-KF06B3GRGR-0808

SERIES

BLACK

06u" GOLD

REAR TAB 3.05mm

FULL SPRING

8P8C

LED1

GREEN, RED / GREEN, RED

LED2

DESCRIPTION: RJ45, FLAT PIN, WITH LED, WITH SHELL, SIDE ENTRY PCB JACK