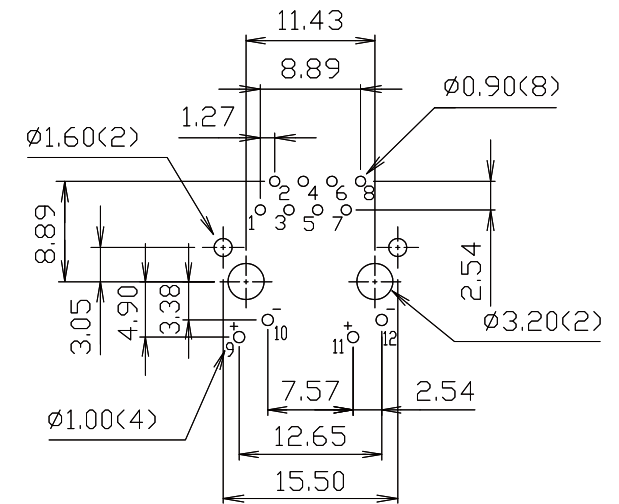
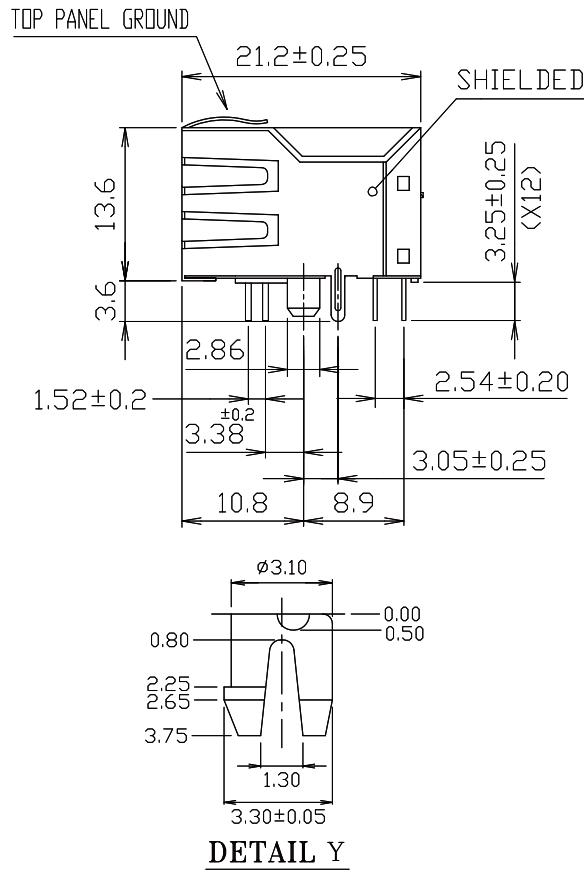
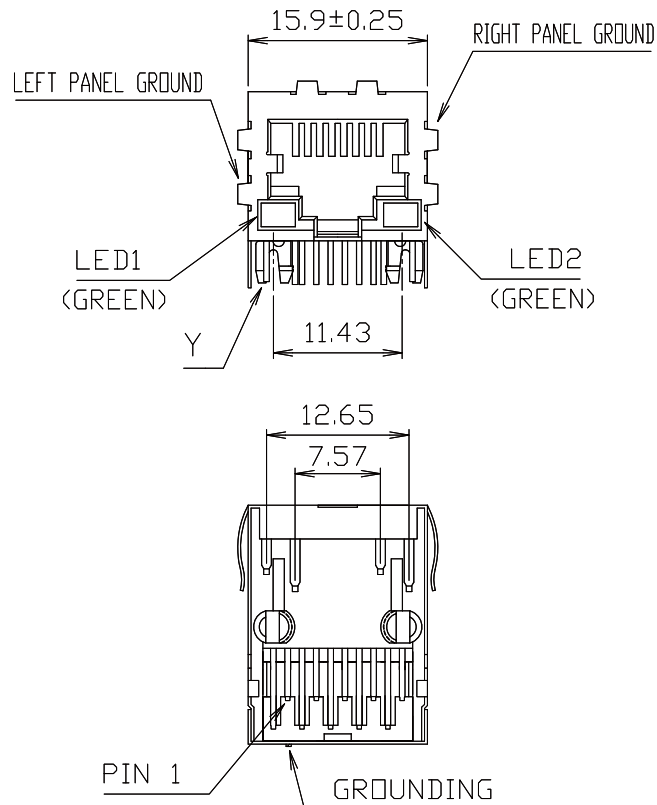


- MATERIALS:
- HOUSING-PBT POLYESTER UL94V-0 MIXED GLASS FIBER. STANDARD COLOR-BLACK.
 - CONTACTS-0.35mm THICK PHOS-BRONZE PLATED WITH 6u" HARD GOLD IN SOLDER AREA.
 - SHIELD-0.25mm THICK COPPER ALLOY, PLATED WITH NICKEL.

CAVITY CONFIRMS TO FCC RULES AND REGULATIONS PART 68,SUBPART F.



PC Board Layout Ref.

RoHS Compliant

TOLERANCES ARE

MORETHANALL
PCB CONNECTORS
Cable ASSEMBLIES
煜倫股份有限公司
www.morethanall.com

DRAWING BY CY

CHECKED BY GENIUS

UNIT / mm SCALE 1 : 1

DATE

SIZE A4

X ±
.X ± 0.25
.XX ± 0.13
.XXX ± 0.05
ANG ±

P PROJECTION

照片框

ORDER INFORMATION

MJF13T25L-KF06B3GG43-0808

SERIES

8P8C

BLACK

06u" GOLD

FULL SPRING

LED1 : GREEN / LED2: GREEN

REAR TAB 3.05mm

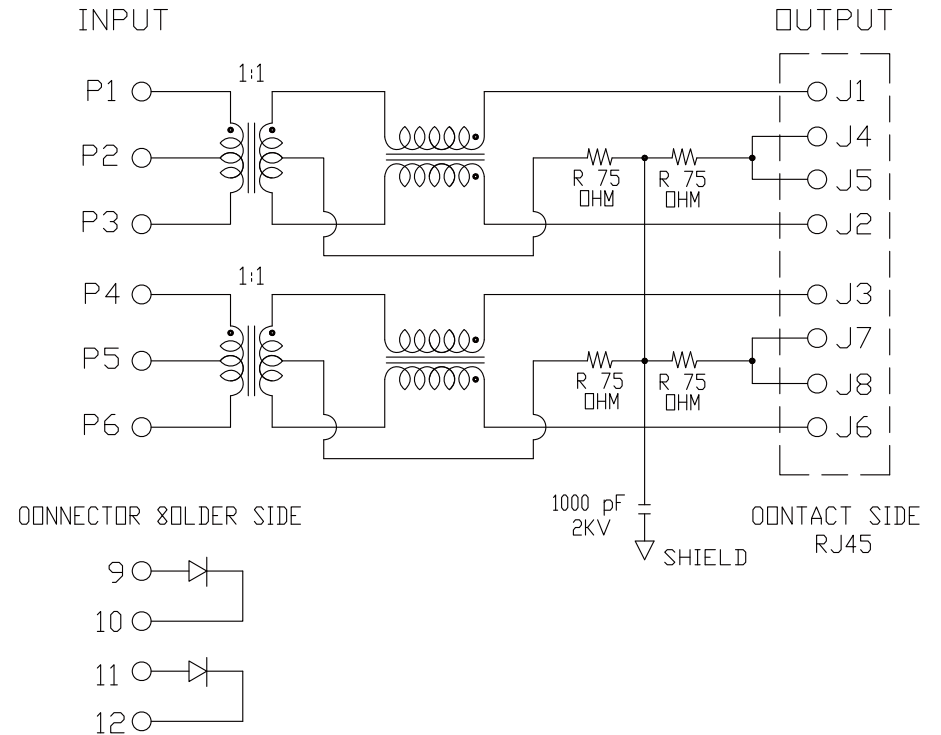
DESCRIPTION: TRANSFORMER TYPE X SPECIFICATION

TRANSFORMER TYPE X

Specification :

Item	Parameter	Condition	Min.	Typ.	Max.	Unit	REMARK
1	Insertion loss	1-100 MHz			-1	dB	
2	Return loss	1-30 MHz	-20			dB	NOTE 1
		30-60 MHz	-15			dB	
		60-80 MHz	-11			dB	
3	Crosstalk	@1-100 MHz	-30			dB	
4	Hipot	V _{rms}	1.5			kV	
5	Turns Ratio (Chip : Cable)	TX: 1 : 1 RX: 1 : 1				CT	
6	Direct Current resistance					Ω	
7	PRIMARY INDUCTANCE	@100 KHz, 0.1V _{rms} , 8mA (1-3),(4-6)	350			μH	

*NOTE 1: LOAD 100 OHM.



CONNECTOR SCHEMATIC

MORETHANALL
PCB CONNECTORS
Cable ASSEMBLIES

煜倫股份有限公司

www.morethanall.com

RoHS Compliant

DRAWING BY CY

CHECKED BY GENIUS

UNIT / mm SCALE 1 : 1

DATE

SIZE A4

TOLERANCES ARE

X ±
.X ± 0.25
.XX ± 0.13
.XXX ± 0.05
ANG ±

PJECTION

照片框

ORDER INFORMATION

MJF13T25L-KF06B3GG43-0808

SERIES

8P8C

LED1 : GREEN / LED2: GREEN
REAR TAB 3.05mm
BLACK 06u" GOLD FULL SPRING

DESCRIPTION: TRANSFORMER TYPE X SPECIFICATION