

MATERIALS:

PLASTIC HOUSING: HIGH TEMP. THERMOPLASTIC

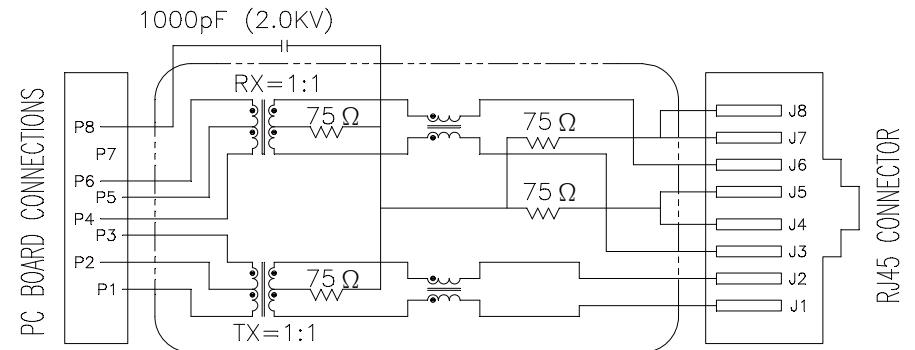
FLAMMABILITY RATING UL 94V-0.

CONTACTS: PHOSPHOR BRONZE

PLATING: GOLD PLATING OVER NICKEL IN CONTACT.

TIN PLATING OVER NICKEL IN SOLDER AREA.

SHIELD: BRASS PLATING NICKEL ALLOY.



RoHS Compliant

TOLERANCES ARE

MORETHANALL
PCB CONNECTORS
Cable ASSEMBLIES

DRAWING BY CY

X.±

CHECKED BY GENIUS

.X±

UNIT / mm

SCALE 1:1

.XX±

DATE

.XXX±

ANG±

照片框

ORDER INFORMATION

MJF13T25-KX06B3-0808-LF

SERIES

LEADFREE

8P8C

REAR TAB 3.05mm

06u" GOLD

NON EAR

BLACK

煜倫股份有限公司

www.morethanall.com

SIZE A4

PJECTION

DESCRIPTION:10/100 BaseT RJ45