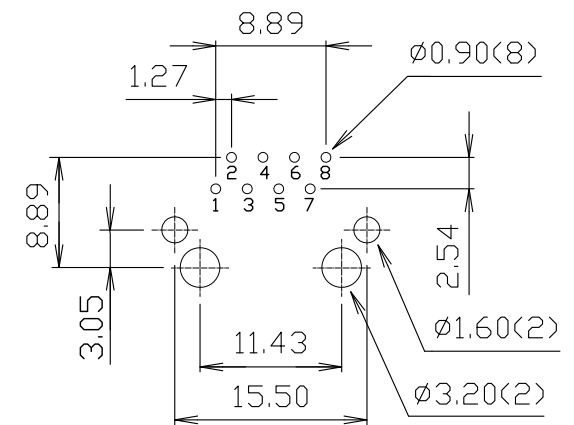


**DETAIL Y**

**MATERIAL:**

- HOUSING-PBT POLYESTER UL94V-0 MIXED GLASS FIBER, STANDARD COLOR-BLACK
- CONTACTS-0.35mm THICK PHOS-BRONZE WITH HARD GOLD AND GOLD FLASH PLATED IN SOLDER AREA.
- SHIELD-0.20mm THICK COPPER ALLOY, PLATED WITH NICKEL.

CAVITY CONFIRMS TO FCC RULES AND REGULATIONS PART 68,SUBPART F.



PC Board Layout Ref.

**RoHS Compliant**

TOLERANCES ARE

**MORETHANALL**  
PCB CONNECTORS  
Cable ASSEMBLIES

DRAWING BY CY

X, ±

CHECKED BY GENIUS

.X ± 0.25

UNIT / mm

SCALE 1 : 1

.XX ± 0.13

DATE

.XXX ± 0.05

ANG ±

SIZE A4

PPOJECTION

照片框

**ORDER INFORMATION**

**MJF13T25-KF06B3-0808-LF**

SERIES

LEADFREE

8P8C

REAR TAB 3.05mm

06u" GOLD

FULL SPRING

BLACK

**煜倫股份有限公司**

[www.morethanall.com](http://www.morethanall.com)

DESCRIPTION: SINGLE PORT, RJ45, SHIELDED, FLAT PIN WITH TRANSFORMER, SIDE ENTRY PCB JACK

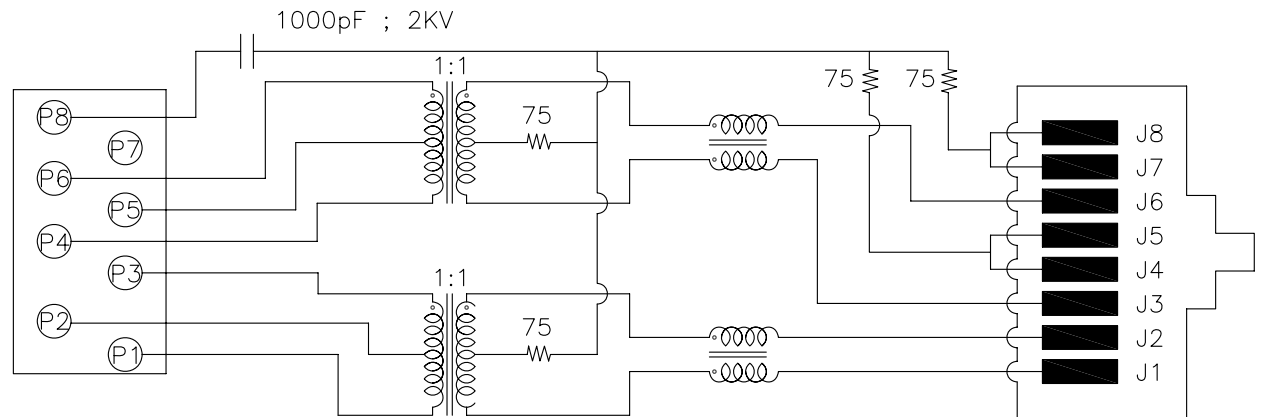
# TRANSFORMER

## ELECTRICAL CHARACTERISTICS:

- |   |   |
|---|---|
| 1. TURNS RATIO :                                    |   |
| (P6-P5-P4): (J6-J3)                                 | :1CT:1CT ± 3%                           |
| (P3-P2-P1): (J2-J1)                                 | :1CT:1CT ± 3%                           |
| 2. INDUCTANCE: (P6-P4)                              | : 350uH MIN. @ 0.1V, 100KHz,8mA DC Bias |
| (P3-P1)   | : 350uH MIN. @ 0.1V, 100KHz,8mA DC Bias |
| 3. LEAKAGE INDUCTANCE: P6-P4 (WITH J6 AND J3 SHORT) | : 0.3 MAX. @ 1MHz                       |
| P3-P1 (WITH J2 AND J1 SHORT)                        | : 0.3 MAX. @ 1MHz                       |
| 4. INTERWINDING CAPACITANCE: (P6,P5,P4)TO(J6,J3)    | : 30pf MAX. @1MHz                       |
| (P3,P2,P1)TO(J2,J1)                                 | : 30pf MAX. @1MHz                       |
| 5. DC RESISTANCE: (J6-J3)=(J2-J1)                   | : 1.2 ohms Max.                         |
| 6. CROSSTALK  | :-30dB MIN AT 1MHz TO 100MHz            |
| 7. INSERTION LOSS                                   | :-1.0dB MAX AT 1MHz TO 100MHz           |
| 8. RETURN LOSS                                      | :-20dB MIN AT 1MHz TO 30MHz             |
|   | -15dB MIN AT 30MHz TO 60MHz             |
|   | -10dB MIN AT 60MHz TO 80MHz             |

## NOTES

1.0 PINS WITHOUT ELECTRICAL CONNECTION ARE OMITTED



CONNECTOR SCHEMATIC

**RoHS Compliant**

TOLERANCES ARE

**MORETHANALL**  
PCB CONNECTORS  
Cable ASSEMBLIES

煜倫股份有限公司

www.morethanall.com

DRAWING BY CY

CHECKED BY GENIUS

UNIT / mm

SCALE 1 : 1

DATE

SIZE A4

X. ±  
.X ± 0.25  
.XX ± 0.13  
.XXX ± 0.05  
ANG ±

PJECTION

照片框

**ORDER INFORMATION**

**MJF13T25-KF06B3-0808-LF**

SERIES

LEADFREE

8P8C

REAR TAB 3.05mm

06u" GOLD

FULL SPRING

BLACK

DESCRIPTION: SINGLE PORT, RJ45, SHIELDED, FLAT PIN WITH TRANSFORMER, SIDE ENTRY PCB JACK