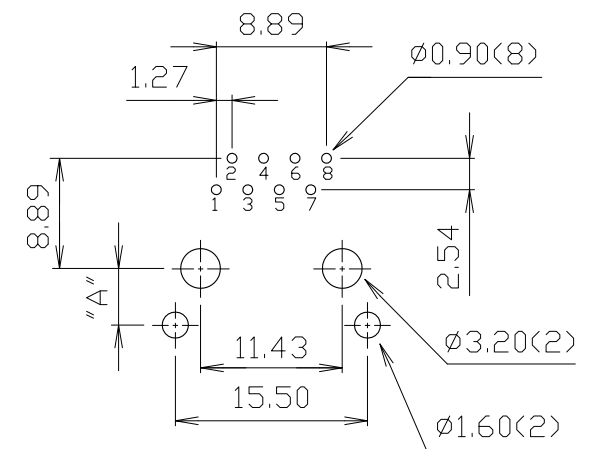


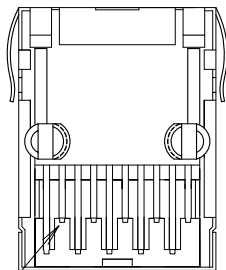
MATERIAL:

- HOUSING-PBT POLYESTER UL94V-0 MIXED GLASS FIBER. STANDARD COLOR-BLACK
- CONTACTS-0.35mm THICK PHOS-BRONZE WITH HARD GOLD AND TIN/LEAD PLATED IN SOLDER AREA.
- SHIELD-0.20mm THICK COPPER ALLOY, PLATED WITH NICKEL.

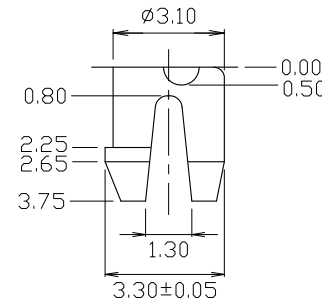
CAVITY CONFIRMS TO FCC RULES AND REGULATIONS PART 68,SUBPART F.



PC Board Layout Ref.



REVISIONS			
LTR	DESCRIPTION	DATE	APP
△	3.40±0.25	05/29/04	CHANG
△	CAR 0.25	MAY/20/11	CHANG



DETAIL Y

RoHS Compliant

TOLERANCES ARE

MORETHANALL
PCB CONNECTORS
Cable ASSEMBLIES
煜倫股份有限公司
www.morethanall.com

DRAWING BY CY		X. ± .X ± 0.25 .XX ± 0.13 .XXX ± 0.05 ANG ±
CHECKED BY GENIUS		
UNIT / mm	SCALE 1 : 1	
DATE		
SIZE A4	PJECTION	

照片框

ORDER INFORMATION

MJF13T25-KF06A3-0808-LF

SERIES
LEADFREE
8P8C
FRONT TAB 3.05mm
06u" GOLD
FULL SPRING
BLACK

DESCRIPTION: SINGLE PORT, RJ45, SHIELDED, FLAT PIN WITH TRANSFORMER, SIDE ENTRY PCB JACK

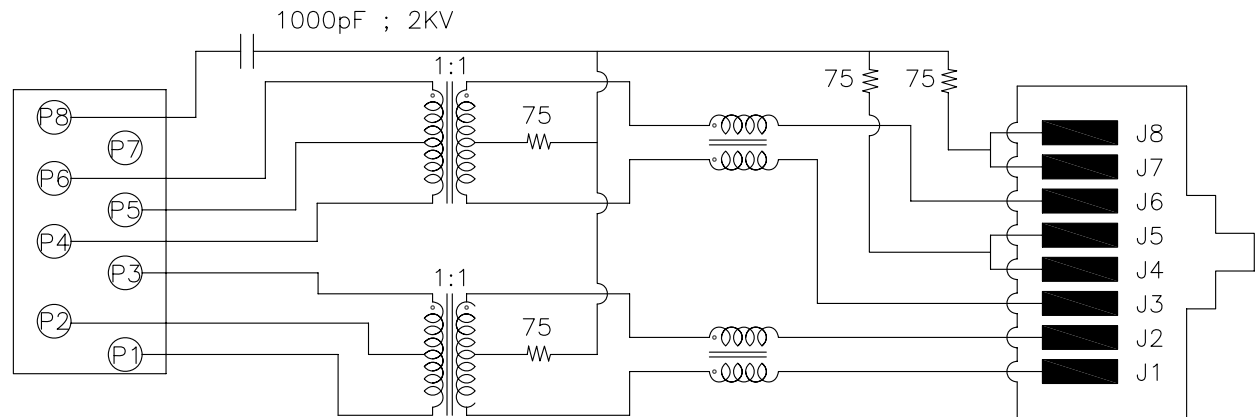
TRANSFORMER

ELECTRICAL CHARACTERISTICS:

- | | |
|---|---|
| 1. TURNS RATIO : | |
| (P6-P5-P4): (J6-J3) | :1CT:1CT ± 3% |
| (P3-P2-P1): (J2-J1) | :1CT:1CT ± 3% |
| 2. INDUCTANCE: (P6-P4) | : 350uH MIN. @ 0.1V, 100KHz,8mA DC Bias |
| (P3-P1) | : 350uH MIN. @ 0.1V, 100KHz,8mA DC Bias |
| 3. LEAKAGE INDUCTANCE: P6-P4 (WITH J6 AND J3 SHORT) | : 0.3 MAX. @ 1MHz |
| P3-P1 (WITH J2 AND J1 SHORT) | : 0.3 MAX. @ 1MHz |
| 4. INTERWINDING CAPACITANCE: (P6,P5,P4)TO(J6,J3) | : 30pf MAX. @1MHz |
| (P3,P2,P1)TO(J2,J1) | : 30pf MAX. @1MHz |
| 5. DC RESISTANCE: (J6-J3)=(J2-J1) | : 1.2 ohms Max. |
| 6. CROSSTALK | :-30dB MIN AT 1MHz TO 100MHz |
| 7. INSERTION LOSS | :-1.0dB MAX AT 1MHz TO 100MHz |
| 8. RETURN LOSS | :-20dB MIN AT 1MHz TO 30MHz |
| | -15dB MIN AT 30MHz TO 60MHz |
| | -10dB MIN AT 60MHz TO 80MHz |

NOTES

1.0 PINS WITHOUT ELECTRICAL CONNECTION ARE OMITTED



CONNECTOR SCHEMATIC

RoHS Compliant

TOLERANCES ARE

MORETHANALL

PCB CONNECTORS

Cable ASSEMBLIES

煜倫股份有限公司

www.morethanall.com

DRAWING BY CY

CHECKED BY GENIUS

UNIT / mm

SCALE 1 : 1

DATE

SIZE A4

X. ±
.X ± 0.25
.XX ± 0.13
.XXX ± 0.05
ANG ±

PJECTION

照片框

ORDER INFORMATION

MJF13T25-KF06A3-0808-LF

SERIES

LEADFREE

8P8C

FRONT TAB 3.05mm

06u" GOLD

FULL SPRING

BLACK

DESCRIPTION: SINGLE PORT, RJ45, SHIELDED, FLAT PIN WITH TRANSFORMER, SIDE ENTRY PCB JACK