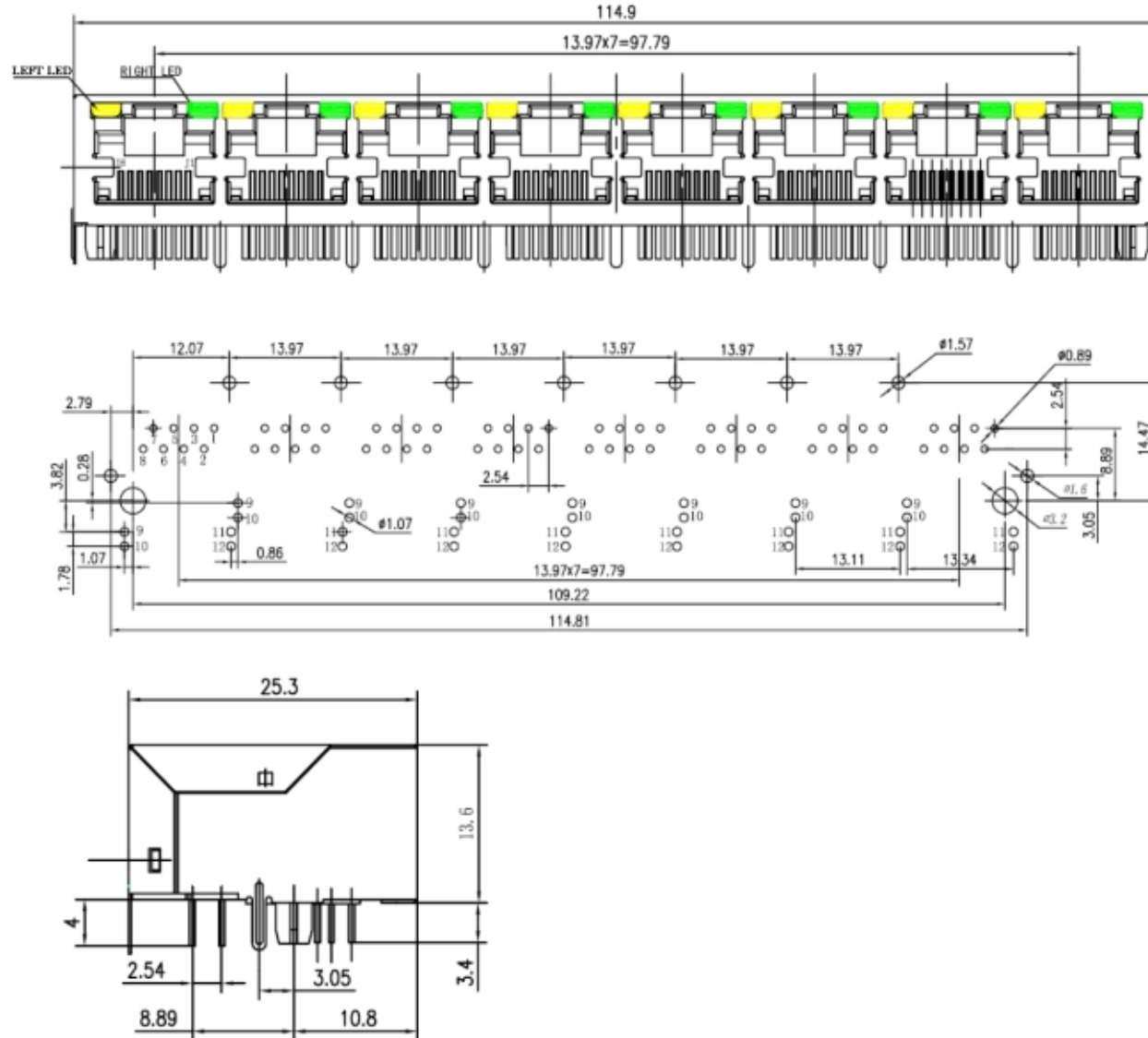


**EXTERNAL DIMENSIONS :**



**MORETHANALL**  
CONNECTORS  
ASSEMBLIES

PART NO. MJF13T16ULA8-KX06B3YG53-0808

RoHS Compliant

DWG NO. MJF13T16ULA8-KX06B3YG53-0808

CHECKED BY CY

TOLERANCES ARE

DESCRIP TION:

FILE NO.

DRAWING BY

.X ± 0.2  
.XX ±  
.XXX ±  
AWG

AREA	REVISIONS	HK	DATE
------	-----------	----	------

**焯倫股份有限公司**

UNIT / mm

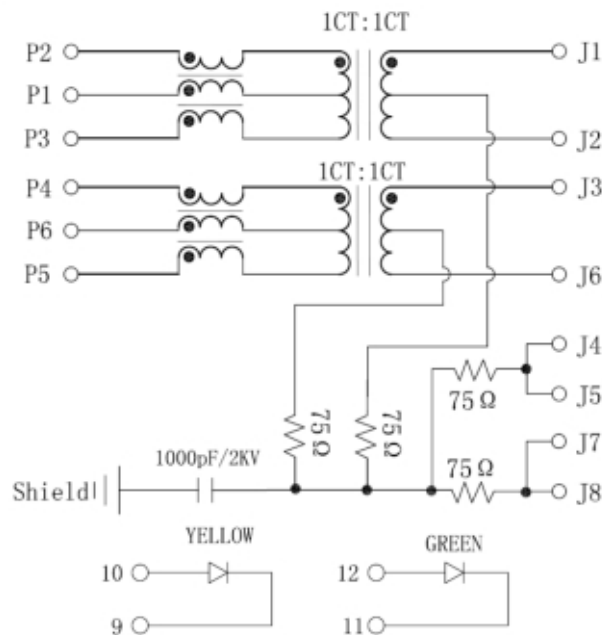
SCALE 1:1

PROJECTION

**ELECTRICAL CHARACTERISTIC :**

- 1 Turns Ration : (P2-P3) : (J1-J2) = 1CT : 1CT ±3%  
(P4-P5) : (J3-J6) = 1CT : 1CT ±3%
- 2 Inductance : (P2-P3) : 350uH Min. @ 0.1V, 100KHz, 8mA DC BIAS  
(P4-P5) : 350uH Min. @ 0.1V, 100KHz, 8mA DC BIAS
- 3 Leakage Inductance : P2-P3(with J1 and J2 short) : 0.25uH Max. @1MHz  
P4-P5(with J3 and J6 short) : 0.25uH Max. @1MHz
- 4 Interwinding Capacitance : (P2-P3) : (J1-J2) : 35pF Max. @ 1MHz  
(P4-P5) : (J3-J6) : 35pF Max. @ 1MHz
- 5 DC Resistance : (J1-J2) : (J3-J6) : 1.2Ω Max.
- 6 Insertion Loss : 100KHz - 80MHz : -1.1dB Max.
- 7 Return Loss : -18dB Min. @ 1MHz ~ 30MHz  
-12dB Min. @ 30MHz ~ 80MHz
- 8 Cross Talk : -40dB typ. @ 1MHz ~100MHz
- 9 Common To Common Mode Attenuatic -35dB typ. @30MHz ~ 100MHz
- 10 HiPot : (P2-P3) : (J1-J2) : 1500VAC (P4-P5) : (J3-J6) : 1500VAC
- 11 Operating Temperature : -40°C ~ +85°C
- 12 Wave solder tip temperature : 265°C Max.  
Wave solder tip temperature : 5 Sec. Max.

**SCHEMATIC :**



**SCHEMATIC :**



PART NO. MJF13T16ULA8-KX06B3YG53-0808		CHECKED BY CY	TOLERANCES ARE .X ± 0.2 .XX ± .XXX ± AWG	DESCRIP TION:			
DWG NO. MJF13T16ULA8-KX06B3YG53-0808							
FILE NO.		DRAWING BY	AREA REVISIONS HK DATE				
UNIT / mm	SCALE 1:1	PROJECTION					

煜倫股份有限公司