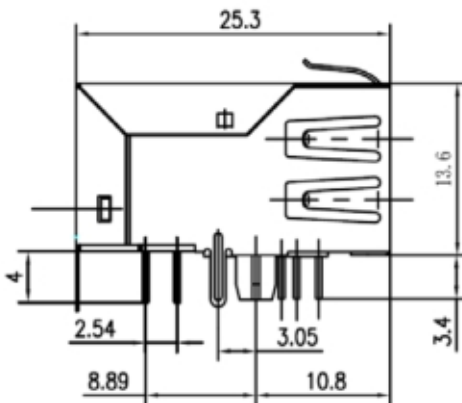
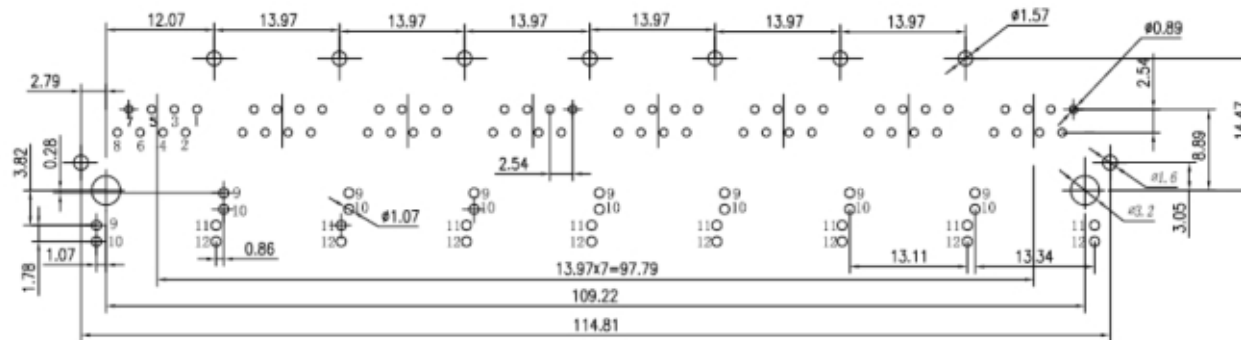
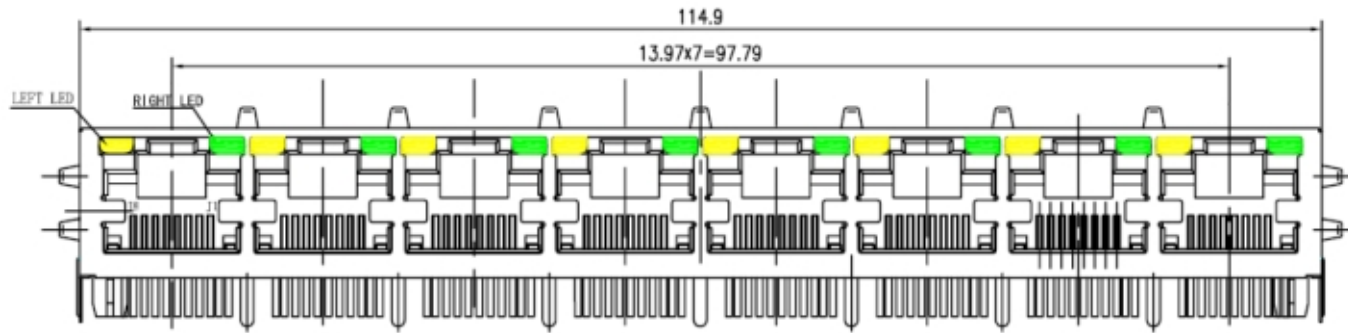


EXTERNAL DIMENSIONS :



RoHS Compliant

**MORETHANALL**  
CONNECTORS  
ASSEMBLIES

PART NO. MJF13T16ULA8-KF06B3YG53-0808

DWG NO. MJF13T16ULA8-KF06B3YG53-0808

FILE NO.

CHECKED BY CY

DRAWING BY

TOLERANCES ARE

.X ± 0.2  
.XX ±  
.XXX ±  
AWG

DESCRIPTION:

焯倫股份有限公司

UNIT / mm

SCALE 1:1

PROJECTION



AREA

REVISIONS

HK

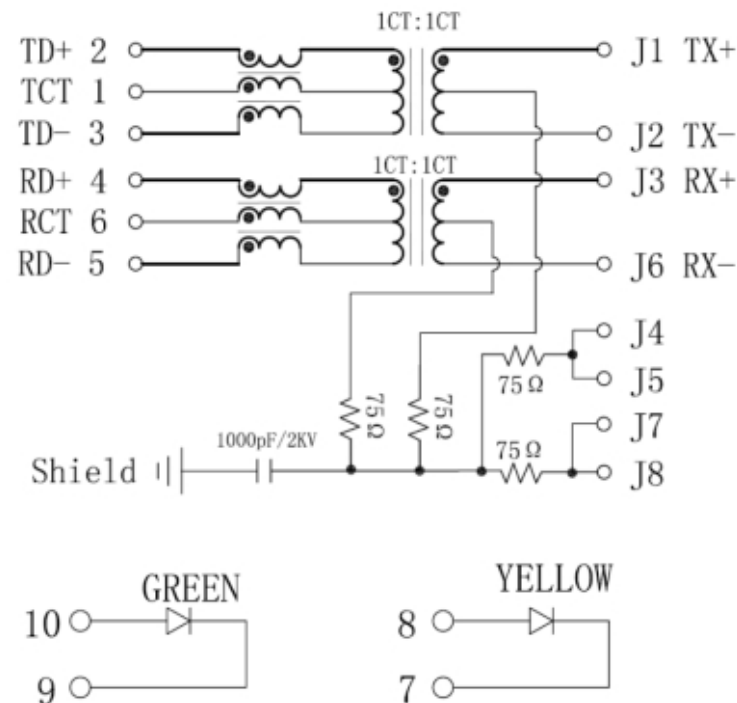
DATE

J  
I  
H  
G  
F  
E  
D  
C  
B  
A

**SCHEMATIC DRAWING :**

**ELECTRICAL CHARACTERISTIC :**

- 1 Turn Ratio(±2%) : TX=1CT:1CT RX=1CT:1CT
- 2 Inductance OLC : 350uH MIN @ 100KHz/0.1V, 8mA DC Bias
- 3 Insertion Loss : 1-100KHz: -1.0dB Max.
- 4 Return Loss (dB Min.) @100Ω±15% : 1-30MHz : -18  
 30-60MHz : -18+20LOG(F/30MHz)  
 60-80MHz : -12
- 5 Crosstalk (TX-RX) : 500KHz-100MHz : -35dB Min.
- 6 CM to CM REJ : 100KHz - 100MHz : -30dB Min.
- 7 CM to DM REJ : 100KHz - 100MHz : -35dB Min.
- 8 HIPOT(Isolation Voltage) : 1500Vrms
- 9 Operating Temperature Range : -40°C~85°C



	PART NO. MJF13T16ULA8-KF06B3YG53-0808		CHECKED BY CY	TOLERANCES ARE .X ± 0.2 .XX ± .XXX ± AWG	DESCRIP TION:			
	DWG NO. MJF13T16ULA8-KF06B3YG53-0808							
焜倫股份有限公司	FILE NO.		PROJECTION	AREA	REVISIONS	HK	DATE	
	UNIT / mm	SCALE 1:1						