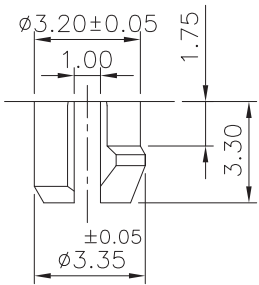
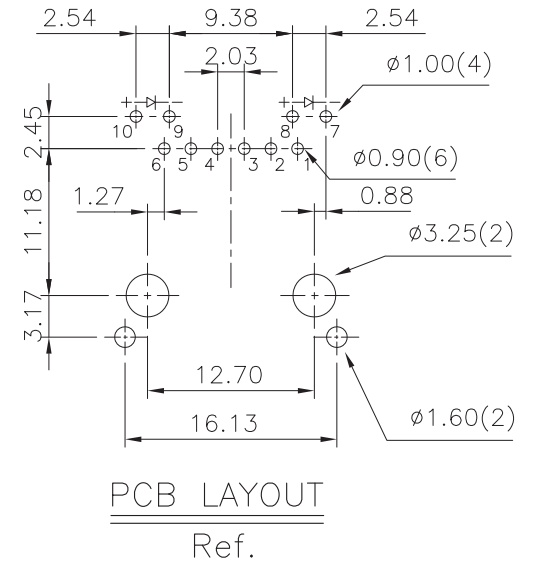
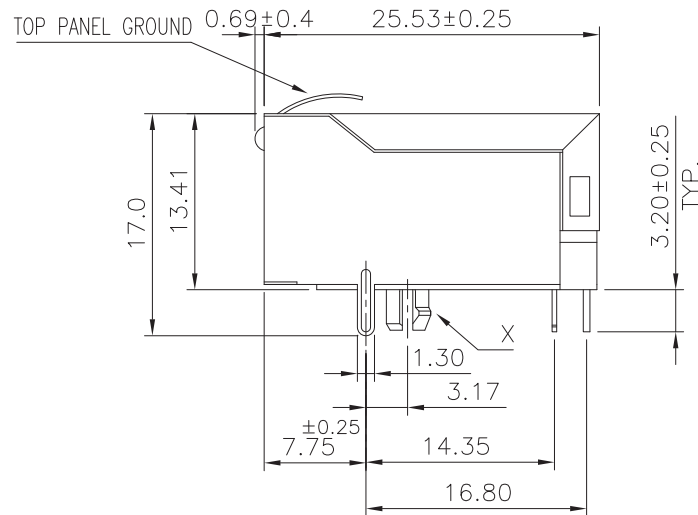
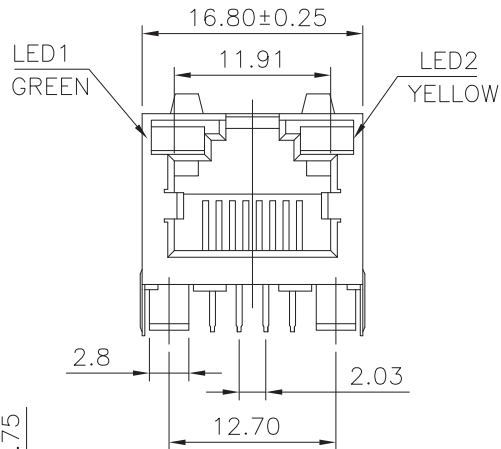


MATERIAL:

- HOUSING—PBT POLYESTER UL94V-0 MIXED GLASS FIBER. STANDARD COLOR—BLACK.
 - CONTACTS—0.35mm THICK PHOS-BRONZE PLATED WITH 6u" HARD GOLD AND GOLD FLASH IN SOLDER AREA.
 - SHIELD—0.20mm THICK COPPER ALLOY, PLATED WITH NICKEL.
- CAVITY CONFIRMS TO FCC RULES AND REGULATIONS PART 68,SUBPART F.



MJF13T16UL-KT06A31GY-0806

RoHS Compliant

MORETHANALL
CONNECTORS
ASSEMBLIES

| | | | | | |
|------------------------------------|-----------|---------------|--|---|---|
| PART NO. MJF13T16UL-KT06A31GY-0806 | | CHECKED BY CY | | TOLERANCES ARE X. ± .X ± 0.25 .XX ± 0.13 .XXX ± 0.05 ANG | DESCRIPTION: SINGLE PORT, RJ45, SHIELD WITH R & C TERMINATION |
| DWG NO. MJF13T16UL-KT06A31GY-0806 | | DRAWING BY | | | |
| FILE NO. | | PROJECTION | | AREA | REVISIONS |
| UNIT / mm | SCALE 1:1 | | | DATE | |

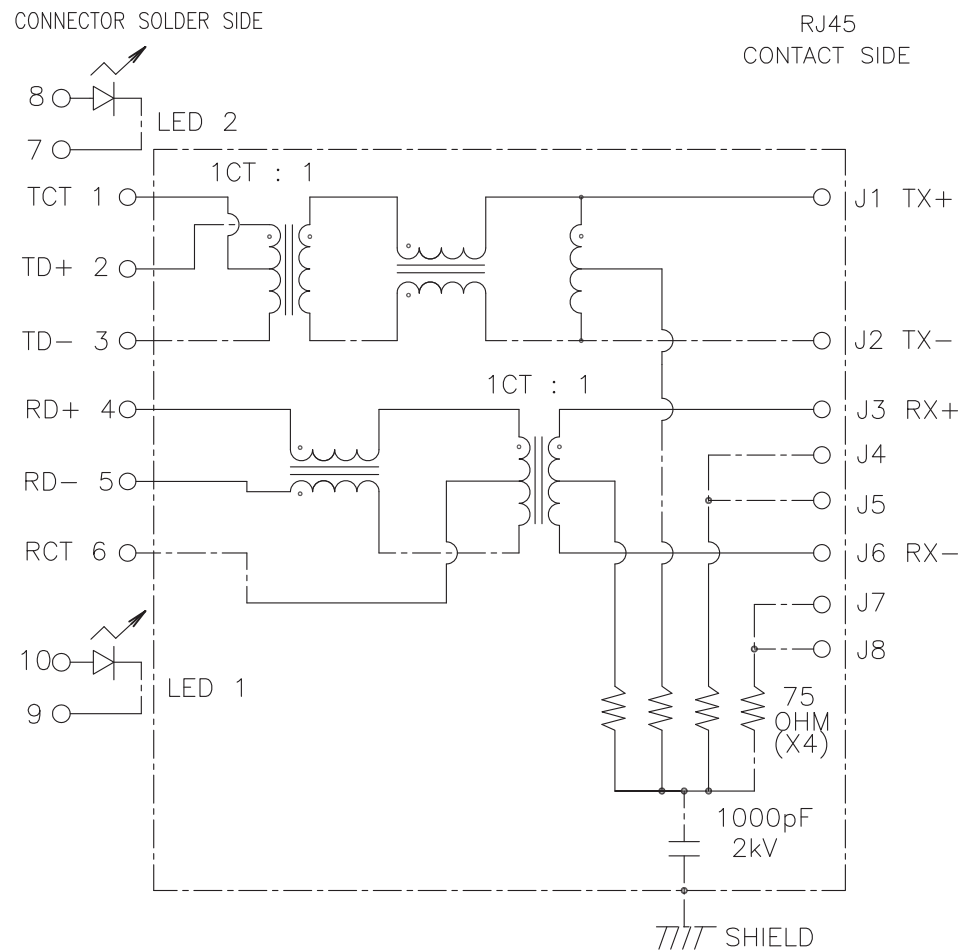
焯倫股份有限公司

TRANSFORMER

Specification :

| Item | Parameter | Condition | Min. | Typ. | Max. | Unit | REMARK |
|------|---------------------------------------|----------------|------|------|------|------|--------|
| 1 | Insertion loss | @1-100 MHz | | | -1.0 | dB | |
| 2 | Return loss | @1-30 MHz | -18 | | | dB | NOTE 1 |
| | | @30-60 MHz | | | | dB | |
| | | @60-80 MHz | -12 | | | dB | |
| 3 | Crosstalk | @1 MHz | -65 | | | dB | |
| | | @30 MHz | -45 | | | dB | |
| | | @60 MHz | -37 | | | dB | |
| | | @100 MHz | -35 | | | dB | |
| 5 | Hipot | Vrms | 1.5 | | | kV | |
| 6 | Common to Differential Mode Rejection | @100kHz-100MHz | -40 | | | dB | |
| 7 | Common to Common Mode Rejection | @100kHz-100MHz | -30 | | | dB | |

* NOTE 1: $18-20 \log (f/30\text{MHz})$.



CONNECTOR SCHEMATIC

MORETHANALL
CONNECTORS
ASSEMBLIES

PART NO. MJF13T16UL-KT06A31GY-0806

DWG NO. MJF13T16UL-KT06A31GY-0806

FILE NO.

CHECKED BY CY

DRAWING BY

TOLERANCES ARE

X. ±
.X ± 0.38
.XX ± 0.25
.XXX ±
ANG

DESCRIPTION:

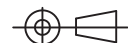
TRANSFORMER
SPECIFICATION

煜倫股份有限公司

UNIT / mm

SCALE 1:1

PROJECTION



AREA

REVISIONS

DATE