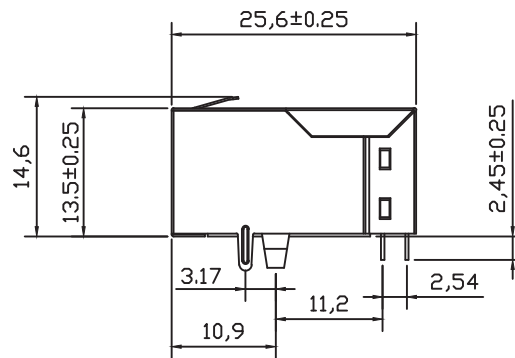
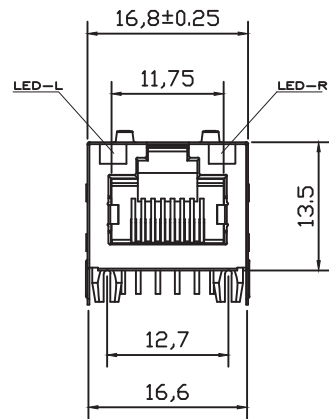


PCB Layout



NOTE:

1. Shielded - 0.20mm THICKNESS BRASS C2680 H. PLATING NICKEL 30u"-50u".
2. Housing- Standard Material FR52, Glass Filled Polyester UL94V-0 Standed Color Black.
3. RJ Terminal- Plastic: FR52, UL94V-0, Standard Color Black. Pin: 0.35mm Thickness Phos-Bronze C5210 EH. Plating: Nickel 40u"~60u" for all and Sn 100% ,and Gold Plating.
4. Input Terminal- FR52, Glass Filled, UL94V-0, Standard Color Black. Pin: 0.35mm Thickness Phos-Bronze C5191. Plating: Nickel 40u"~60u" for all and Sn 100%.

MJF13T16UL-KT06A31GOYX-0806

RoHS Compliant

MORETHANALL
CONNECTORS
ASSEMBLIES

PART NO. MJF13T16UL-KT06A31GOYX-0806

DWG NO. MJF13T16UL-KT06A31GOYX-0806

CHECKED BY CY

TOLERANCES ARE

X. ±
.X ± 0.38
.XX ± 0.20
.XXX ± 0.10
ANG

DESCRIPTION:			
AREA	REVISIONS	DATE	

FILE NO.

DRAWING BY

UNIT / mm

SCALE 1:1

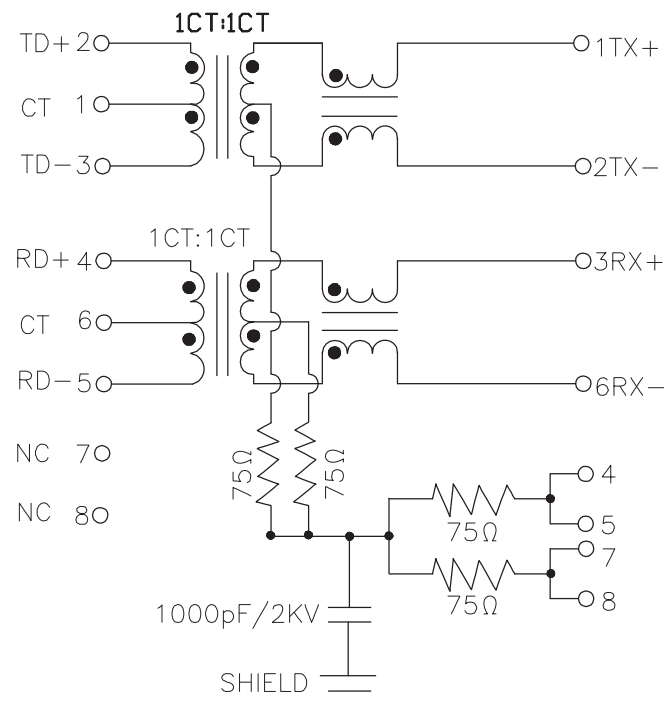
PROJECTION



焯倫股份有限公司

ELECTRICAL SPECIFICATIONS@25°C:

Turn Ratio($\sqrt{2}$): 1:1
 INSERTION LOSS (1-100MHz): -1.0dB MAX.
 Return Loss (dB MIN): -18dB(1-30MHz)
 -[18-20LOG(F/30MHz)dB (30-60MHz), -12dB(60-80MHz)
 Cross talk (dB MIN): -50dB(0.5-1MHz),-50dB(10MHz)
 -40dB (30MHz), -35dB (50MHz), -30dB (100MHz)
 CMR(dB MIN): -50dB(0.3-1MHz),-47dB(10MHz)
 -42dB (30MHz), -37dB (60MHz), -30dB (100MHz)
 CDMR(dB MIN): -50dB(0.3-1MHz),-50dB(10MHz)
 -50dB (30MHz), -45dB (60MHz), -40dB (100MHz)
 HI-POT TEST:1500Vrms/1.0mA/3Sec.
 PRIMARY INDUCTANCE: 350uH MIN @100KHz/0.1V, 8mA
 D.C.BIAS
 RoHS compliance: YES



Code	RJ45 Plating		
	Contact Area	Solder tail	Under plating
06	6μ" gold	150μ" Tin Min.	50μ" Nickel

LED Code			
Left LED		Right LED	
+9,-10	-9,+10	+7,-8	-7,+8
Orange	Green	-	Yellow



PART NO. MJF13T16UL-KT06A31GOYX-0806

DWG NO. MJF13T16UL-KT06A31GOYX-0806

FILE NO.

CHECKED BY CY

DRAWING BY

TOLERANCES ARE

X. ±
 .X ± 0.38
 .XX ± 0.20
 .XXX ± 0.10
 ANG

DESCRIPTION:	AREA	REVISIONS	DATE

煜倫股份有限公司

UNIT / mm

SCALE 1:1

PROJECTION