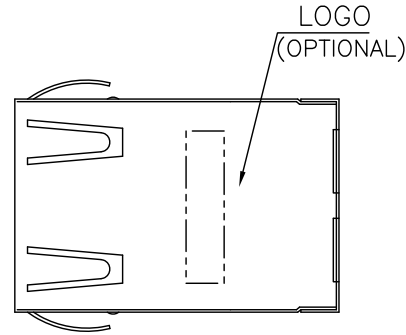


RECOMMENDED PANEL CUTOUT
Ref.

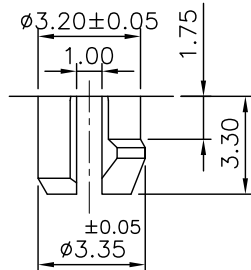
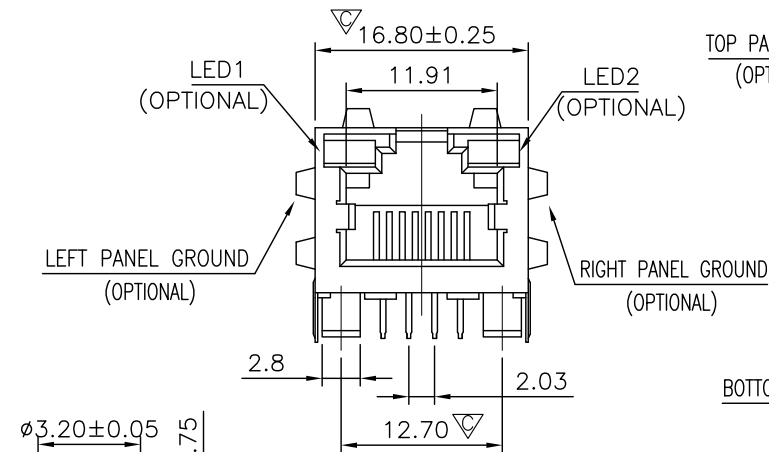


MATERIAL:

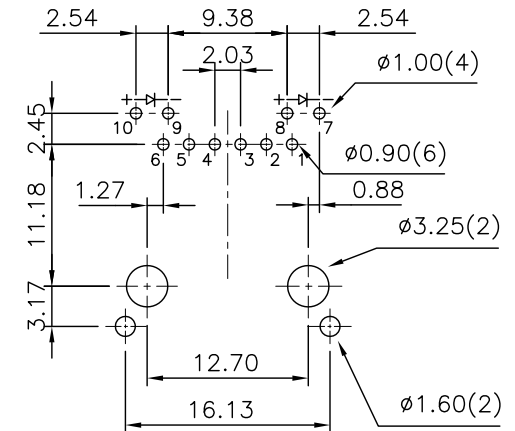
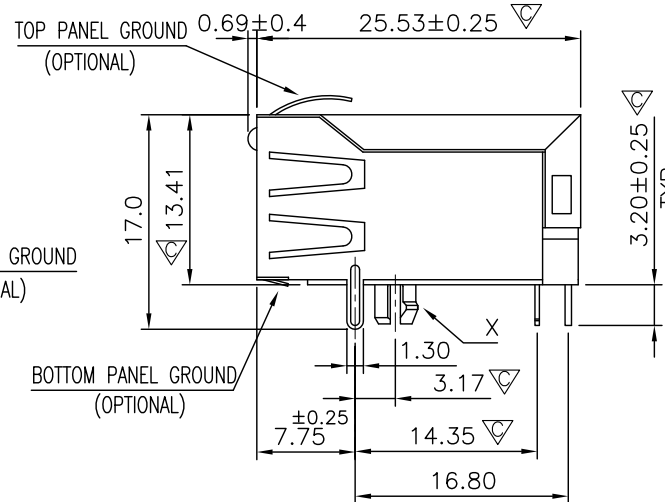
- HOUSING—PBT POLYESTER UL94V-0
MIXED GLASS FIBER.
STANDARD COLOR—BLACK.
- CONTACTS—0.35mm THICK PHOS-BRONZE PLATED
WITH HARD GOLD AND GOLD FLASH IN
SOLDER AREA.
- SHIELD—0.20mm THICK COPPER ALLOY,
PLATED WITH NICKEL.

CAVITY CONFIRMS TO FCC RULES AND REGULATIONS
PART 68, SUBPART F.

"▽" SHOWS QIP INSPECTION POINT.



DETAIL X



PCB LAYOUT
Ref.

RoHS Compliant

TOLERANCES ARE

MORETHANALL
PCB CONNECTORS
Cable ASSEMBLIES

DRAWING BY CY

X, ±
.X ± 0.25
.XX ± 0.13
.XXX ± 0.05
ANG ±

CHECKED BY GENIUS

UNIT / mm SCALE 1 : 1

DATE

SIZE A4

P PROJECTION

照片框

ORDER INFORMATION

MJF13T16UL-KF06A31xx-0808

SERIES

BLACK

FULL SPRING

06u" GOLD

8P8C

LED1 / LED2

GY: GREEN / YELLOW

YG: YELLOW / GREEN

FRONT TAB 3.17mm

DESCRIPTION: SINGLE PORT, RJ45, SHIELD WITH R & C TERMINATION

焯倫股份有限公司

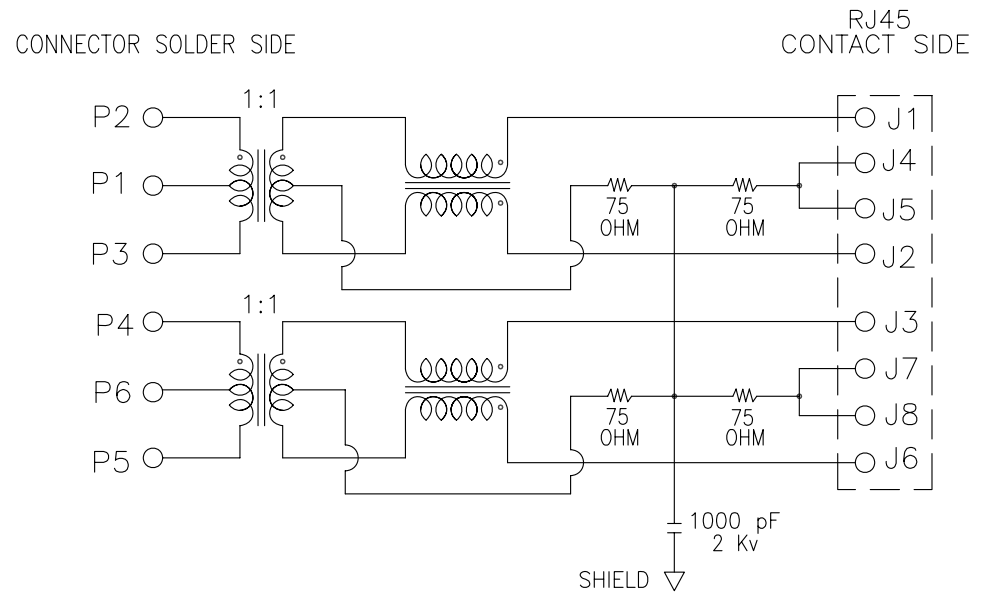
www.morethanall.com

TRANSFORMER TYPE 9

ELECTRICAL CHARACTERISTICS

TEST NOTES: (25°±5°C)

1. TR: (100KHz, 0.1V);
 PINS:(2-3):(J1-J2)=1CT:1CT
 PINS:(4-5):(J3-J6)=1CT:1CT
2. LX: (100KHz, 100mV, 8mA, DC Bias)
 PINS: (2,3),(4,5)=400uH MINIMUM
3. DCR:
 PINS: (2-3),(J3-J6),(J1-J2)=1.0 OHMS MAXIMUM.
 PINS: (4-5)=1.2 OHMS MAXIMUM.
4. HIPOT:
 PINS(2,1,3)TO(J1,J2)=1500VAC FOR 60 SECONDS
 PINS(4,5,6)TO(J3,J6)=1500VAC FOR 60 SECONDS
6. INSERTION LOSS:
 -1.0dB MAXIMUM AT 1MHz TO 100MHz
7. RETURN LOSS:
 -20dB MINIMUM AT 1MHz TO 30MHz
 -12dB MINIMUM AT 30MHz TO 60MHz
 -12dB MINIMUM AT 60MHz TO 80MHz
8. CROSS TALK:
 -30dB MINIMUM AT 1MHz TO 100MHz
9. COMMON TO COMMON MODE REJECTION:
 -30dB MINIMUM AT 1MHz TO 100MHz



CONNECTOR SCHEMATIC

RoHS Compliant

TOLERANCES ARE

MORETHANALL
 PCB CONNECTORS
 Cable ASSEMBLIES

煜倫股份有限公司

www.morethanall.com

DRAWING BY CY

CHECKED BY GENIUS

UNIT / mm SCALE 1:1

DATE

SIZE A4

X, ±
 .X ± 0.25
 .XX ± 0.13
 .XXX ± 0.05
 ANG ±

PJECTION

照片框

ORDER INFORMATION

MJF13T16UL-KF06A31xx-0808

SERIES

BLACK
 FULL SPRING

8P8C
 LED1 / LED2
 GY: GREEN / YELLOW
 YG: YELLOW / GREEN
 FRONT TAB 3.17mm
 06u" GOLD

DESCRIPTION: TRANSFORMER SPECIFICATION