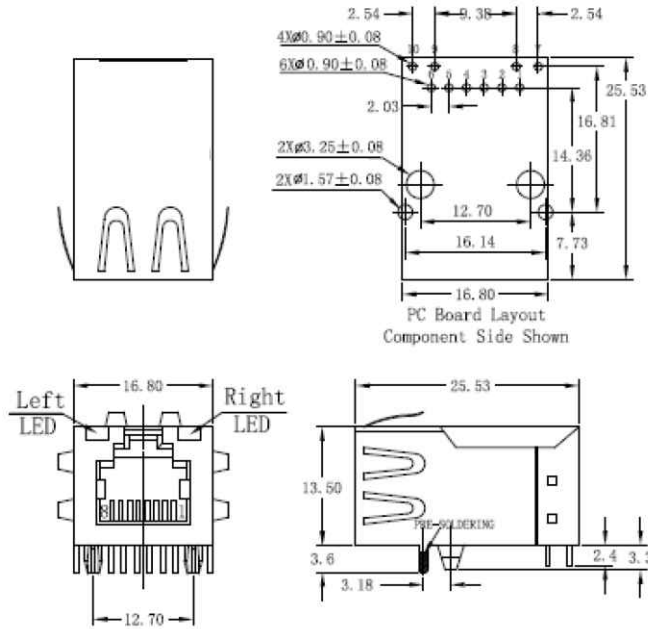
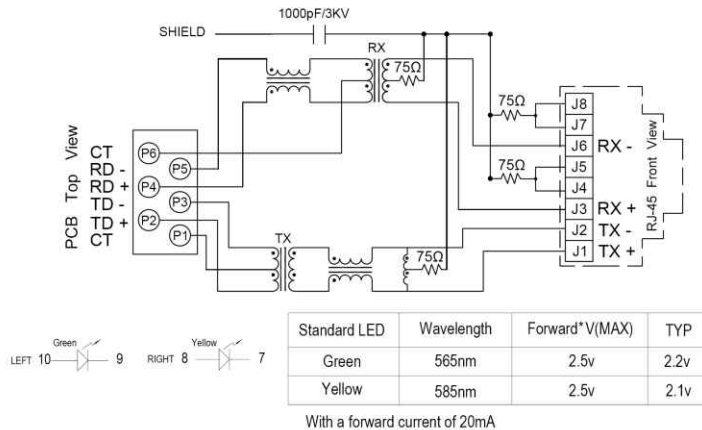


一、Mechanicals Dimensions



UNIT:mm Unless otherwise specified, all tolerances are ±0.25

二、Schematics



三、ELECTRICAL SPECIFICATIONS@25°C:

1. Turn Ratio(±5%): 1CT:1CT
2. OCL(100KHz/0.1V@8mA):350uH MIN.
3. Insertion Loss(dB MAX):-1.0dB(1-100MHz)
4. Return Loss(dB MIN):-18dB(1-30MHz),- 18+20log₁₀(f/30MHz)dB(30-60MHz) ,
-12dB(60-80MHz)
5. Cross talk(dB TYP):-65dB(1MHz),-45dB(30MHz), -37dB(60MHz),
-35dB(100MHz)
6. CMR(dB MIN):-30dB(0.1-100MHz)
- 7.CDMR(dB TYP):-40dB(0.1-100MHz)
8. HI-POT(Pri to Sec) : 1500Vrms
9. Operating Temperature:0°C TO +70°C
10. RoHS compliance:YES

MJF13T16UL-KF06A31GY-0806

RoHS Compliant



PART NO. MJF13T16UL-KF06A31GY-0806		CHECKED BY CY		TOLERANCES ARE		DESCRIP TION:	
DWG NO. MJF13T16UL-KF06A31GY-0806		DRAWING BY		.X ± .XX ± .XXX ± AWG		AREA	
FILE NO.		PROJECTION		REVISIONS		HK	
UNIT / mm	SCALE 1:1	DATE		DATE			

煜倫股份有限公司

四、Mechanicals

Housing Material:

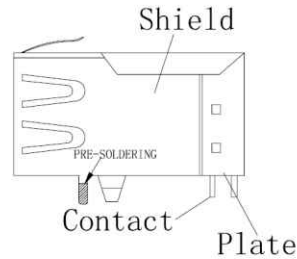
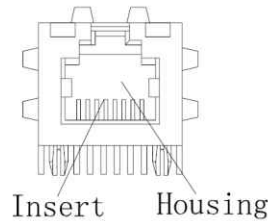
MATERIAL:NYLON GF (Fr50) UL94V-0 STANDARD COLOR:BLACK

Insert Material:

MATERIAL:Phos-Bronze C5210 EH---0.35mm Thickness

Insert -PBT GF UL94V-0

- 1.PLATING(1) NICKEL
- 2.PLATING(2) 100%Sn
- 3.PLATING(3) GOLD (3u " ~ 50u ")



Contact pin Material:

MATERIAL: Phos-Bronze C5191---0.35mm Thickness

- 1.PLATING(1) NICKEL
- 2.PLATING(2) 100%Sn

Shielding Material:

BRASS C2680 PLATING NICKEL

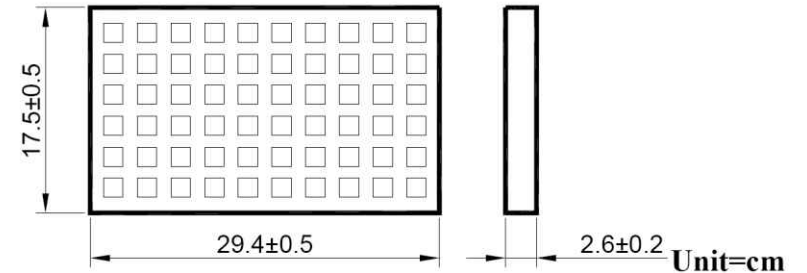
Operating Life:750 Cycles MIN.

五、Environmental

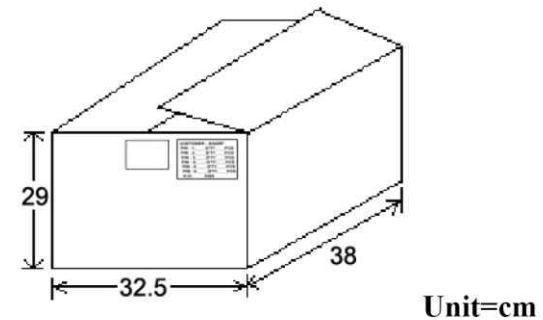
- 1.Storage Temp:-40°C TO +85°C.
- 2.Operating Temp: 0°C TO +70°C.
- 3.MATES WITH MODULAR PLUG CONFORMING TO FCC PART 68,SUBPART F.

六、Packaging

1. packaging unit : 60 PCS/tray
2. packaging material : PET



3. outer carton unit: 1080 pcs/ 18 Trays/box



MORETHANALL
CONNECTORS
ASSEMBLIES

PART NO. MJF13T16UL-KF06A31GY-0806

DWG NO. MJF13T16UL-KF06A31GY-0806

CHECKED BY CY

TOLERANCES ARE

DESCRIP TION:

FILE NO.

DRAWING BY

.X ±
.XX ±
.XXX ±
AWG

AREA

REVISIONS

HK

DATE

煜倫股份有限公司

UNIT / mm

SCALE 1:1

PROJECTION

