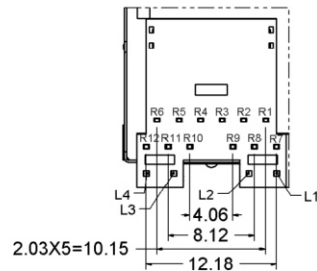
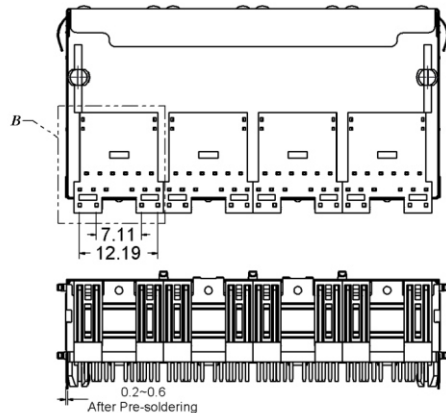
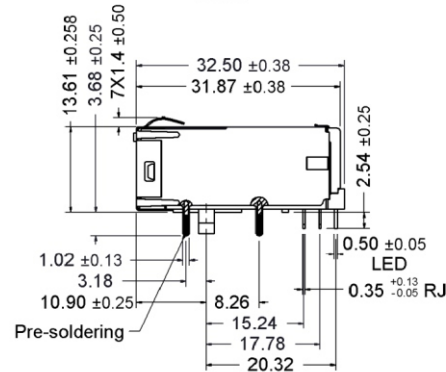
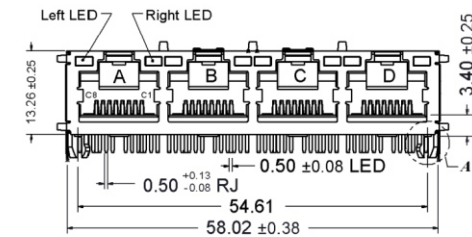
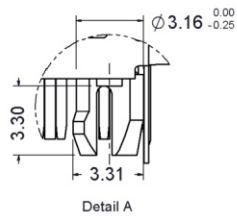
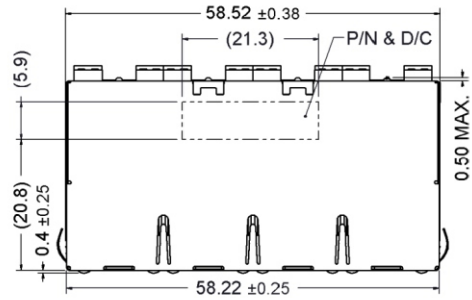


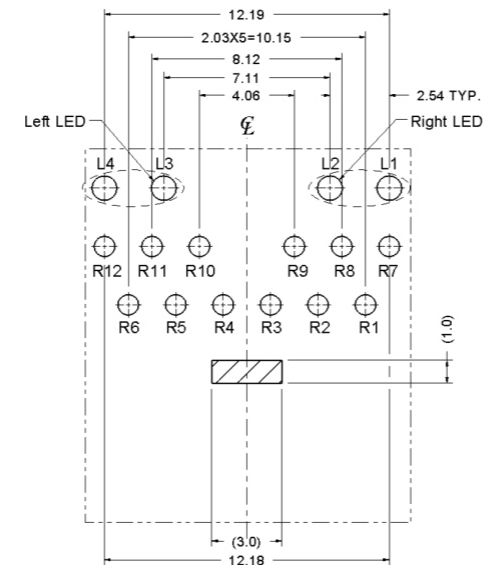
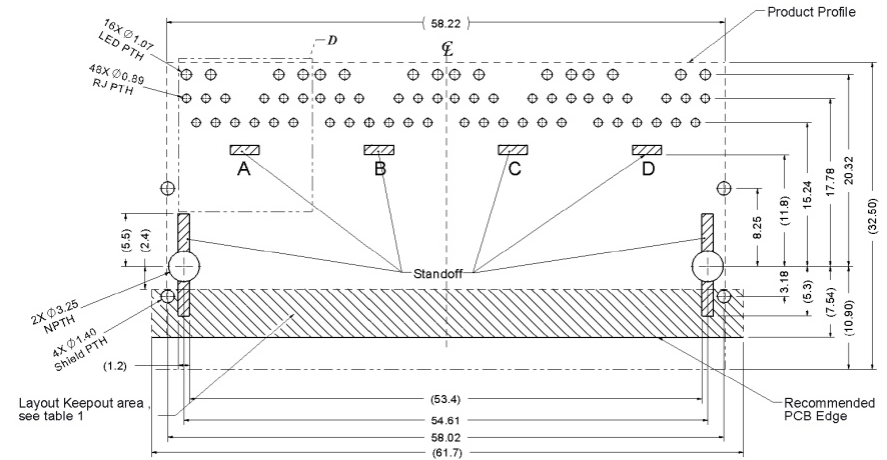
Product Dimension



Recommended PCB Layout

Component Side of Board

All dimension tolerances are ±0.05mm unless otherwise specified



RoHS Compliant

TOLERANCES ARE

MORETHANALL
PCB CONNECTORS
Cable ASSEMBLIES

DRAWING BY CY

X, ±

CHECKED BY GENIUS

.X ±

UNIT / mm

SCALE 1 : 1

.XXX ±

DATE

ANG ±

SIZE A4

PJECTION

照片框

ORDER INFORMATION

MJF13T112ULA4-KF06A31YG-0808

SERIES

LEFT / RIGHT 8P8C

YELLOW / GREEN

FRONT TAB 3.18mm

BLACK

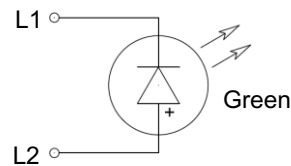
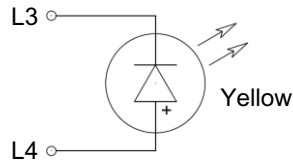
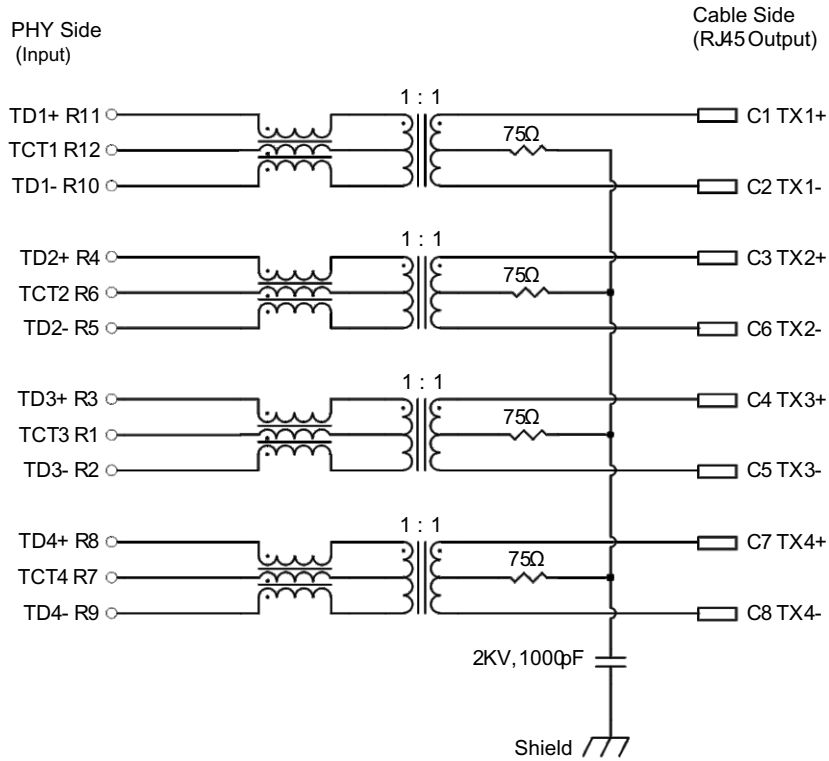
06u" GOLD
FULL SPRING

煜倫股份有限公司

www.morethanall.com

DESCRIPTION:

Schematic



Emitting Color	λ_p (nm)	$V_f @ I_f=20mA$	$I_r @ V_r=5V$
Green	565	1.7 ~2.6 V	10 μ A max.
Yellow	585	1.7 ~2.6 V	10 μ A max.

Transmitter filter & Receiver filter

Type : Balance low pass 100 Ω impedance

Insertion loss : 1~100 MHz -1.0dB max.

Return loss : 1~30 MHz -18dB min. load 100 Ω

30~60MHz -16dB min. load 100 Ω

60~80MHz -12dB min. load 100 Ω

80~100MHz -10dB min. load 100 Ω

3.3 Common Mode Rejection

@ 1~100 MHz -30dB min.

3.4 Cross Talk

@ 1~100 MHz -30dB min.

3.5 Inductance @ 100KHz, 0.1V, 8mA DC BIAS

Input (R11-R10), Input(R4-R5), Input (R3-R2), Input(R8-R7) 350 μ H min.

3.6 HiPot Test

Input(R11-R10) To Output(C1-C2) :1500Vac 60s or 2250Vdc 60s

Input(R4-R5) To Output(C3-C6) :1500Vac 60s or 2250Vdc 60s

Input(R3-R2) To Output(C4-C5) :1500Vac 60s or 2250Vdc 60s

Input(R8-R9) To Output(C7-C8) :1500Vac 60s or 2250Vdc 60s

RoHS Compliant

TOLERANCES ARE

MORETHANALL
PCB CONNECTORS
Cable ASSEMBLIES

DRAWING BY CY

CHECKED BY GENIUS

UNIT / mm SCALE 1 : 1

DATE

SIZE A4

X, \pm

.X \pm

.XX \pm

.XXX \pm

ANG \pm

P PROJECTION

照片框

ORDER INFORMATION

MJF13T112ULA4-KF06A31YG-0808

SERIES

BLACK

06u" GOLD

FULL SPRING

LEFT / RIGHT 8P8C

YELLOW / GREEN

FRONT TAB 3.18mm

煜倫股份有限公司

www.morethanall.com

DESCRIPTION: