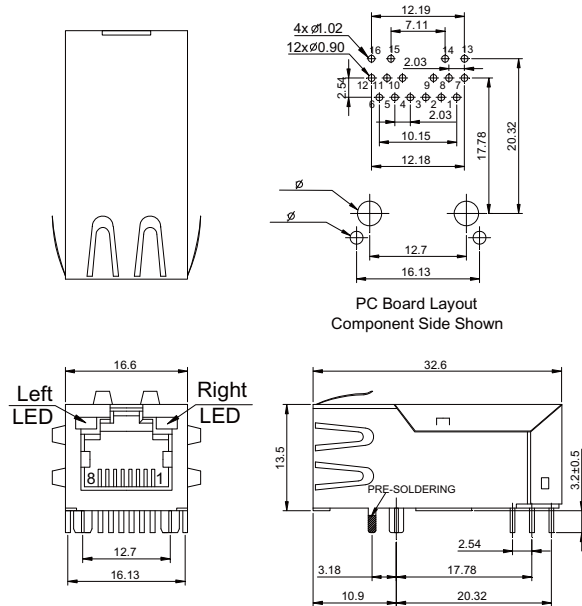
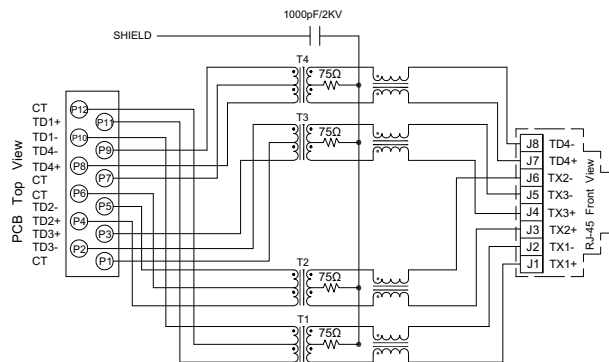


一、Mechanical Dimensions



UNIT:mm Unless otherwise specified, all tolerances are ± 0.25

二、Schematics



Standard LED	Wavelength	Forward* V(MAX)	TYP
Green	565nm	2.5v	2.2v
Yellow	585nm	2.5v	2.1v

三、ELECTRICAL SPECIFICATIONS@25 °C:

1. Turn Ratio($\pm 3\%$): 1CT:1CT
2. OCL(100KHz/0.1V@8mA):350uH MIN@0 °C TO +70°C
3. Insertion Loss(dB MAX):-0.8dB(0.3-100MHz),1.2dB(100-120MHz)
4. Return Loss(dB MIN): -18dB(0.5-40MHz),-12+20log(f/80MHz)dB(40-100MHz)
5. Cross talk(dB TYP): -33+20log(f/100MHz)dB(0.1-100MHz)
6. CMR(dB MIN):-30dB(0.3-100MHz)
7. CDMR(dB TYP):-35dB(0.3-100MHz)
8. DCR(J1-J2,J3-J6,J4-J5,J7-J8):1.2Ω MAX
9. HI-POT(Pri to Sec) : 1500Vrms/0.5mA/60Sec or 1650Vrms/0.5mA/2Sec
10. Operating Temperature: -40 °C TO +85°C
11. RoHS compliance: YES

RoHS Compliant

TOLERANCES ARE

MORETHANALL
PCB CONNECTORS
Cable ASSEMBLIES

煜倫股份有限公司

www.morethanall.com

DRAWING BY CY

CHECKED BY GENIUS

UNIT / mm SCALE 1 : 1

DATE

SIZE A4

X, \pm

.X \pm

.XX \pm

.XXX \pm

ANG \pm

P PROJECTION

照片框

ORDER INFORMATION

MJF13T112UL-KF06A31YGGX-0808

SERIES

BLACK

06u" GOLD

FRONT TAB 3.18mm

FULL SPRING

LED LEFT / LED RIGHT

YELLOW / GREEN / GREEN

8P8C

DESCRIPTION: 1000 Base-T Single Port Rj45 Integrated Connector Modul

四、Mechanicals

Housing Material:

MATERIAL: NYLON 66 UL94V-0 STANDARD COLOR:BLACK

Insert Material:

MATERIAL: QSn6.5-0.1---0.35mm Thickness

Insert -PBT GF UL94V-0

- 1.PLATING(1) NICKEL
- 2.PLATING(2) 100%Sn
- 3.PLATING(3) GOLD (6u)

plug into Housing Material:

PBT+30%GF UL 94V-0

Contact pin Material:

MATERIAL: QSn6.5-0.1---0.35mm Thickness

- 1.PLATING(1) NICKEL
- 2.PLATING(2) 100%Sn

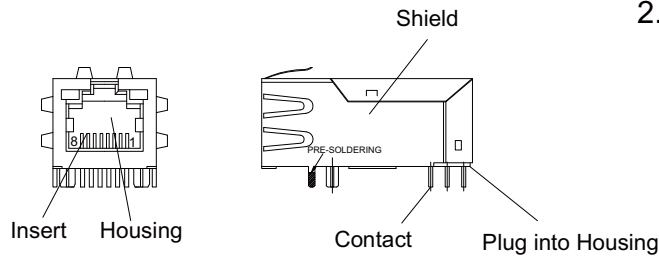
Shielding Material:

BRASS H65Y PLATING NICKEL

Operating Life:750 Cycles MIN.

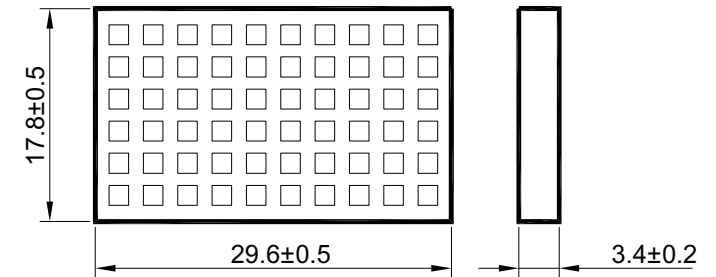
五、Environmental

- 1.Storage Temp:-40 TO +85℃.
- 2.Operating Temp:-40 TO +85℃
3. MATES WITH MODULAR PLUG CONFORMING TO FCC PART 68,SUBPART F.

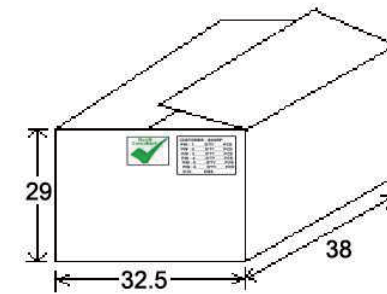


六、Packaging

1. packaging unit : 60 PCS/tray
2. packaging material : PET



outer carton unit 840 pcs/ 14 Trays/box



RoHS Compliant

TOLERANCES ARE

MORETHANALL
PCB CONNECTORS
Cable ASSEMBLIES

煜倫股份有限公司

www.morethanall.com

DRAWING BY CY

CHECKED BY GENIUS

UNIT / mm SCALE 1 : 1

DATE

SIZE A4

X, ±
.X ±
.XX ±
.XXX ±
ANG ±

PPOJECTION

照片框

ORDER INFORMATION

MJF13T112UL-KF06A31YGGX-0808

SERIES

BLACK

8P8C
LED LEFT / LED RIGHT
YELLOW / GREEN GREEN
FRONT TAB 3.18mm
06u" GOLD
FULL SPRING

DESCRIPTION: 1000 Base-T Single Port Rj45 Integrated Connector Modul