

Suggested PCB Layout
All dim. tolerance are $\pm 0.05\text{mm}$.

NOTE:

1. Shielded - 0.20mm THICKNESS BRASS C2680 H.
PLATING NICKEL 20u" Min.
2. Housing - Standard Material Nylon PA66, Glass Filled
Polyester UL94V-0 Standed Color Black.
3. RJ Terminal - Plastic: LCP UL94V-0, Standard Color Black.
Pin: 0.35mm Thickness Phos-Bronze C5210 EH.
Plating: Nickel 40u"~60u" for all and Sn 100%
, and Gold Plating.
4. Input Terminal - Plastic: Nylon PA66, Glass Filled, UL94V-0,
Standard Color Black.
Pin: 0.35mm Thickness SUS430.
Plating: Nickel 40u"~60u" for all and Sn 100%.

RoHS Compliant

TOLERANCES ARE

MORETHANALL
PCB CONNECTORS
Cable ASSEMBLIES

DRAWING BY CY

CHECKED BY GENIUS

UNIT / mm

SCALE 1 : 1

DATE

SIZE A4

X, \pm
.X \pm 0.38
.XX \pm 0.20
.XXX \pm 0.10
ANG \pm

P PROJECTION

照片框

ORDER INFORMATION

MJF13T112UL-KF06A31GG-0808

SERIES

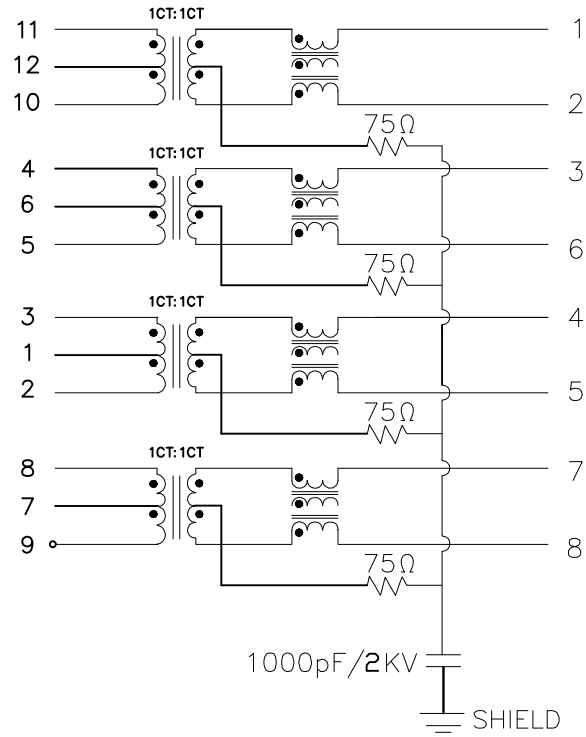
BLACK
FULL SPRING

8P8C
LED LEFT / LED RIGHT
GREEN / GREEN
FRONT TAB 3.18mm
06u" GOLD

煜倫股份有限公司

www.morethanall.com

DESCRIPTION:



| PART NO. | Electrical Specifications @25°C | | | | | | | | |
|-------------|---------------------------------|---------|--|----------------------|--------|--------|---------|----------------------|------------------|
| Part Number | Turns Ratio (±2%) | | DCL (uH Min.) @100 KHz/0.1V with 8mA DC Bias | Cross talk (dB Min.) | | | | HI-PDT 1.0 mA (V) | |
| | TX | RX | | 0.5-10 MHz | 30 MHz | 50 MHz | 100 MHz | WITHOUT CAPACITANCE | WITH CAPACITANCE |
| | 1CT:1CT | 1CT:1CT | 350 | -50 | -40 | -35 | -30 | 1500 AC | 2250 DC |

| PART NO. | Continue | | | | | | | |
|-------------|--------------------------|---------------------------|--------------------------------------|-----------|--------|-----------|--------------------------|---------------|
| Part Number | Insertion Loss (dB Max.) | | Return Loss (dB Min.) @ Load 100 OHM | | | | | CMR (dB Min.) |
| | 1-100 MHz | 100-125 MHz (10/100/1000) | 1-30 MHz | 30-50 MHz | 60 MHz | 60-80 MHz | 80-100 MHz (10/100/1000) | 1-100 MHz |
| | -1.0 | -1.2 | -18 | -16 | -14 | -12 | -10 | -30 |

Environmental

- 1.Storage Temp: -40°C to +85°C.
- 2.Operating Temp: -40°C to +85°C.
- 3.MATES WITH MODULAR PLUG CONFORMING TO FCC PART 68, SUBPART F.

| Code | RJ45 Plating | | | LED Code | | | |
|------|--------------|----------------|---------------|----------|---------|-----------|---------|
| | Contact Area | Solder tail | Under plating | Left LED | | Right LED | |
| | 6μ" gold | 150μ" Tin Min. | 50μ" Nickel | +13,-14 | -13,+14 | +15,-16 | -15,+16 |
| | | | | Green | - | Green | - |

RoHS Compliant

TOLERANCES ARE

MORETHANALL
PCB CONNECTORS
Cable ASSEMBLIES

煜倫股份有限公司

www.morethanall.com

DRAWING BY CY

CHECKED BY GENIUS

UNIT / mm SCALE 1 : 1

DATE

SIZE A4 PPROJECTION

X, ±
.X ± 0.38
.XX ± 0.20
.XXX ± 0.10
ANG ± 1°

照片框

ORDER INFORMATION

MJF13T112UL-KF06A31GG-0808

SERIES
BLACK
FULL SPRING
8P8C
LED LEFT / LED RIGHT
GREEN / GREEN
FRONT TAB 3.18mm
06u" GOLD

DESCRIPTION: