

P.C.B RECOMMENDED HOLE LAYOUT SEEN FROM COMPONENT SIDE.  
ALL CENTERLINE DIMENSIONS ARE BASIC

**Connect Material:**

Housing:Thermoplastic,PBT,UL 94V-0,Black  
Contact/Shield:Copper alloy  
Shield Plating:Nickel  
Contact Plating:Selective gold 30u" Min

**RoHS Compliant**

TOLERANCES ARE

**MORETHANALL**  
PCB CONNECTORS  
Cable ASSEMBLIES

DRAWING BY CY

X. ±  
.X ± 0.25  
.XX ± 0.15  
.XXX ± 0.05  
ANG ±

CHECKED BY GENIUS

UNIT / mm SCALE 1 : 1

DATE

SIZE A4

P PROJECTION

照片框

**ORDER INFORMATION**

**MJF13T110UL-KX06B3GOYX-0808-LF**

SERIES

LEADFREE  
8P8C  
LEFT LED / RIGHT LED  
REEN ORANGE / YELLOW  
REAR TAB 3.05mm  
06U" GOLD

BLACK  
NON EAR

DESCRIPTION:

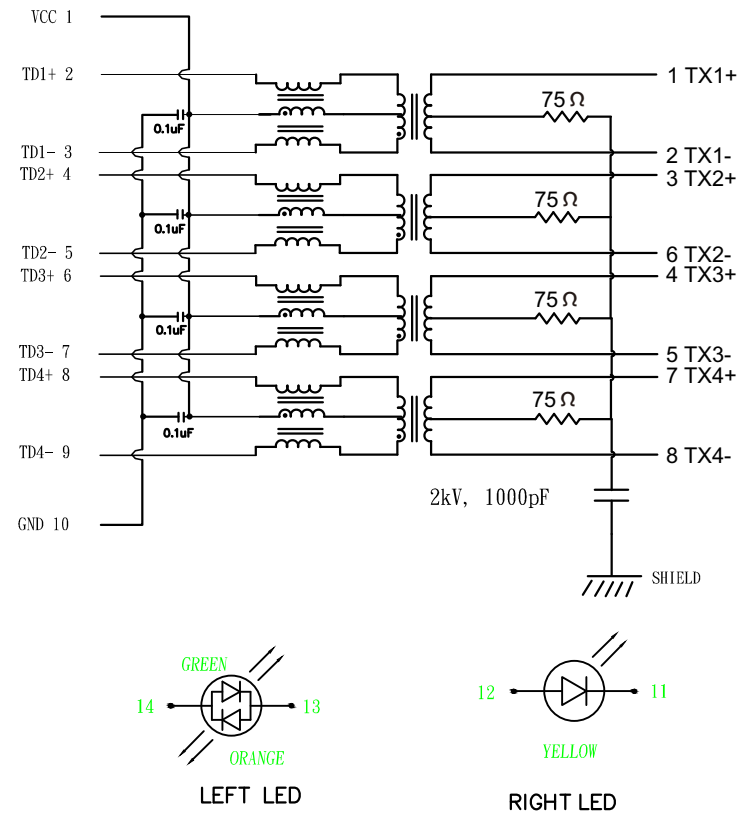
煜倫股份有限公司

www.morethanall.com

# ELECTRICAL SPECIFICATIONS@25°C UNLESS OTHERWISE NOTED:

1. Turn Ratio(+/-2%): 1CT:1CT
2. Inductance OCL: 350uH Min @100KHz/0.1V DC BIAS 8mA
3. Insertion Loss:
  - 1.0dB Max @1.0-100MHz
4. Return Loss:
  - 20dB Min @1-30MHz
  - 16dB Min @30-60MHz
  - 12dB Min @60-80MHz
  - 10dB Min @80-100MHz
5. Cross talk:
  - 40dB Min @1-30MHz
  - 35dB Min @30-60MHz
  - 30dB Min @60-100MHz
6. Common Mode Rejection:
  - 30dB Min @1-100MHz
7. HIPOT TEST: 1000V rms 1mA MAX
8. OPERATING TEMPERATURE RANGE: 0-70°C
9. STORAGE TEMPERATURE RANGE: -40~+80°C

## SCHEMATICS



RoHS Compliant

TOLERANCES ARE

**MORETHANALL**  
PCB CONNECTORS  
Cable ASSEMBLIES

煜倫股份有限公司

www.morethanall.com

DRAWING BY CY

CHECKED BY GENIUS

UNIT / mm

SCALE 1 : 1

DATE

SIZE A4

PPOJECTION

X, ±  
.X ± 0.25  
.XX ± 0.15  
.XXX ± 0.05  
ANG ±

照片框

ORDER INFORMATION

MJF13T110UL-KX06B3GOYX-0808-LF

SERIES

LEADFREE  
8P8C  
LEFT LED / RIGHT LED  
REEN ORANGE / YELLOW  
REAR TAB 3.05mm  
06U" GOLD

BLACK  
NON EAR

DESCRIPTION: