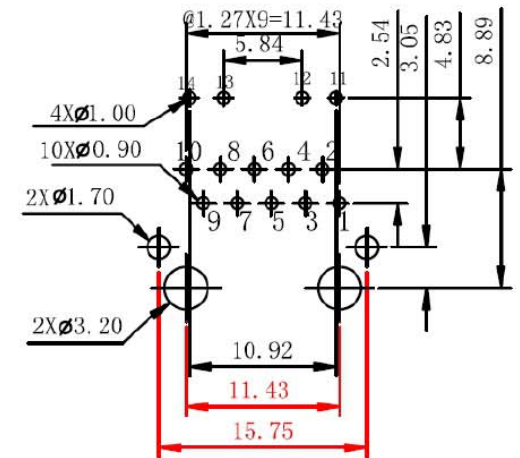
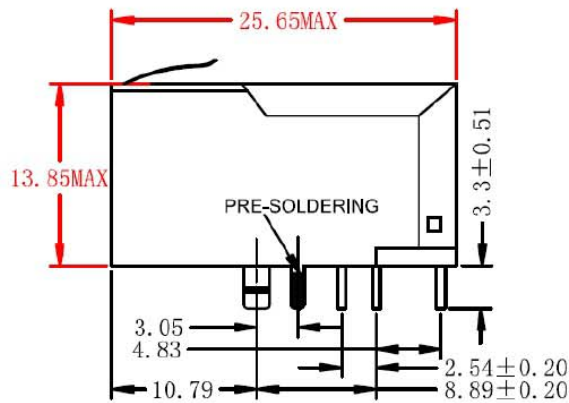
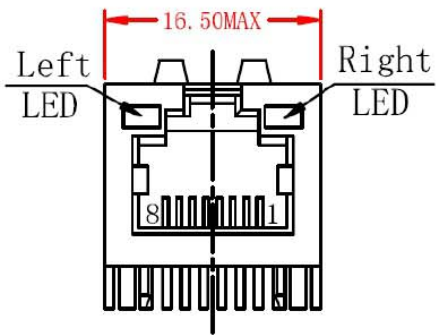


YY:Year WW:Week



PC Board Layout
Component Side Shown

UNIT:mm Unless otherwise specified, all tolerances are ±0.25

RoHS Compliant

TOLERANCES ARE

MORETHANALL
PCB CONNECTORS
Cable ASSEMBLIES

DRAWING BY CY

X.±

CHECKED BY GENIUS

.X±

UNIT / mm

SCALE 1:1

.XX±

DATE

.XXX±

ANG ±

照片框

ORDER INFORMATION

MJF13T110UL-KT06B3GOYX-0808

SERIES

8P8C

LEFT :GREEN,ORANGE / RIGHT:YELLOW

REAR TAB 3.05mm

BLACK

06u" GOLD

TOP SPRING

煜倫股份有限公司

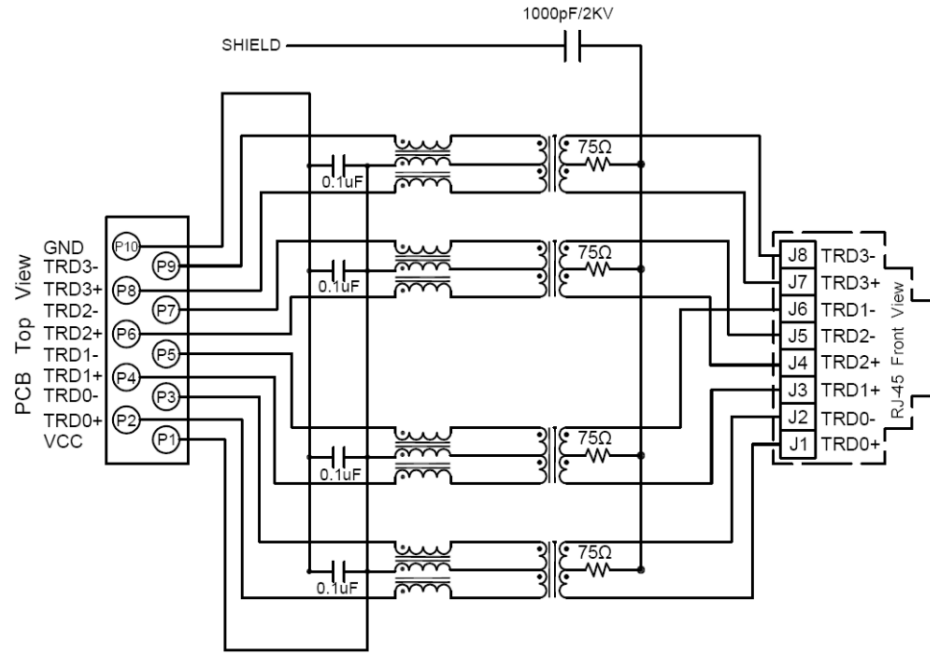
www.morethanall.com

SIZE A4

PJECTION

DESCRIPTION: 1000 BASE-T SINGLE PORT RJ45 JACK MAGNETICS

二、Schematics



Standard LED	Wavelength	Forward *V(MAX)	TYP
Green	565nm	2.4v	2.2v
Yellow	590nm	2.4v	2.1v
Orange	610nm	2.4v	2.1v

With a forward current of 20mA

三、ELECTRICAL SPECIFICATIONS@25°C:

1. Turn Ratio($\pm 5\%$):1CT:1CT
2. Inductance(100KHz/0.1V@8mA):350uH MIN
3. Insertion Loss (dB MAX):-1.0dB(1-100MHz)
4. Return Loss (dB MIN): -18dB(1-30MHz),-16dB(30-60MHz),-12dB(60-80MHz),
-10dB(80-100MHz).
5. Cross talk(dB MIN):-30dB(1-100MHz).
6. CMR (dB MIN):-30dB(1-100MHz).
7. HI-POT(Pri to Sec):1500Vrms or 2250VDC
8. Operating Temperature:0°C TO +70°C
9. RoHS compliance:YES

RoHS Compliant

TOLERANCES ARE

MORETHANALL
PCB CONNECTORS
Cable ASSEMBLIES

煜倫股份有限公司

www.morethanall.com

DRAWING BY CY

CHECKED BY GENIUS

UNIT / mm SCALE 1 : 1

DATE

SIZE A4

X, \pm

.X \pm

.XX \pm

.XXX \pm

ANG \pm

PPOJECTION

照片框

ORDER INFORMATION

MJF13T110UL-KT06B3GOYX-0808

SERIES

8P8C

LEFT :GREEN,ORANGE / RIGHT:YELLOW

REAR TAB 3.05mm

BLACK | 06u" GOLD
TOP SPRING

DESCRIPTION: 1000 BASE-T SINGLE PORT RJ45 JACK MAGNETICS

四、Mechanicals

Housing Material:

MATERIAL:NYLON 66 UL94V-0 STANDARD COLOR:BLACK

Insert Material:

MATERIAL:Phos-Bronze C5210 EH---0.35mm Thickness

Insert -PBT GF UL94V-0

- 1.PLATING(1) NICKEL
- 2.PLATING(2) 100%Sn
- 3.PLATING(3) GOLD (3u " ~50u ")

Plate Material:

PBT GF UL 94V-0

Contact pin Material:

MATERIAL: Phos-Bronze C5191---0.35mm Thickness

- 1.PLATING(1) NICKEL
- 2.PLATING(2) 100%Sn

Shielding Material:

BRASS C2680 PLATING NICKEL

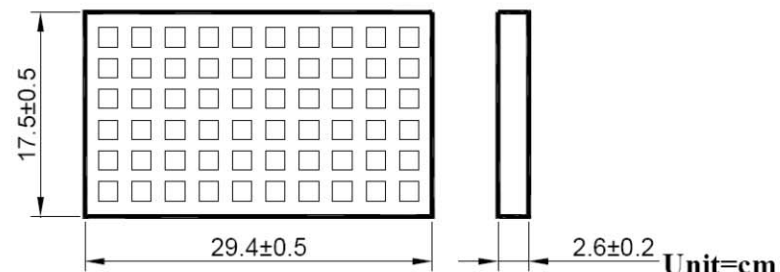
Operating Life:750 Cycles MIN.

五、Environmental

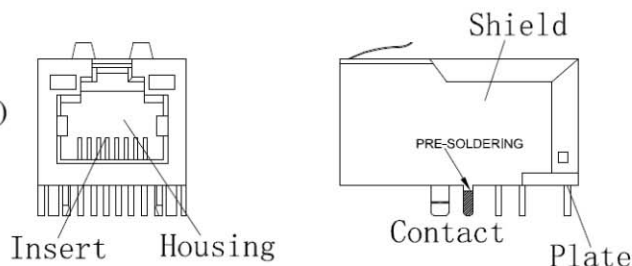
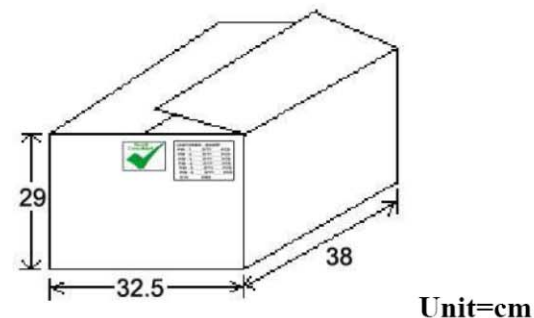
- 1.Storage Temp:-40℃ TO +85℃.
- 2.Operating Temp:0℃ TO +70℃.
- 3.MATES WITH MODULAR PLUG CONFORMING TO FCC PART 68,SUBPART F.

六、Packaging

1. packaging unit : 60 PCS/tray
2. packaging material : PET



3. outer carton unit: 1080 pcs/ 18 Trays/box
4. Weight: 10.0kg per carton



RoHS Compliant		TOLERANCES ARE		照片框
 煜倫股份有限公司 www.morethanall.com		DRAWING BY CY	X.±	
		CHECKED BY GENIUS	.X±	
UNIT / mm	SCALE 1 : 1	.XX±	.XXX±	
DATE		ANG±		
SIZE A4	PJECTION			

ORDER INFORMATION			
MJF13T110UL-KT06B3GOYX-0808			
SERIES			8P8C
BLACK			LEFT :GREEN,ORANGE / RIGHT:YELLOW
			REAR TAB 3.05mm
			TOP SPRING
DESCRIPTION: 1000 BASE-T SINGLE PORT RJ45 JACK MAGNETICS			